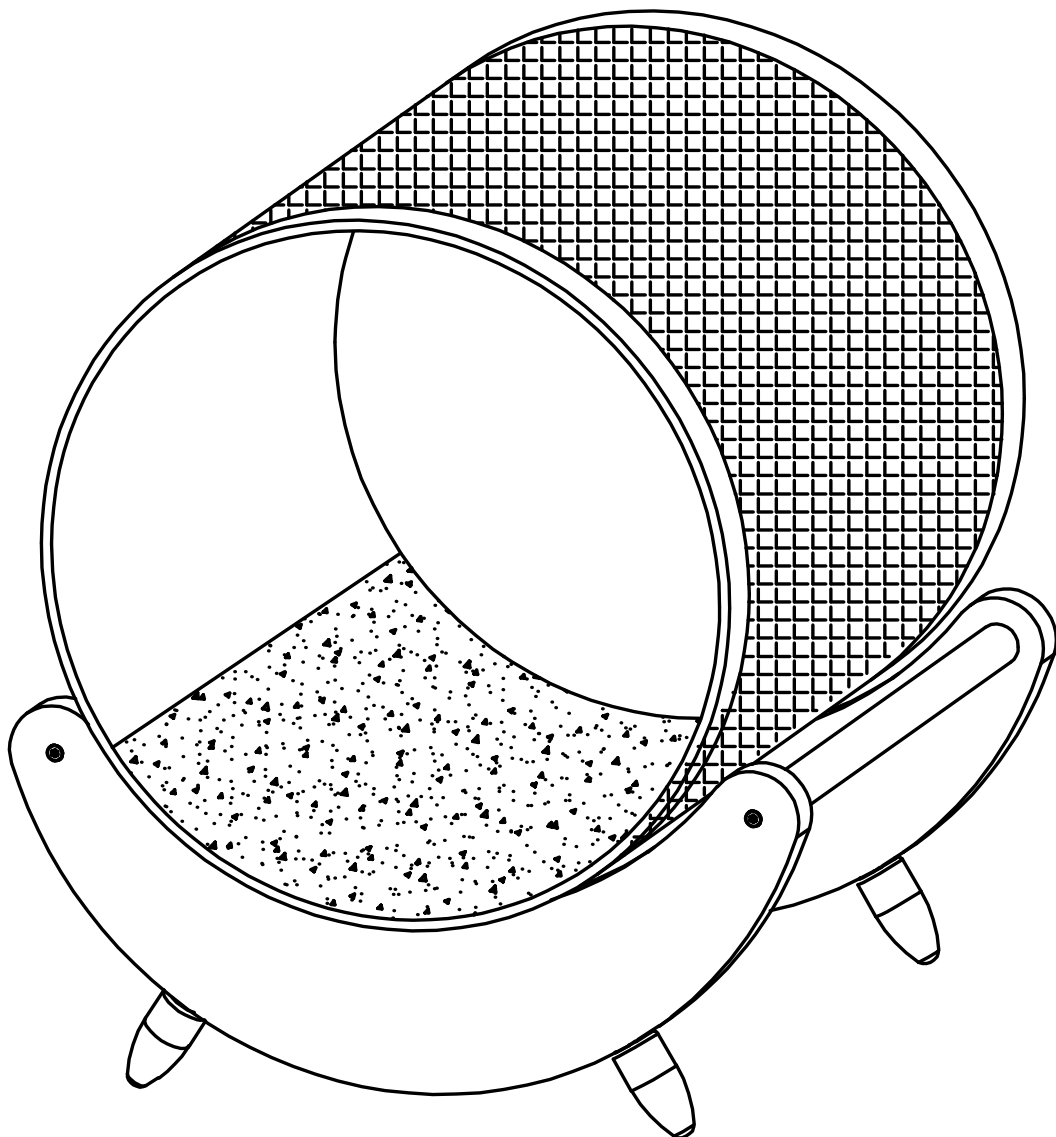


PawHut

INdba066_GL

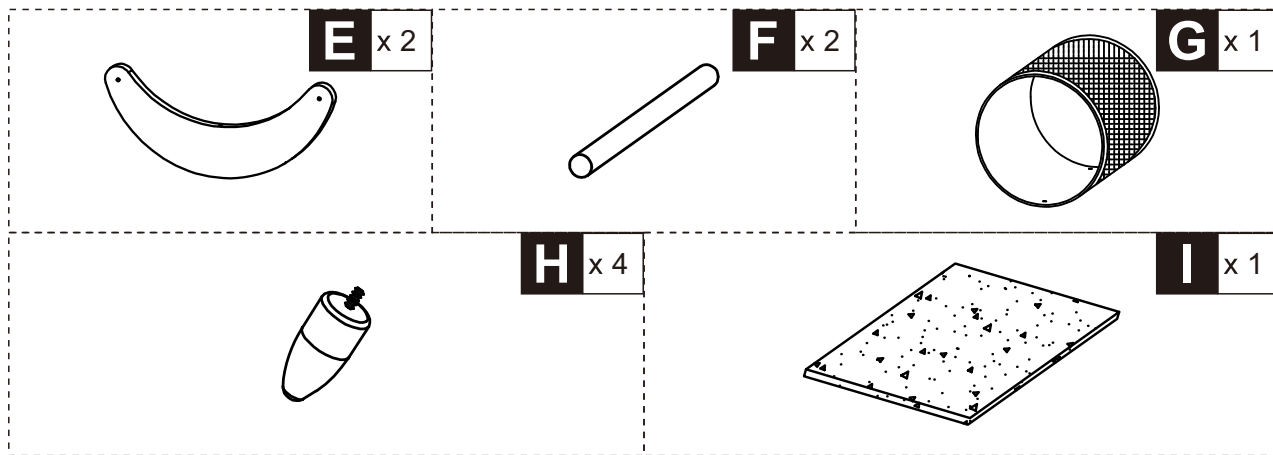
D30-520V01_D30-520V70



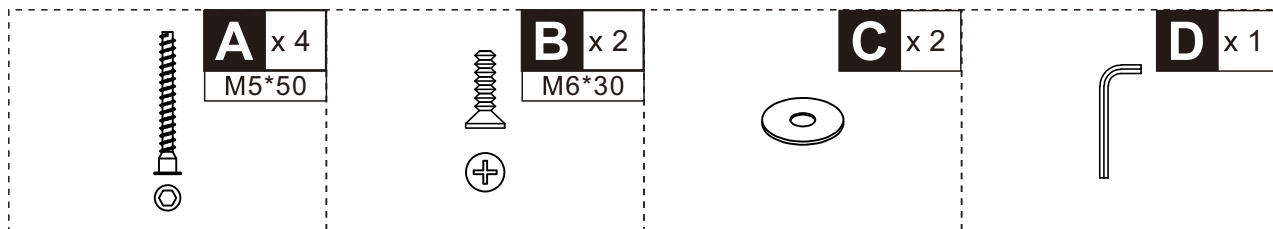
IMPORTANT, RETAIN FOR FUTURE REFERENCE: READ CAREFULLY

ASSEMBLY & INSTRUCTION MANUAL

PARTS

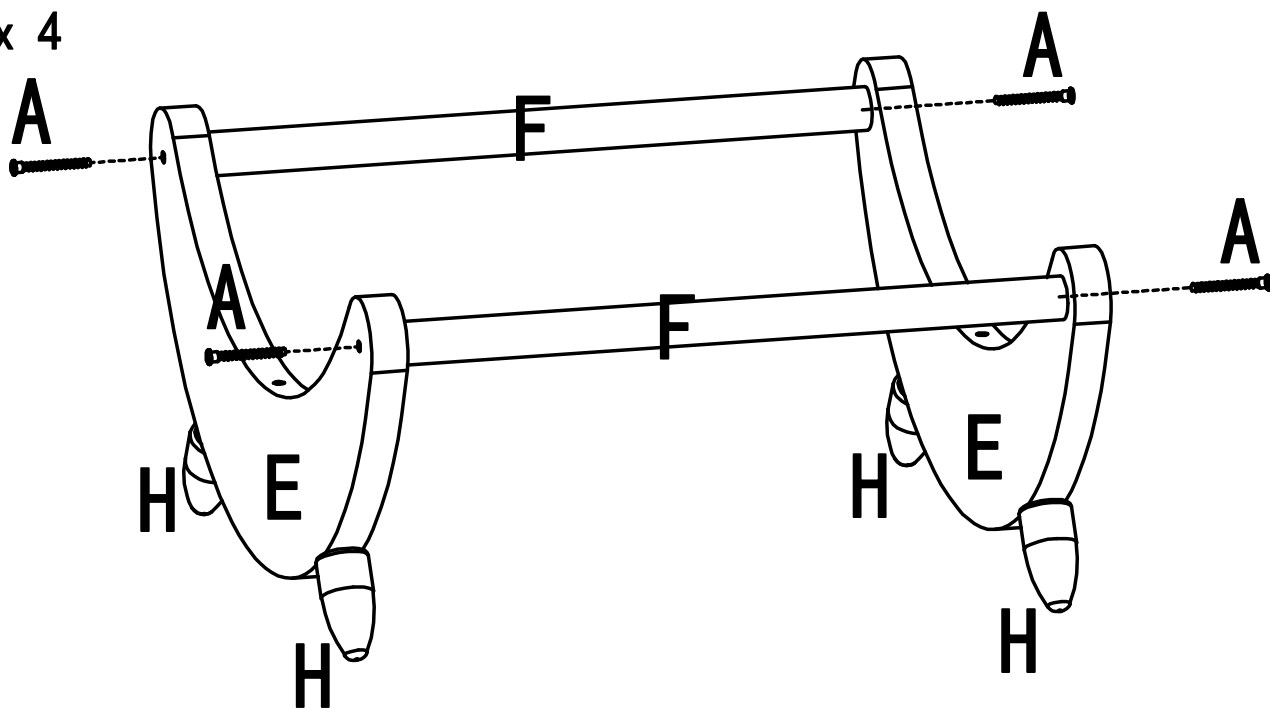


HARDWARE



- A x 4
- E x 2
- F x 2
- H x 4

01



B x 2
C x 2
G x 1
I x 1

