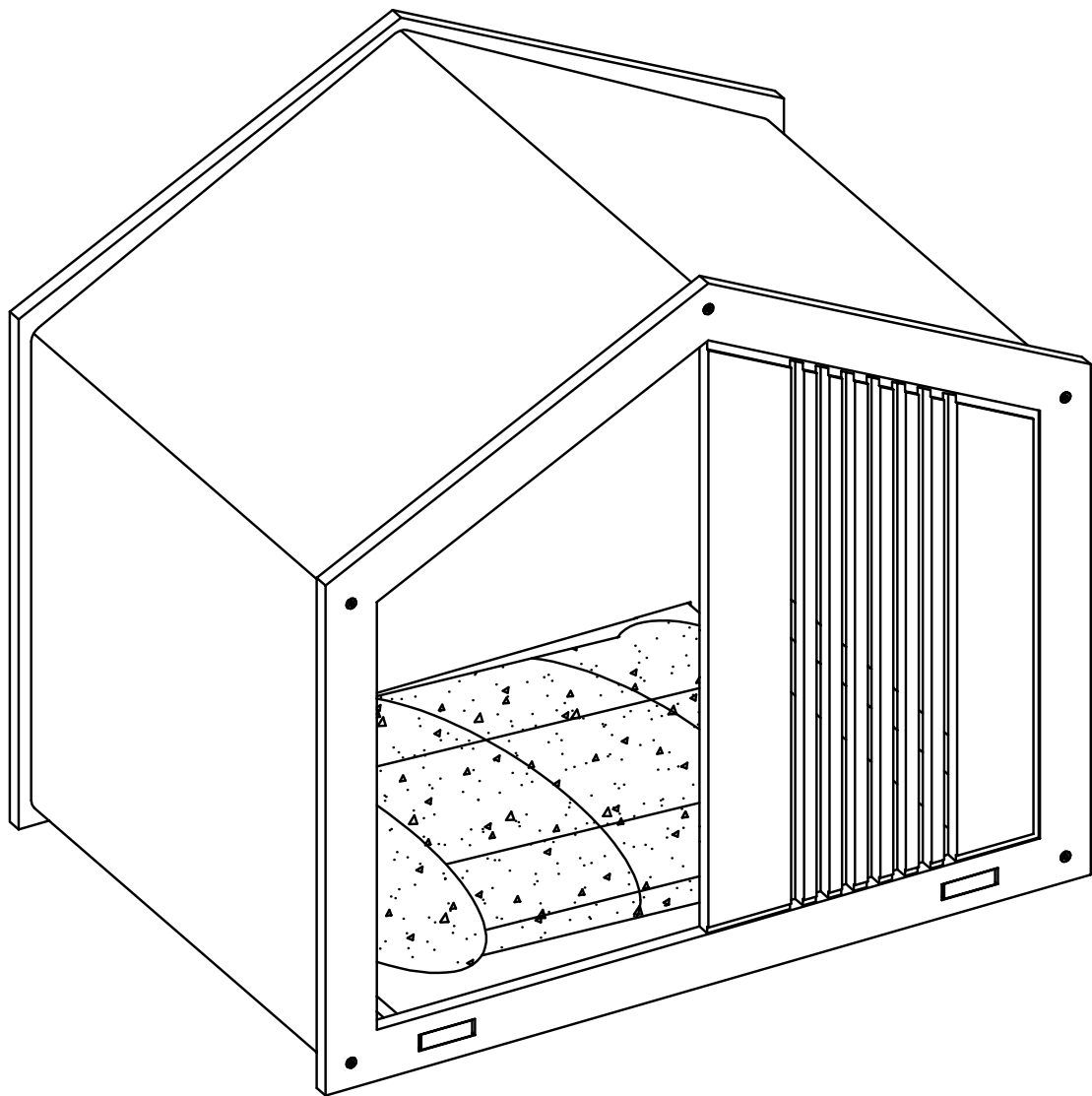


PawHut

INdba068_GL

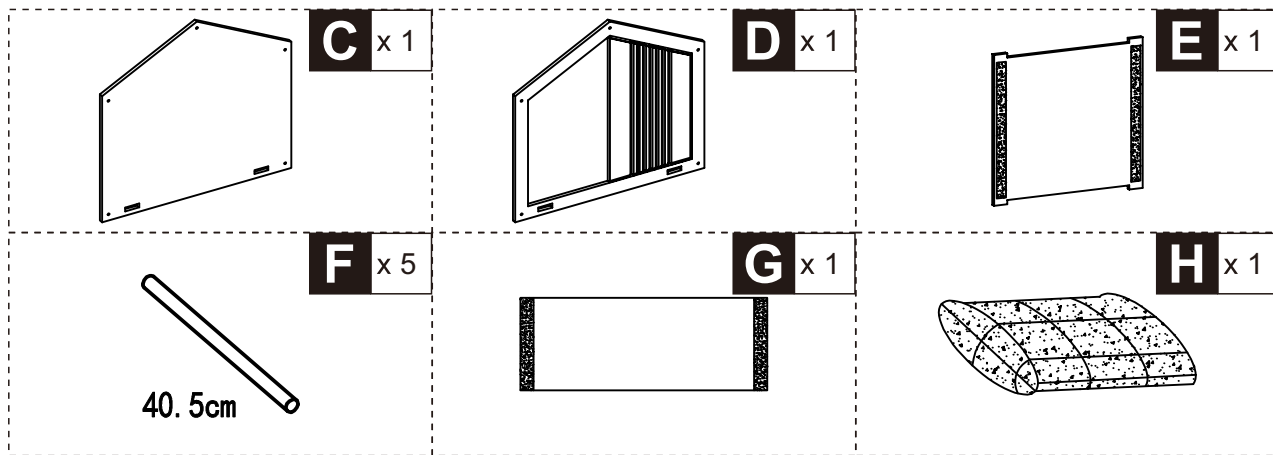
D02-110



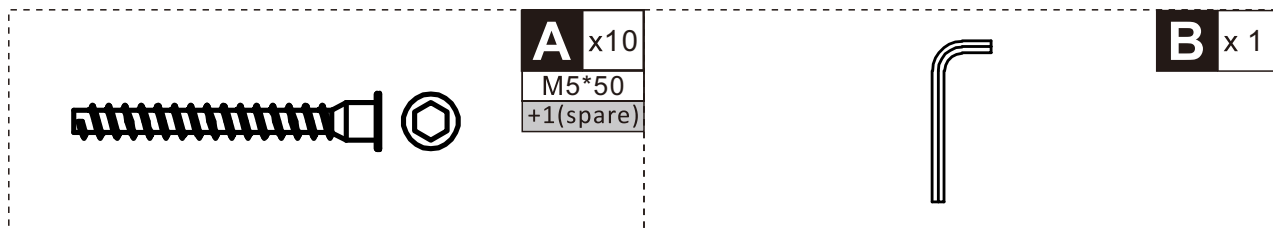
IMPORTANT, RETAIN FOR FUTURE REFERENCE: READ CAREFULLY

ASSEMBLY & INSTRUCTION MANUAL

PARTS

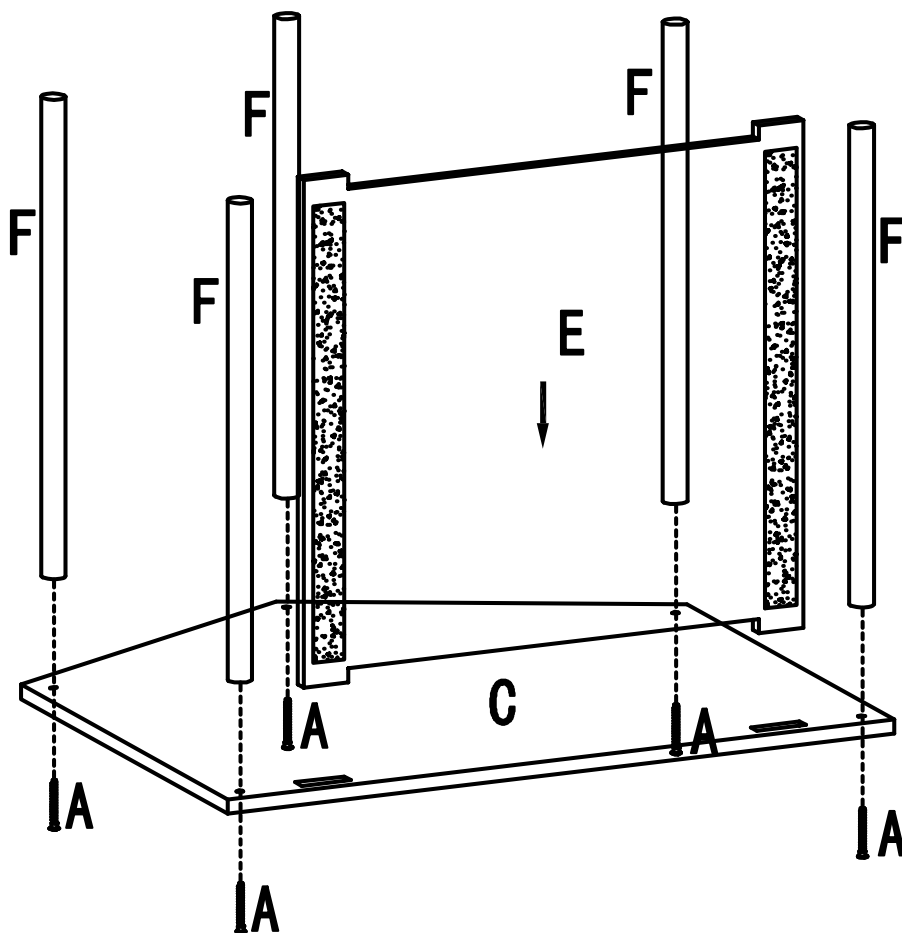


HARDWARE

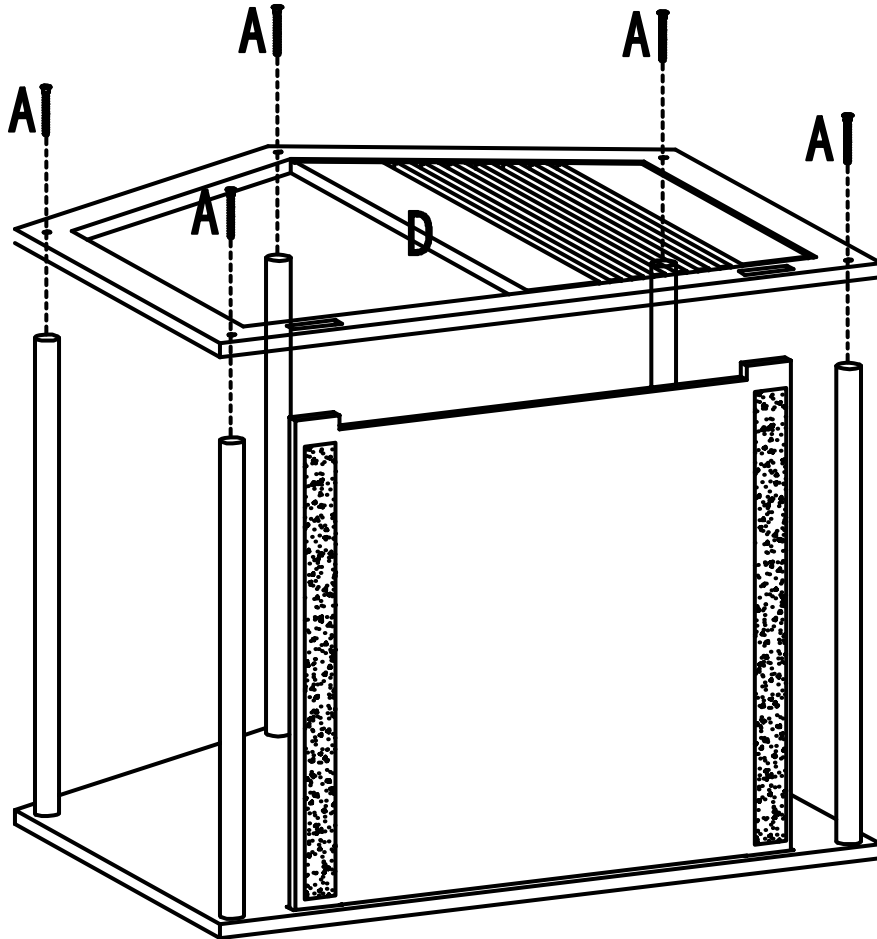


01

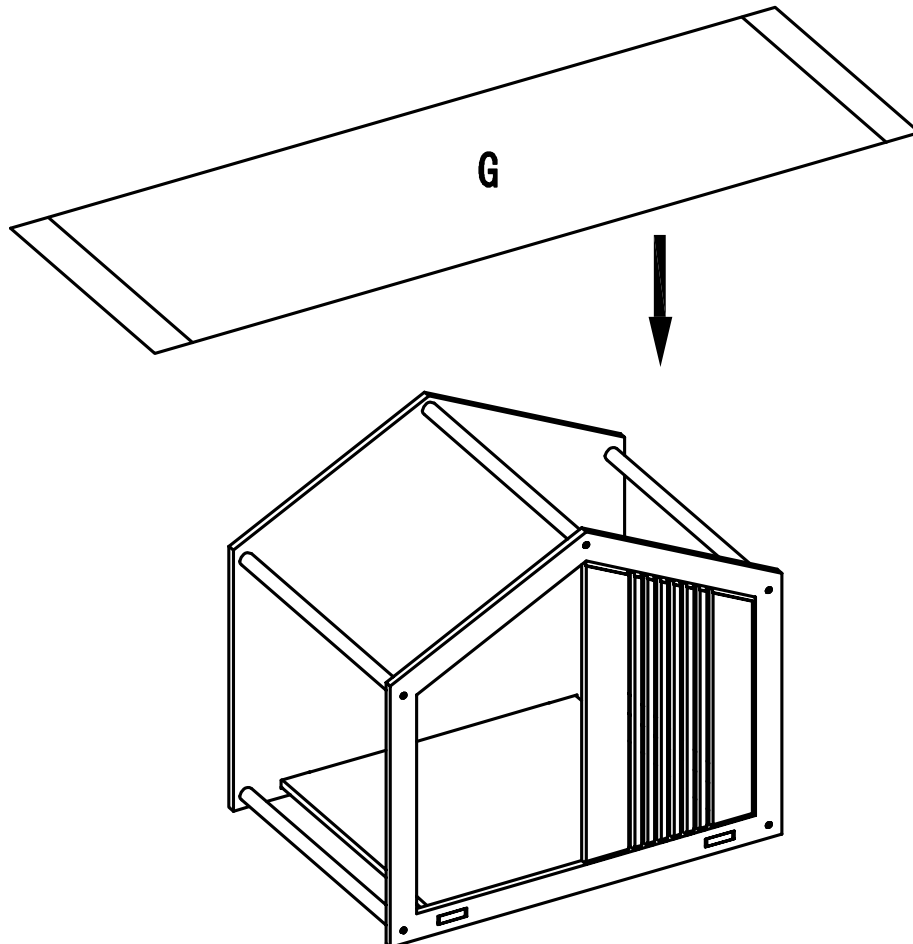
A x 5
C x 1
E x 1
F x 5



A x 5
B x 1

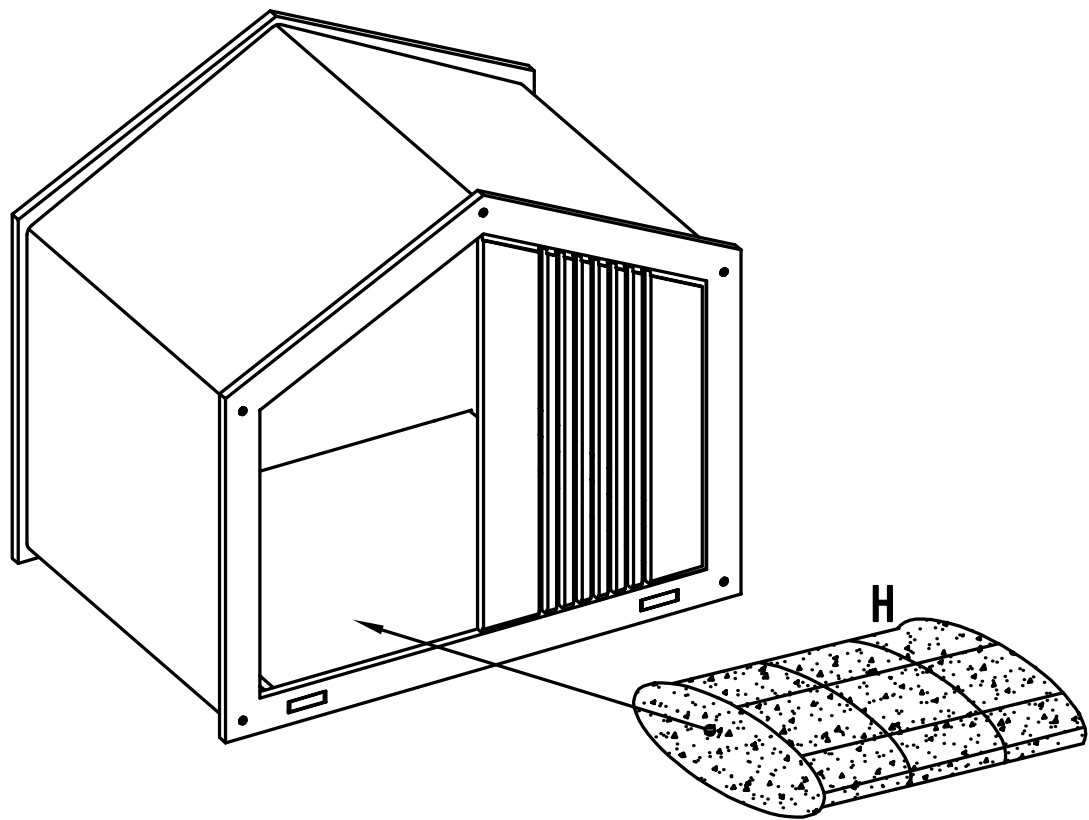


G x 1



H x 1

03



Done

