

# PawHut!










INdbb028V01\_GL

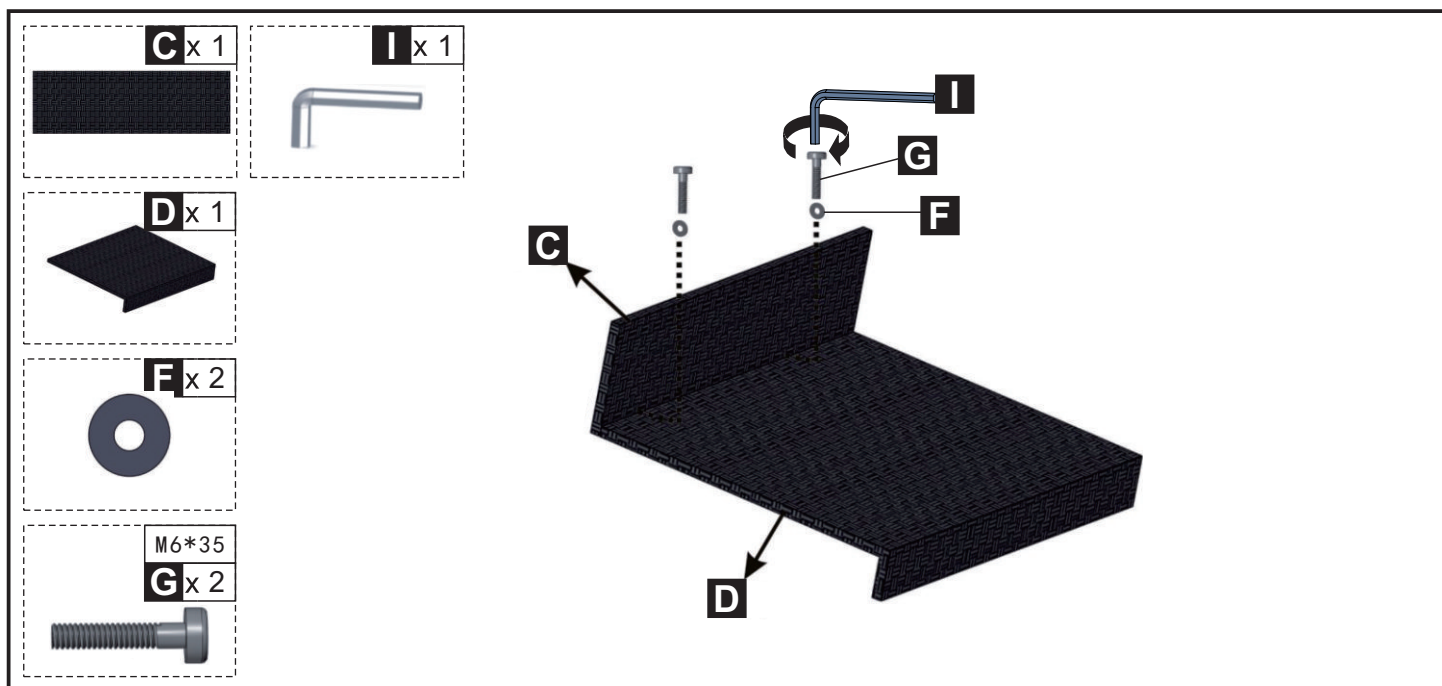
**D02-029**

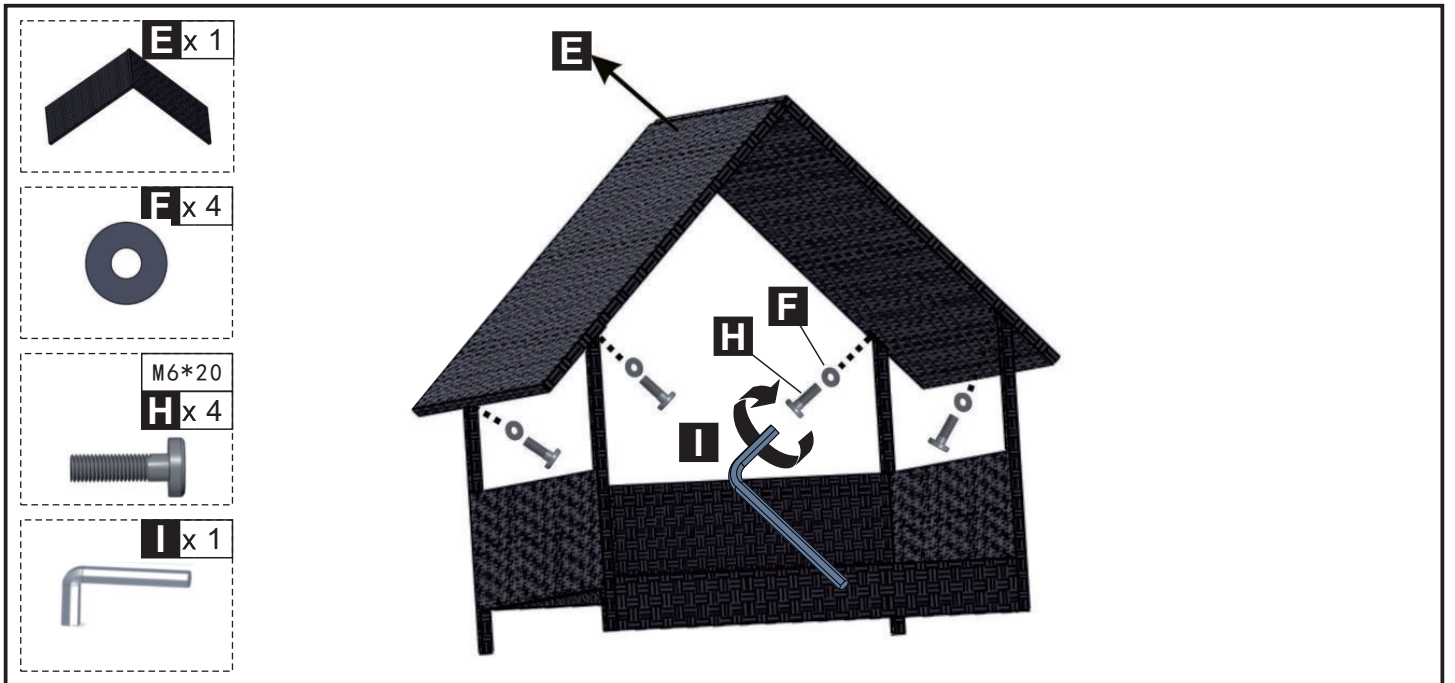
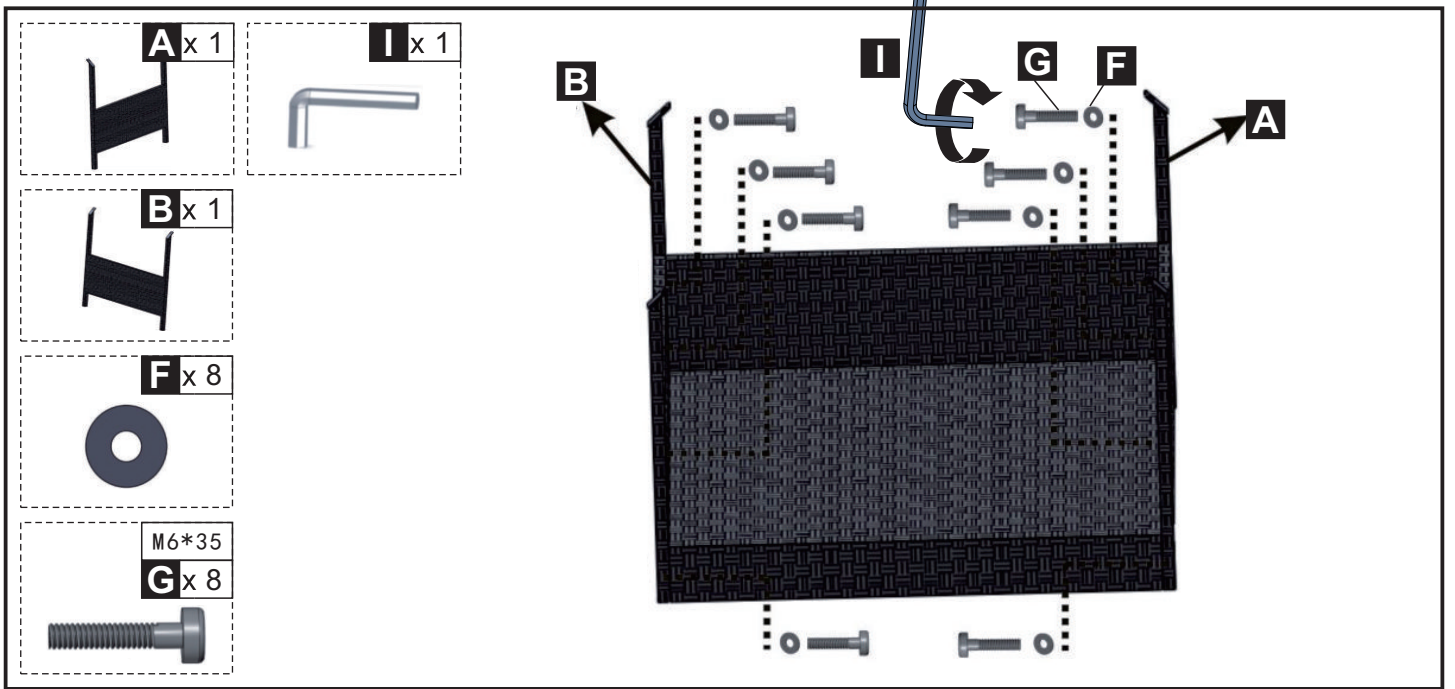


READ AND SAVE THIS INSTRUCTIONS FOR FUTURE USE

## ASSEMBLY & INSTRUCTION MANUAL

<p><b>A</b> x 1</p> 	<p><b>D</b> x 1</p> 	<p>M6*35 <b>G</b> x 10</p> 
<p><b>B</b> x 1</p> 	<p><b>E</b> x 1</p> 	<p>M6*20 <b>H</b> x 4</p> 
<p><b>C</b> x 1</p> 	<p><b>F</b> x 14</p> 	<p><b>I</b> x 1</p> 





US



001-877-644-9366  
customerservice@aosom.com

CA



001-855-537-6088  
customerservice@aosom.ca

UK



0044-800-240-4004  
enquiries@mhstar.co.uk

DE



0049-(0)40-88307530  
service@aosom.de

FR



0033-1-84166106  
contact@aosom.fr

ES



0034-931294512  
atencioncliente@aosom.es

IT



0039-0249471447  
clienti@aosom.it