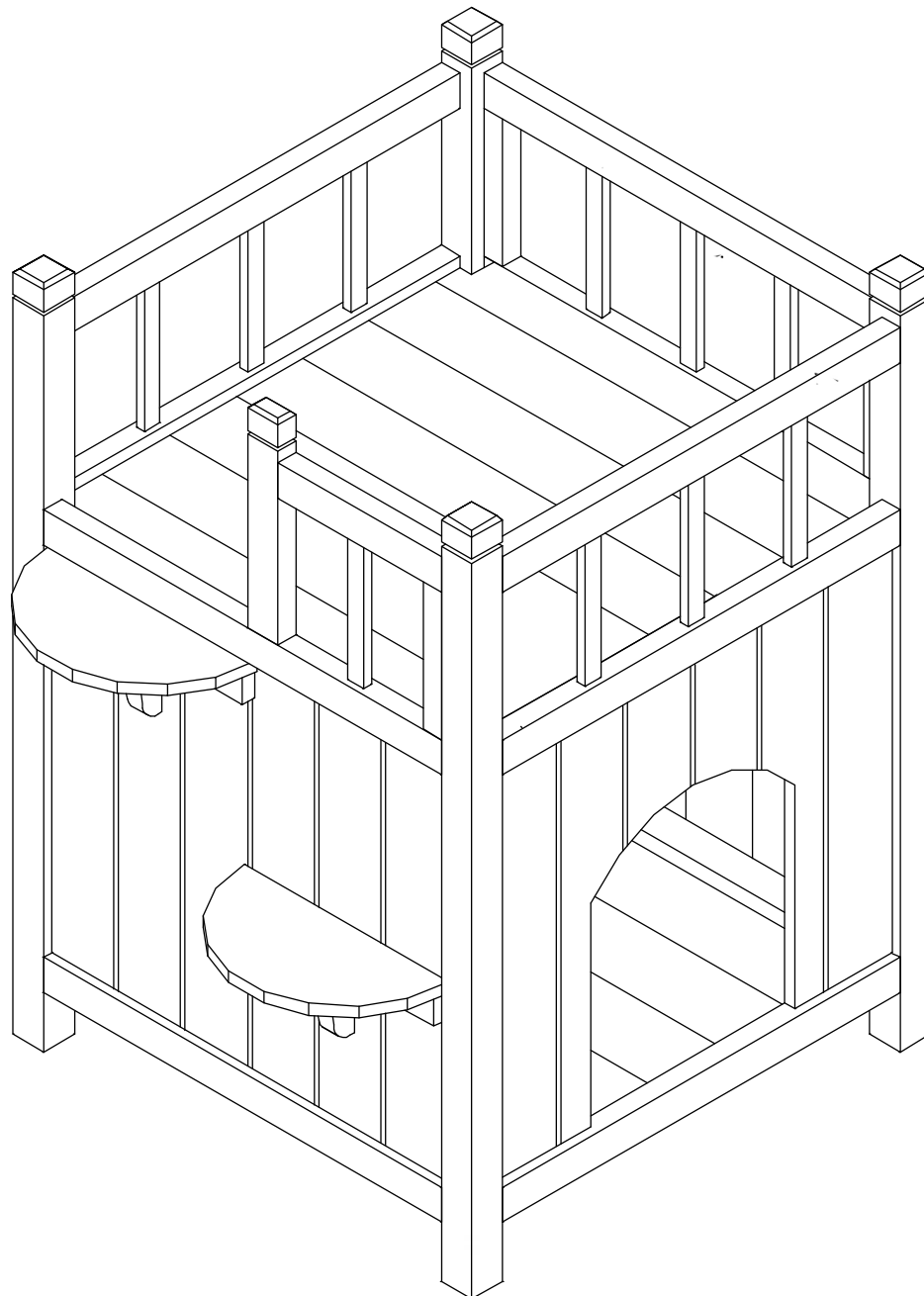


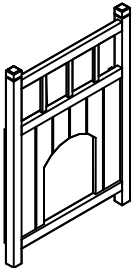
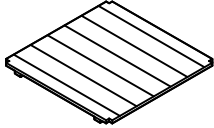
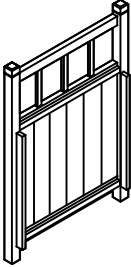
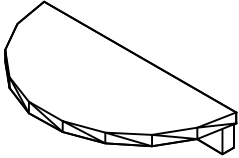
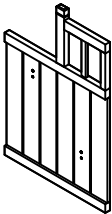
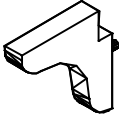
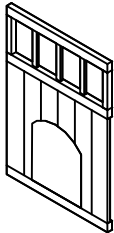
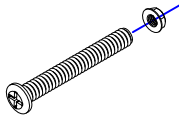
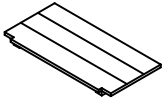

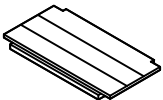


# PawHut®

D30-232



Please read these instructions and warranty information carefully before use and keep them properly for future reference.

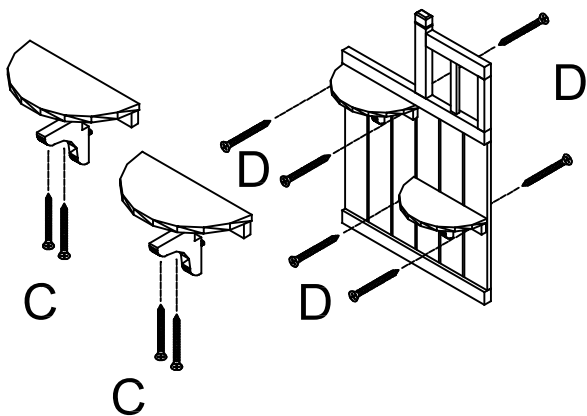
OPERATING INSTRUCTIONS

1		1PC	7		1PC	
2		1PC	8		2PCS	
3		1PC	9		2PCS	
4		1PC	A	 M6X30mm	8PCS	
5		1PC		B	 3.5X45mm	3PCS
6		1PC		C	 3X28mm	4PCS
			D	 3X18mm	6PCS	

**1** Screw the two steps (8) to the holder (9).  
Then fix them to the left side panel (3).

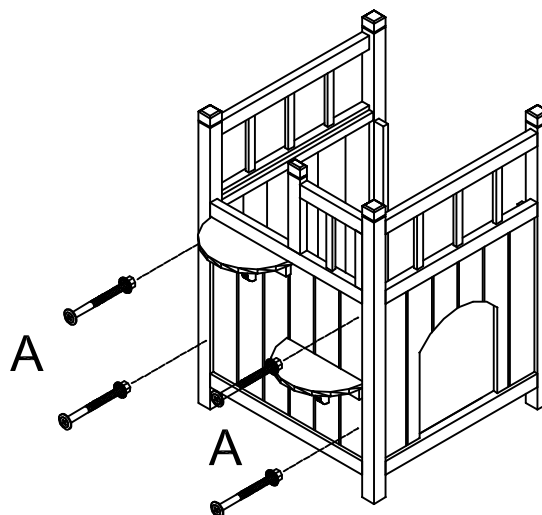
C 3\*28 4pcs

D 3\*18 6pcs



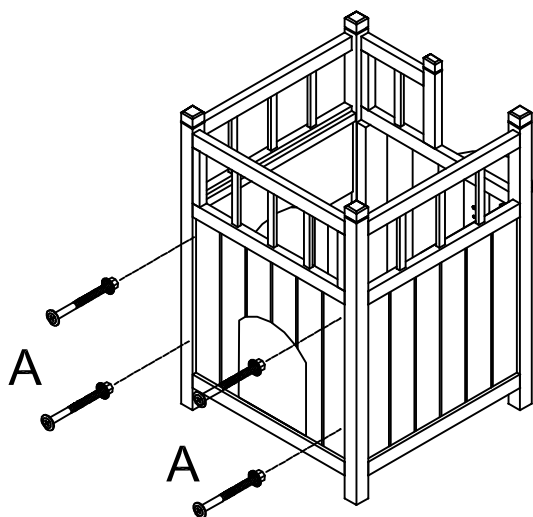
**2** Fix the front part (1) and the back wall (2)  
to the left side panel (3).

A M6\*30 4pcs



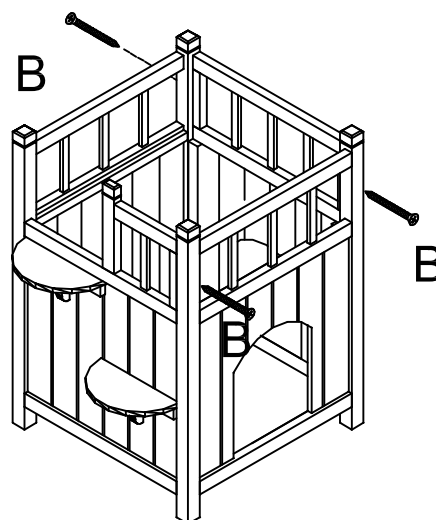
**3** Now fix the right side panel (4).

A M6\*30 4pcs

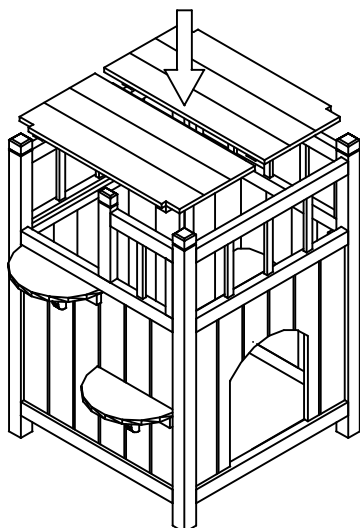


**4** For a better stability of the railing add some  
screws.

B 3.5\*45 3pcs



**5** Insert the two lower floor parts (5/6).



**6** Finally insert the upper floor (7).

