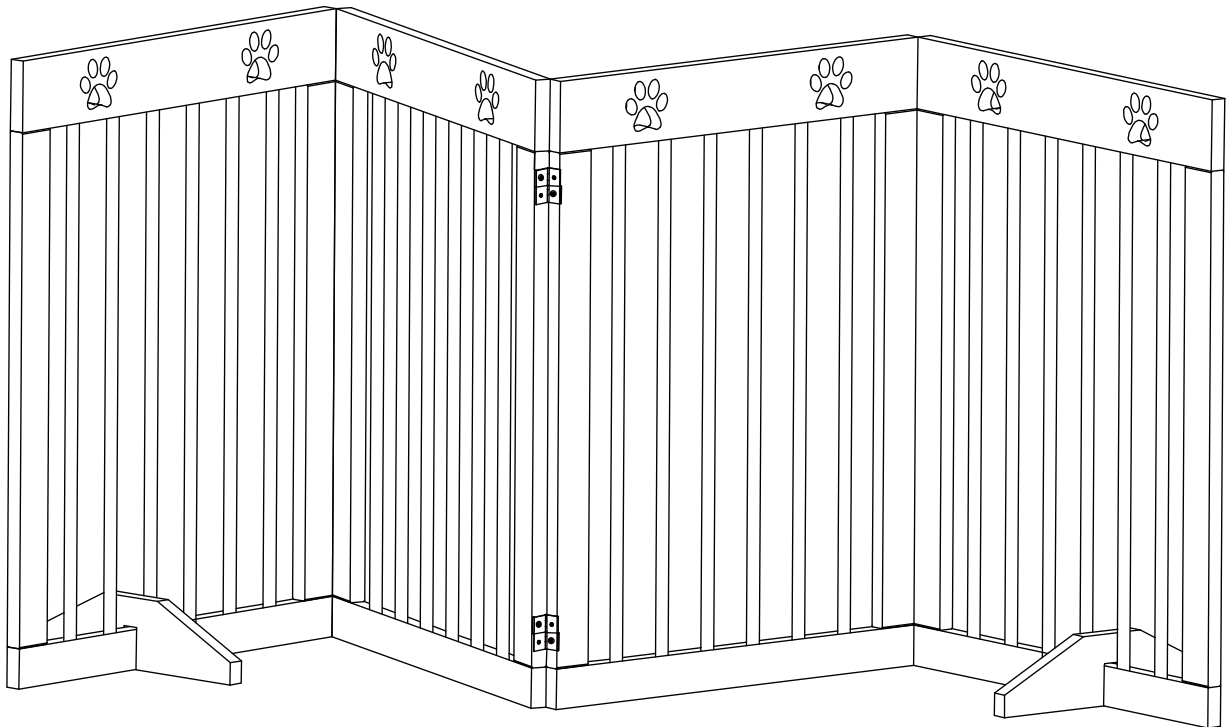


# PawHut

INdbb062V01\_GL

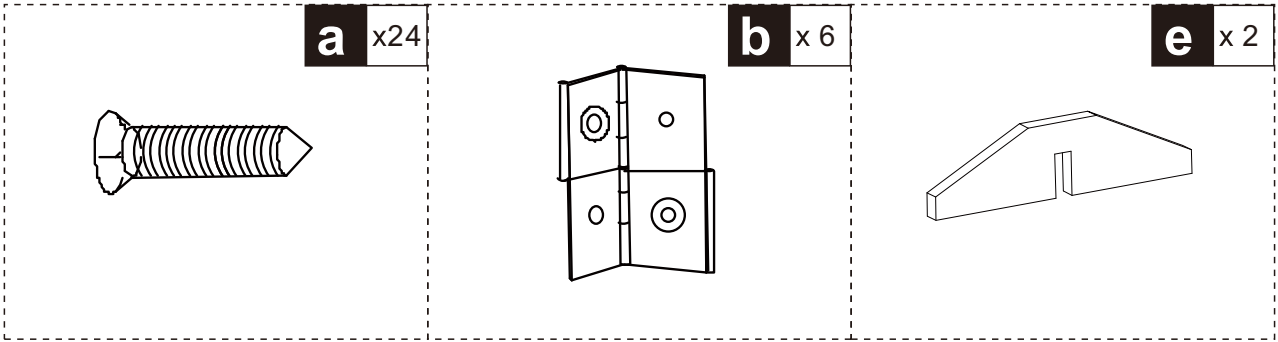
**D06-084\_D06-085**



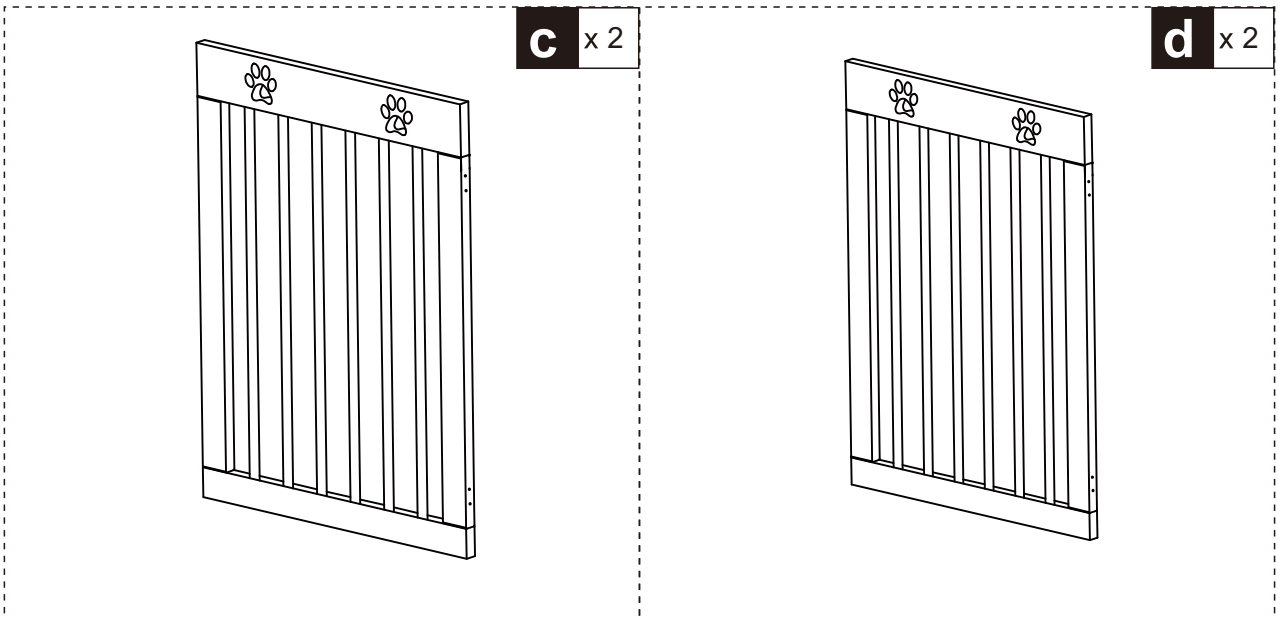
**IMPORTANT, RETAIN FOR FUTURE REFERENCE: READ CAREFULLY**

## ASSEMBLY & INSTRUCTION MANUAL

**HARDWARE**



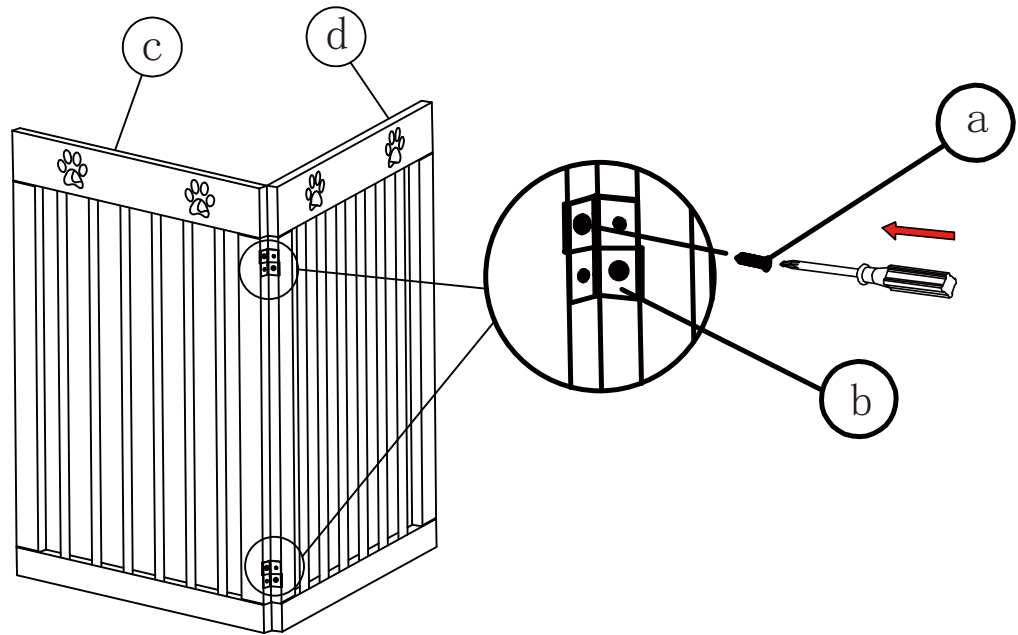
**PARTS**



**01**

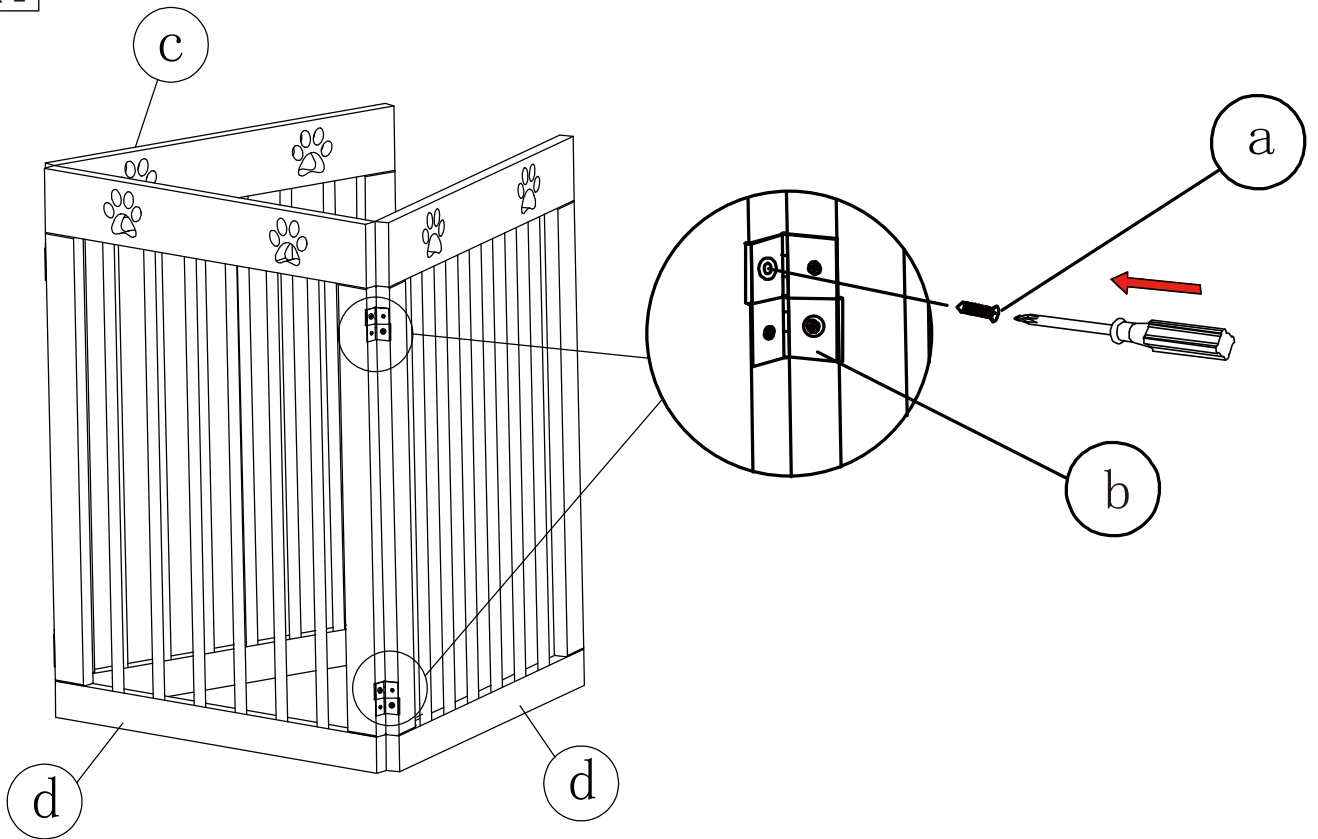
**a** x8

**b** x2



a x 8

b x 2



a x 8

b x 2

