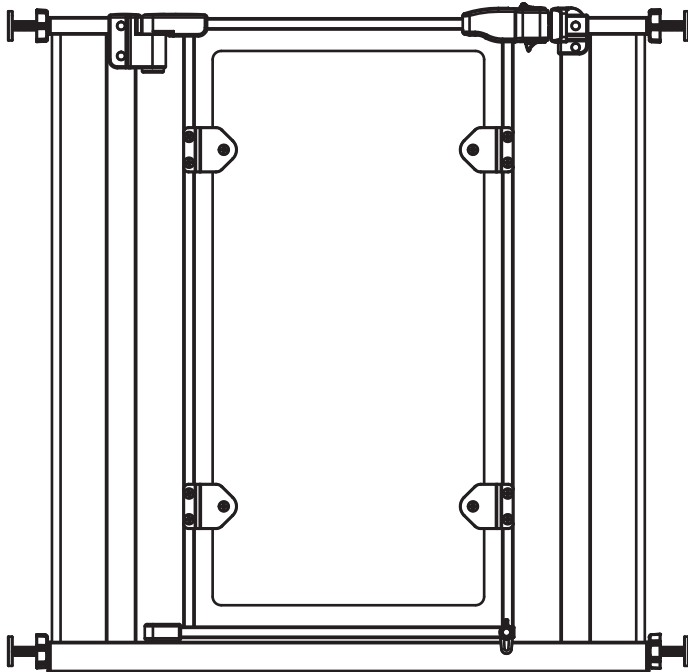


PawHut

INdbb065V01_UK

D06-098_D06-146_D06-147



IMPORTANT, RETAIN FOR FUTURE REFERENCE: READ CAREFULLY

ASSEMBLY & INSTRUCTION MANUAL

BEFORE USING PRODUCT

IMPORTANT

- Improper installation could result in the gate becoming unstable or dislodged from the doorway.
- Base locks are to be used at all times, on both sides of the gate.
- This product will not necessarily prevent all accidents.

Check the gate regularly to see if all the hardware and mountings are tightened.

- Do not use if any components are missing or damaged.
- STOP using when a pet can climb over or dislodge the gate.
- Additional or replacement parts should only be obtained from the manufacturer or distributor.



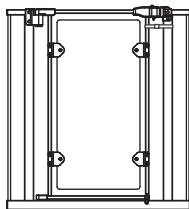
WARNING

Children have died or been seriously injured when gates are not securely installed.

- ALWAYS install and use gates as directed using all required parts.
- YOU must install wall cups to keep gate in place. Without wall cups, child can push out and escape.
- STOP using when a child can climb over or dislodge the gate.
- USE only with the locking mechanism securely engaged.
- NEVER use to keep child away from pool.

- NEVER leave child unattended.
- Intended for use with children between 6 and 24 months. • Install according to manufacturer' s instructions.

A x 1



B x 4



C x 4

D x 6
M4*25

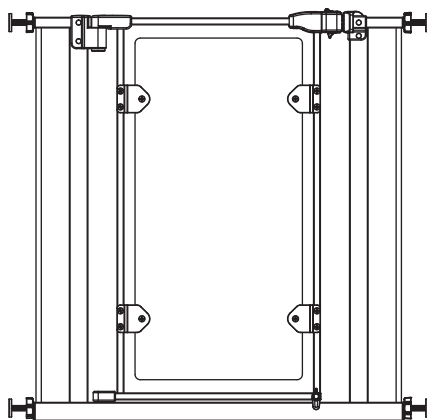
E x 1



F x 4



MEASURE THE WIDTH OF THE DOORWAYS



No EXTENSION
74cm(29in) - 79cm(31in)

INSTALLING YOUR GATE

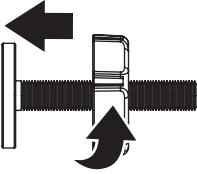


Figure 1-1

Locate the (4) threaded spindle rods (B). Rotate the adjustment wheels along the threading, eliminating the gap between the adjustment wheel and the rubber foot (Figure 1-1).

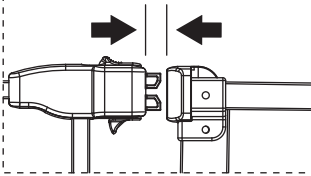


Figure 1-2

NOTE You may notice a slight gap between the gate door latch and the frame (Figure 1-2).

THIS IS NOT A DEFECT this gate is a pressure mounted gate and this gap will disappear once you tighten the gate in its opening.

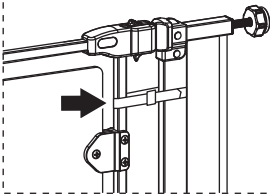


Figure 1-3

DO NOT REMOVE THE ZIP TIE UNTIL INSTALLATION IS COMPLETE.

(Figure 1-3)

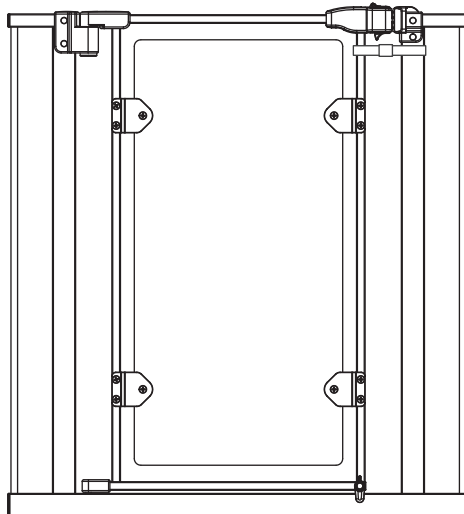
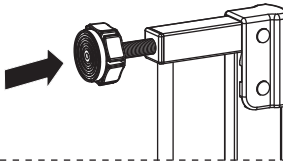
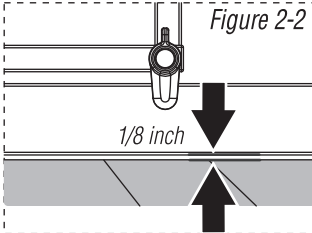


Figure 2-1



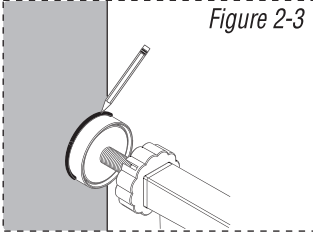
Insert the threaded spindle rods with adjustment wheels into the hole on all four corners of the sides of the gate. (Figure 2-1)

Figure 2-2



Place the gate in desired opening with the bottom close to the floor. The distance between the bottom of the gate and the floor should be less than 1/8 inch (Figure 2-2).

Figure 2-3



Once you are satisfied with the placement of your gate trace the spindle rods rubber feet onto the surface of your opening making sure these are level (Figure 2-3). Then remove the gate from the opening. Then screw the 4 wall cups to the wall using the screws (Figure 2-4), or paste the 4 wall cups using the stickers provided (Figure 2-5).

Figure 2-4

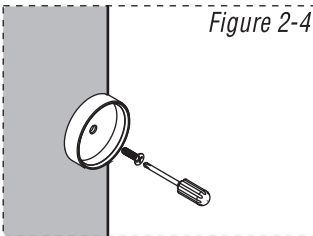


Figure 2-5

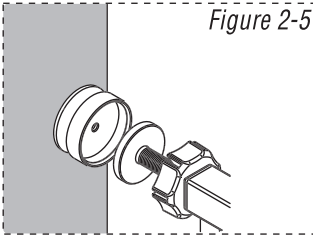


Figure 3-1

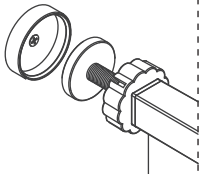


Figure 3-2

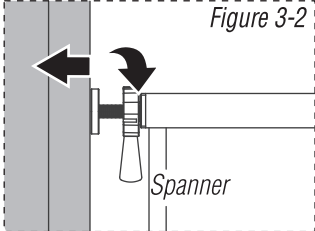


Figure 3-3

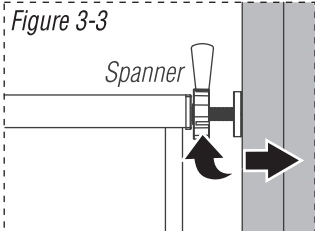


Figure 3-4

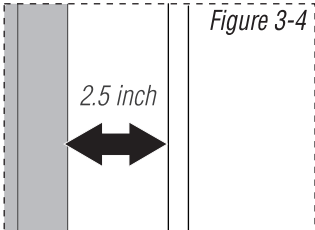


Figure 3-5

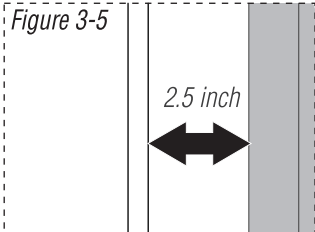
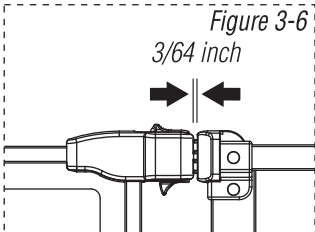


Figure 3-6

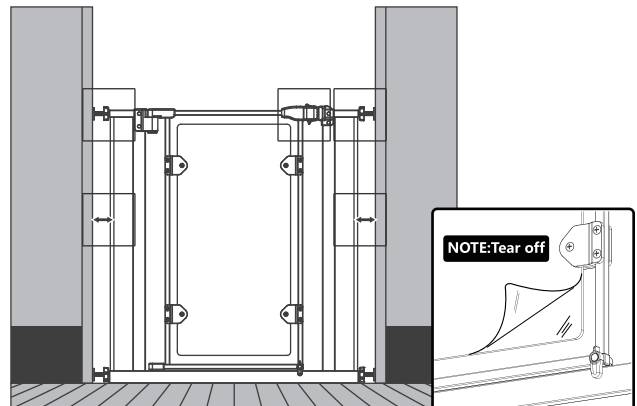


Insert all 4 threaded spindle rods into the wall cups (Figure 3-1). Tighten the wheels using the spanner tool. (Figure 3-2 and Figure 3-3) Do not over tighten. It may be necessary to hold the threaded spindle rods while rotating the adjustment wheels to ensure that the entire unit does not rotate while installing the gate.

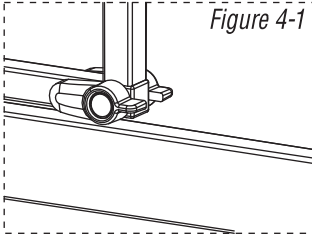
NOTE If your door latch is not properly engaging with the receiving component, ensure that your gate is level, mounted properly and that you have not over-tightened the adjustment wheels.

NOTE The gap between the gate and the wall should not exceed more than **2.5 inch** on either side (Figure 3-4 and 3-5)

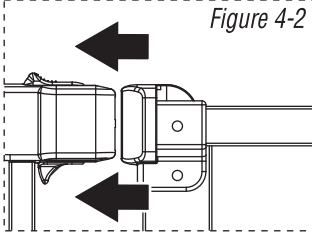
If the gate has been installed properly the gap between the door latch and frame should now be closed (Figure 3-6)



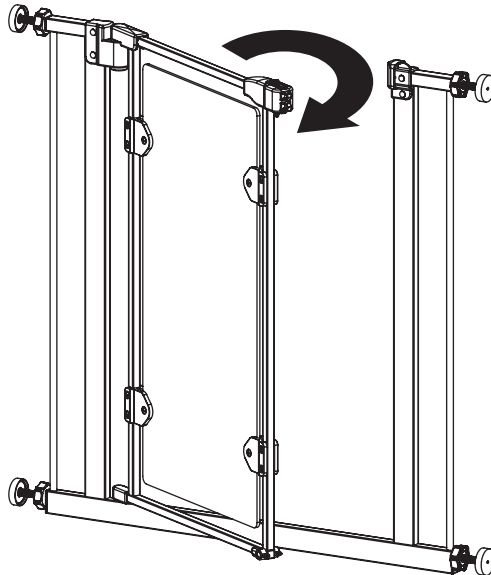
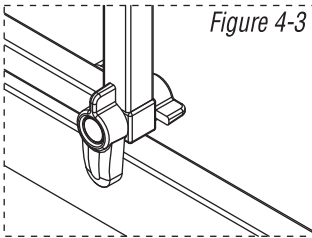
OPERATING THE DOOR LATCH



To Open - Ensure that the base locks at the bottom of the gate door are in the horizontal position, (Figure 4-1) then slide the top and bottom levers toward the door and swing open. (Figure 4-2)

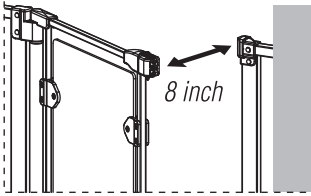


To Close - Pull the door shut and ensure that the door latch on top closes and then place the lock at the bottom of the gate down on the side occupied by the child, Gate will swing both ways unless one of the swing stops is down. Gate will not swing at all if both swing stops are down.(Figure 4-3)



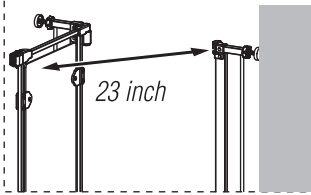
AUTO CLOSE LOCK

Figure 5-1



Once the gate is opened, it can close up automatically and lock up.

Figure 5-2

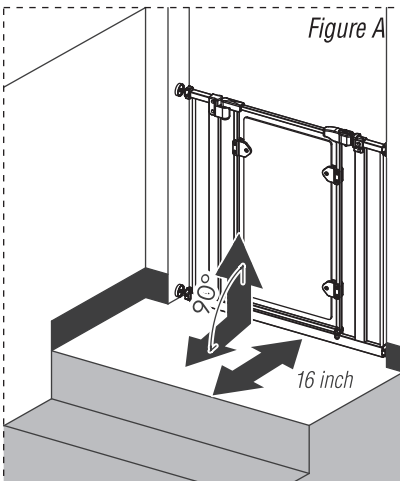


When the opening width of the gate is **8 inch**, the gate has the function of Automatic Closing (Figure 5-1).

NOTE When the gate opening width is greater than **23 inch**, the gate will be normally open. (Figure 5-2)

USE AT THE TOP OF STAIRS

Figure A



If the gate is used at the top of stairs, we recommend the safe distance to the 1st step is at least 16 inch. (Figure A)

Using the wall cups will affix your gate more firmly in the doorway or opening.

REMOVING YOUR GATE FROM THE WALL

To remove your gate from the wall, rotate the adjustment wheels on each of the (4) threaded spindle rods to depressurize the gate from its doorway or opening. Then, gently pull or push the gate free from its doorway or opening.

CARE AND MAINTENANCE

Periodically check the gate for signs of damage, wear, or missing components.

Do not use if any part is missing, worn or damaged.

Check the gate regularly to ensure all the hardware and mountings are tightened. Do not use abrasive cleaners or bleach.

Clean by sponging with warm water and a mild detergent.