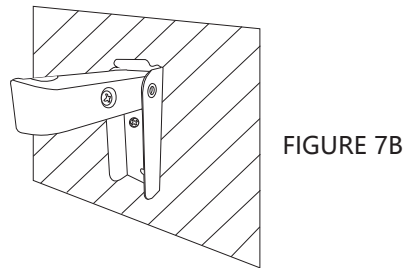


WALL MOUNTING

STEP 1

INSTALL WALL MOUNT BRACKETS TO WALL

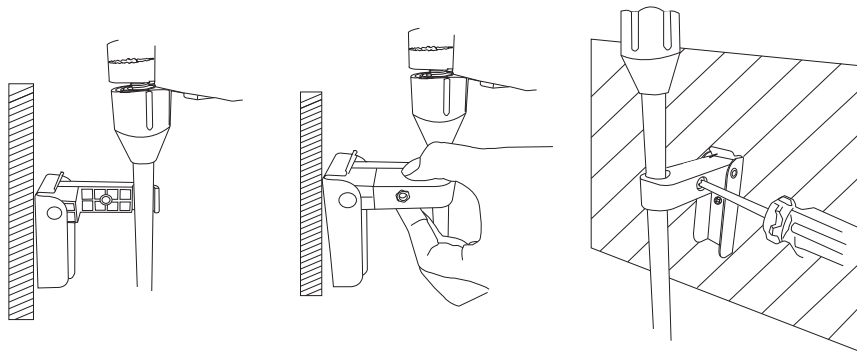
Locate the mounting template vertical to the floor and mark the screw holes. Drill holes on the wall.(FIGURE 7A) Insert the plastic expansion tubes(F) into the holes.Assemble the wall mount bracket(D) to the wall. (FIGURE 7B)



STEP 2

ATTACH THE METAL ROD TO THE WALL MOUNT BRACKET

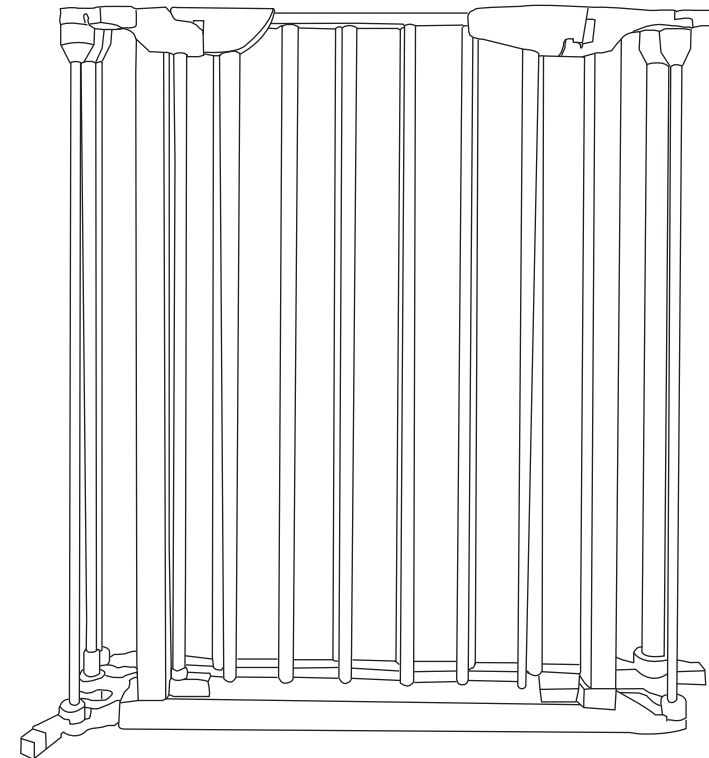
Use crosshead screwdriver to unscrew the screw on the side of wall mount bracket(B), detach the plastic cover, and attach it to the metal rod, cover the plastic cover and tighten the screw again.



INdbb069_UK_D06-100_D06-100V01

Safety Gate

INSTALLATION MANUAL



Thank you for your purchase.

If you have difficulty with assembly or find a part is missing or damaged, please don't hesitate to contact us for solution.

Bonilo Customer Service team will work hard to put a smile back on your face.

Here is how we can connect:

Before Using Product

Read and follow all instructions carefully to ensure that your gate and extensions are properly installed. Improper installation could result in the gate becoming unstable or dislodged from the doorway. Always make sure the extension is securely attached to the gate before using. The safety of your child is your responsibility. Please keep these instructions for your reference.

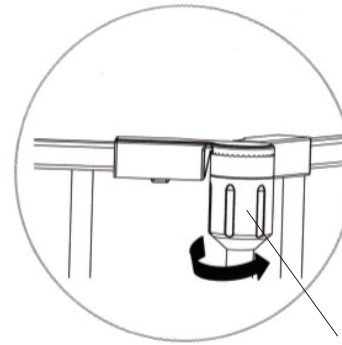
IMPORTANT

- The four mounting brackets must be used in securing the gate to the wall. These brackets prevent the gate from dislodging from its opening and becoming unstable.
- If hardware mounting to a surface other than drywall or wood, please consult with a professional about installation.

WARNING

- TO PREVENT SERIOUS INJURY OR DEATH, SECURELY INSTALL GATE AND USE ACCORDING TO MANUFACTURER'S INSTRUCTIONS.
- NEVER USE WITH A CHILD ABLE TO CLIMB OVER GATE OR DISLodge/OPEN THE GATE.
- THIS PRODUCT WILL NOT NECESSARILY PREVENT ALL ACCIDENTS.
- KEEP AT LEAST 2 FEET FROM OPEN FLAME OR HEAT SOURCE.
- NEVER LEAVE CHILD UNATTENDED.
- USE ONLY WITH THE LOCKING/LATCHING MECHANISM SECURELY ENGAGED AND ON SIDE AWAY FROM CHILD.
- THIS PRODUCT INTENDED FOR USE WITH CHILDREN FROM 6 MONTHS UP TO 24 MONTHS OF AGE.
- HARDWARE IS INCLUDED FOR USE IN SOLID MATERIAL ONLY, SUCH AS WOOD OR METAL.

STEP 3



TO SECURE GATE PANELS

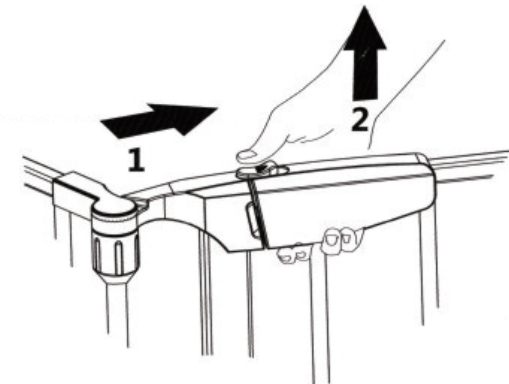
Turn the knob counter clockwise until they are hand tight.

Locking Knob

STEP 4

TO OPEN THE DOOR

1. Push the door release button backward.
 2. Lift the door panel upward.
 3. Swing door open and release button.
- Note: If you open the door past 90 degrees, it will stay open.



STEP 1

NOTE: When adding a panel, please check to make sure adjacent upper plastic joints are in different direction (curved line face inward and outward) as shown on below diagram.

FIGURE 1A

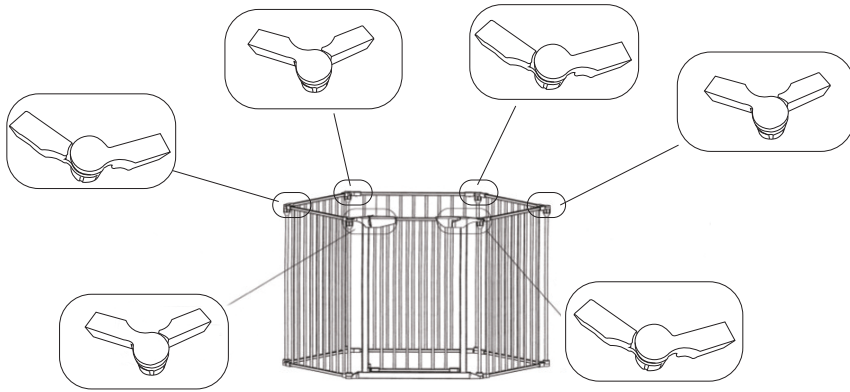
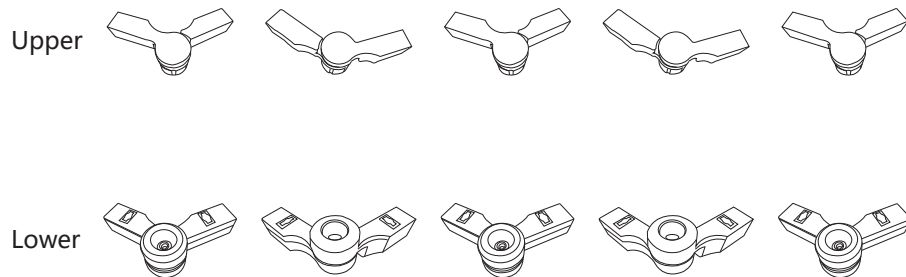


FIGURE 1B

The lower plastic joints must be always in the same direction with upper plastic joints.

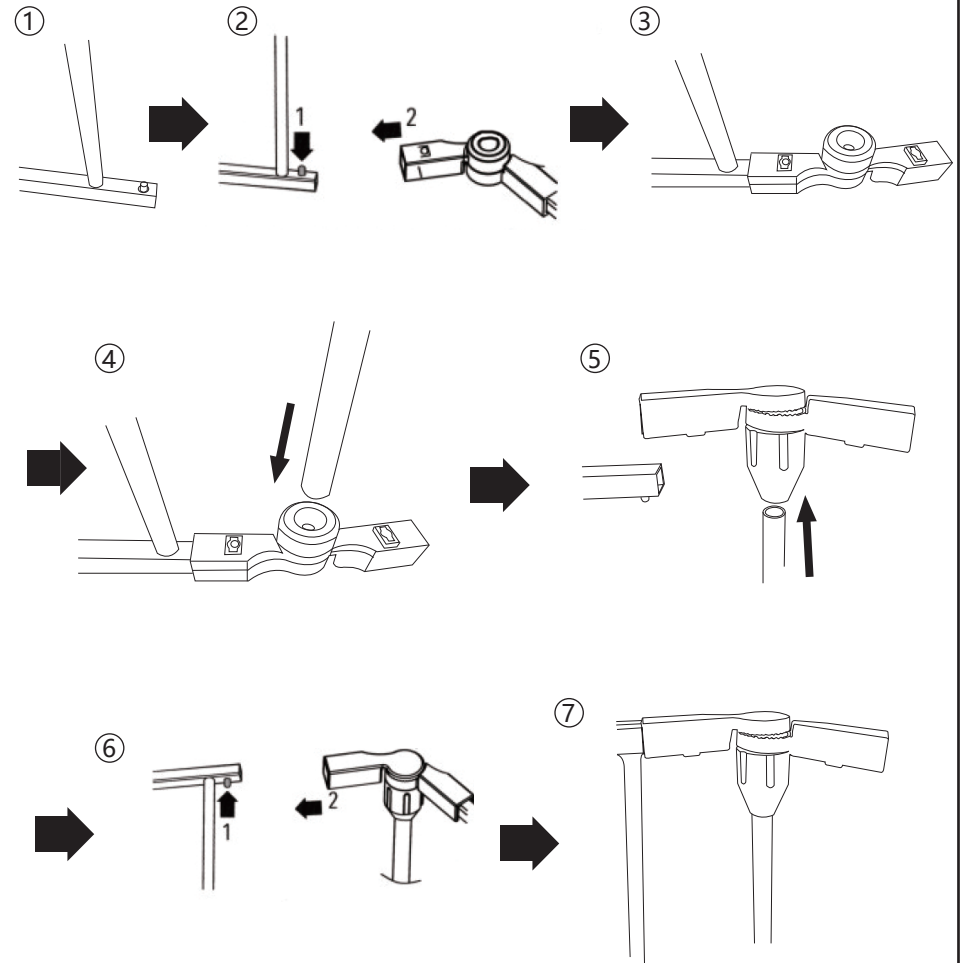


STEP 2

TO ADD A GATE PANEL

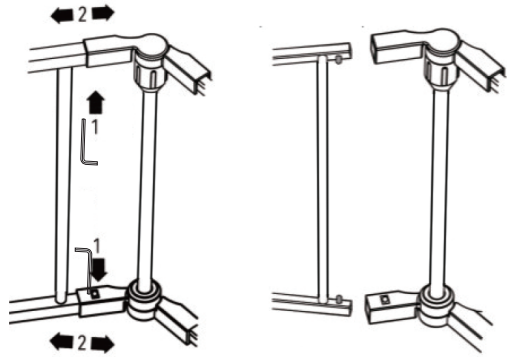
Install the lower plastic joints (C) first, position the removable bar, and then install the upper plastic joints (B).

Press metal button ("1" in diagram) and insert into plastic joints ("2" in diagram). You'll hear "Click" when you install them in place.

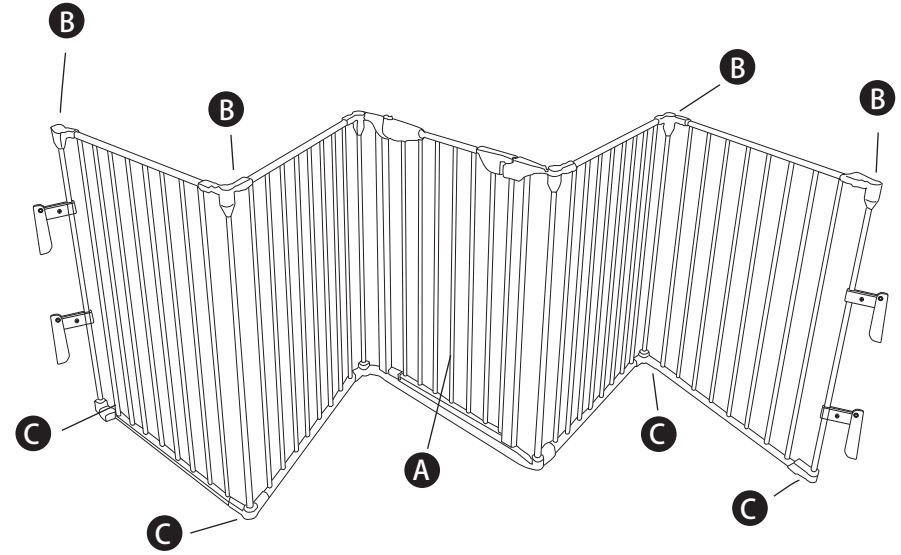


TO REMOVE A GATE PANEL

Use the Allen Key to press down the small metal button and separate the plastic joint.



Components



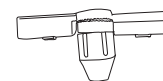
A Door Panel



D Wall Mount Bracket



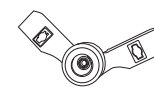
B Upper Plastic Joints



E Mounting Screws



C Lower Plastic Joints



F Plastic expansion tubes

