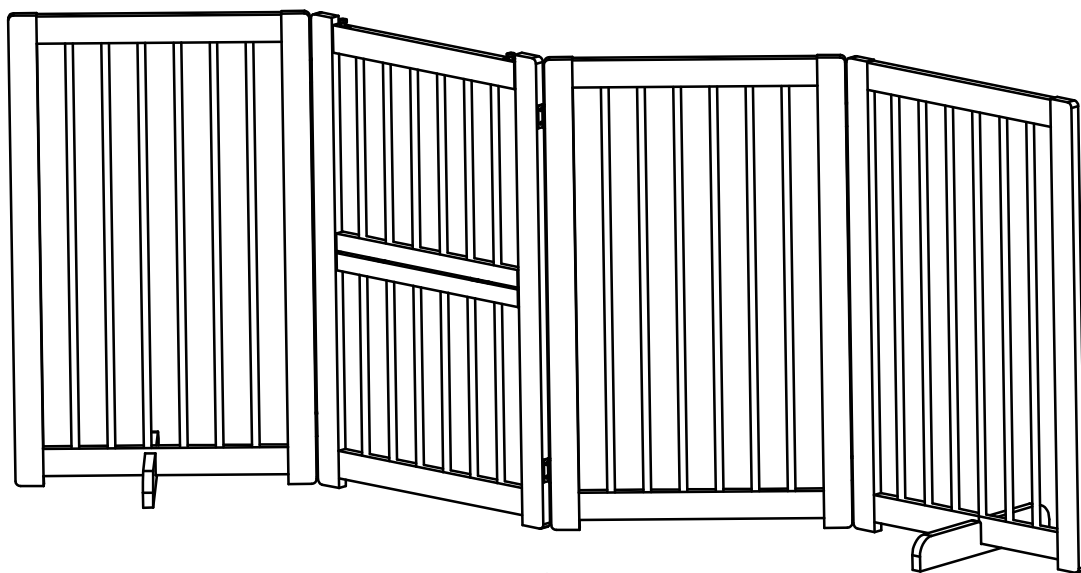


PawHut

INdbb071V01_GL

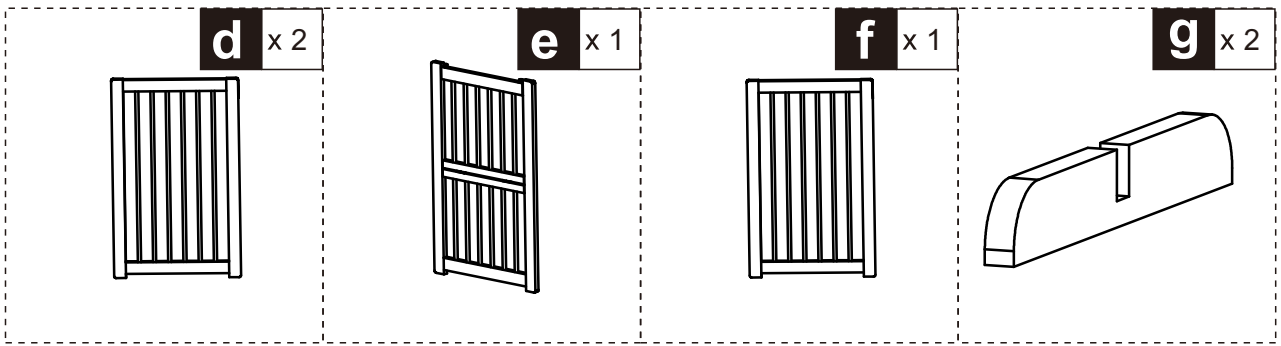
D06-103



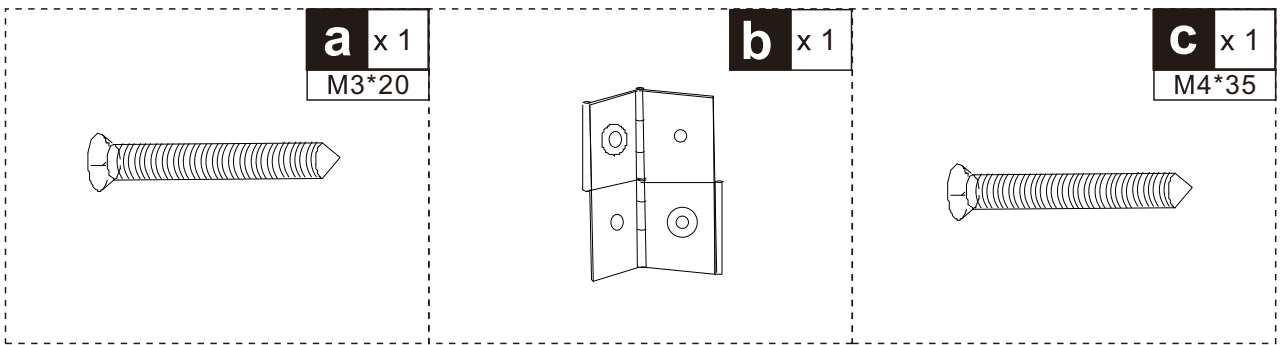
IMPORTANT, RETAIN FOR FUTURE REFERENCE: READ CAREFULLY

ASSEMBLY & INSTRUCTION MANUAL

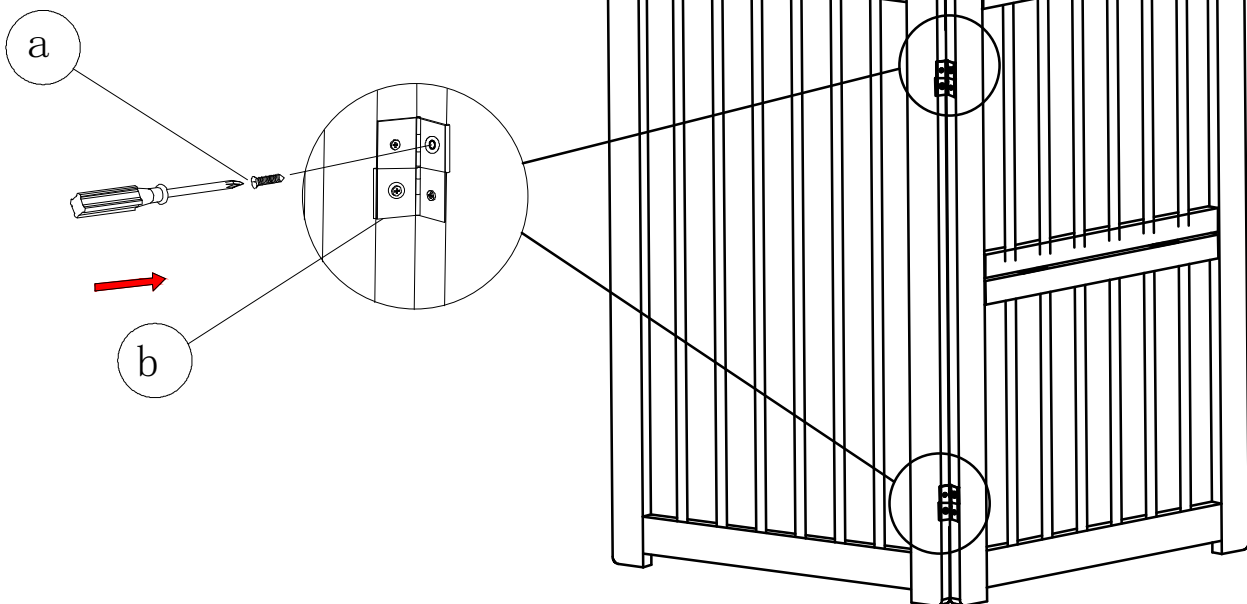
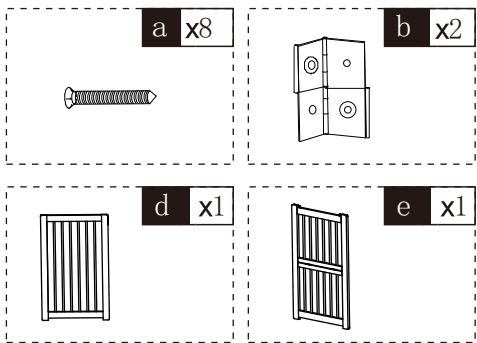
PARTS

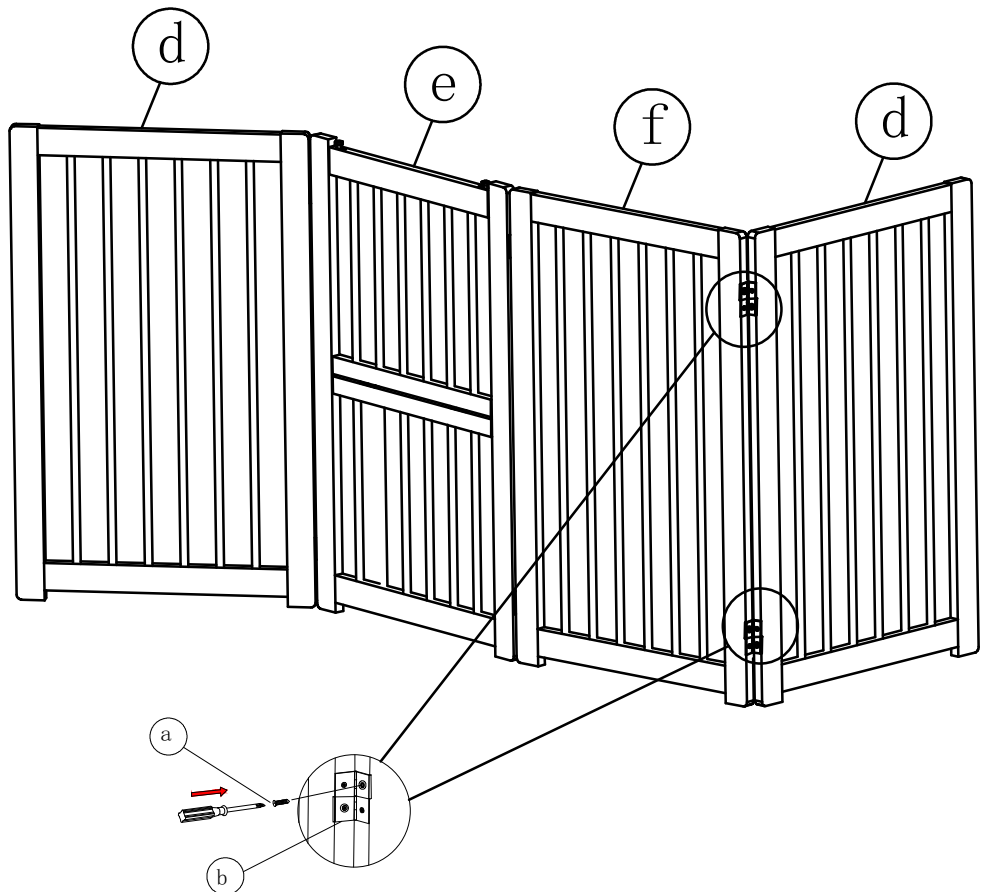
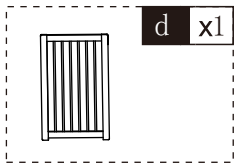
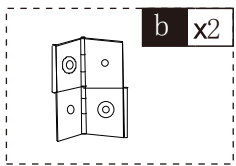
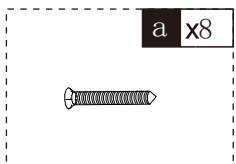
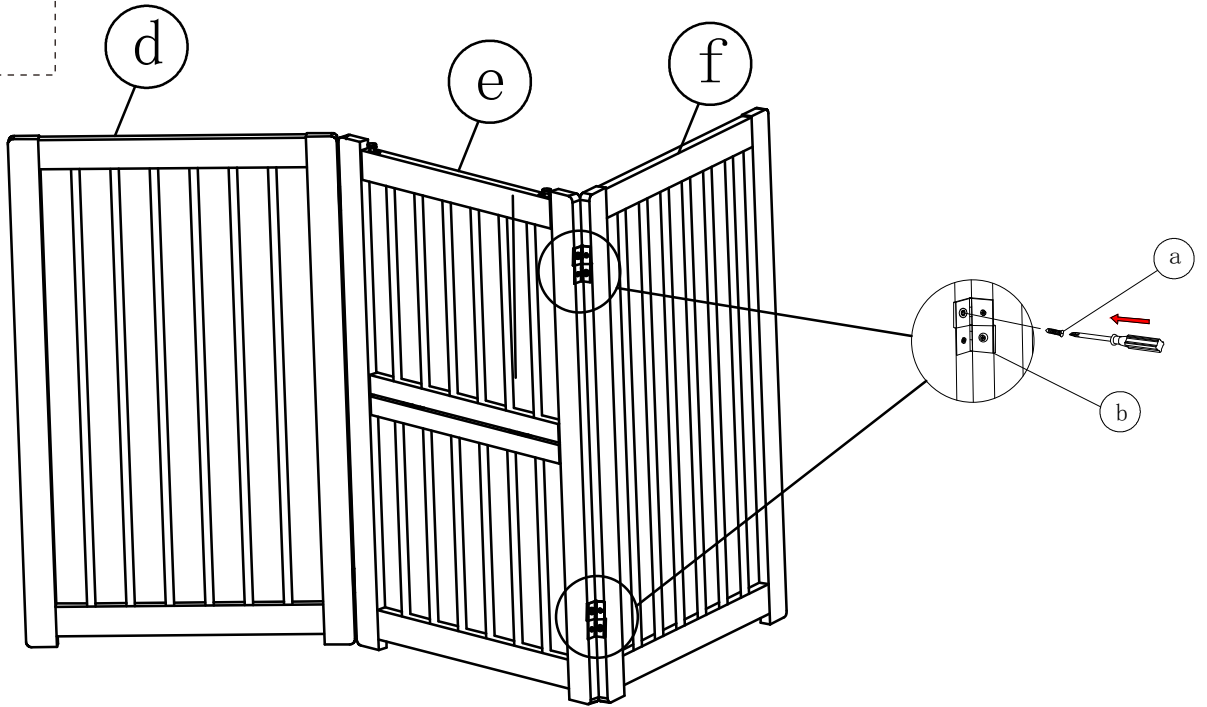
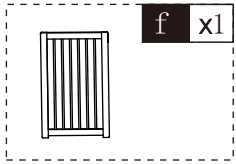
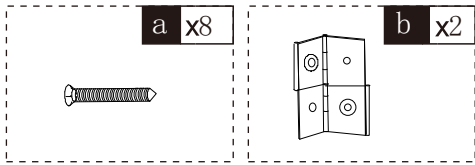


HARDWARE



01





c x2



g x2

