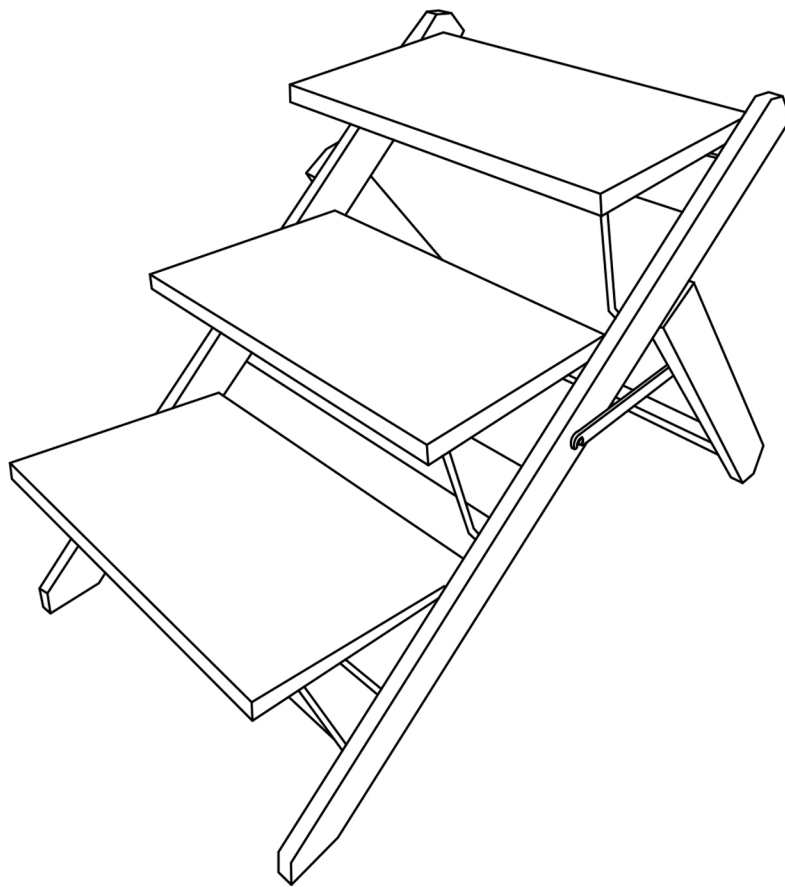


PawHut®

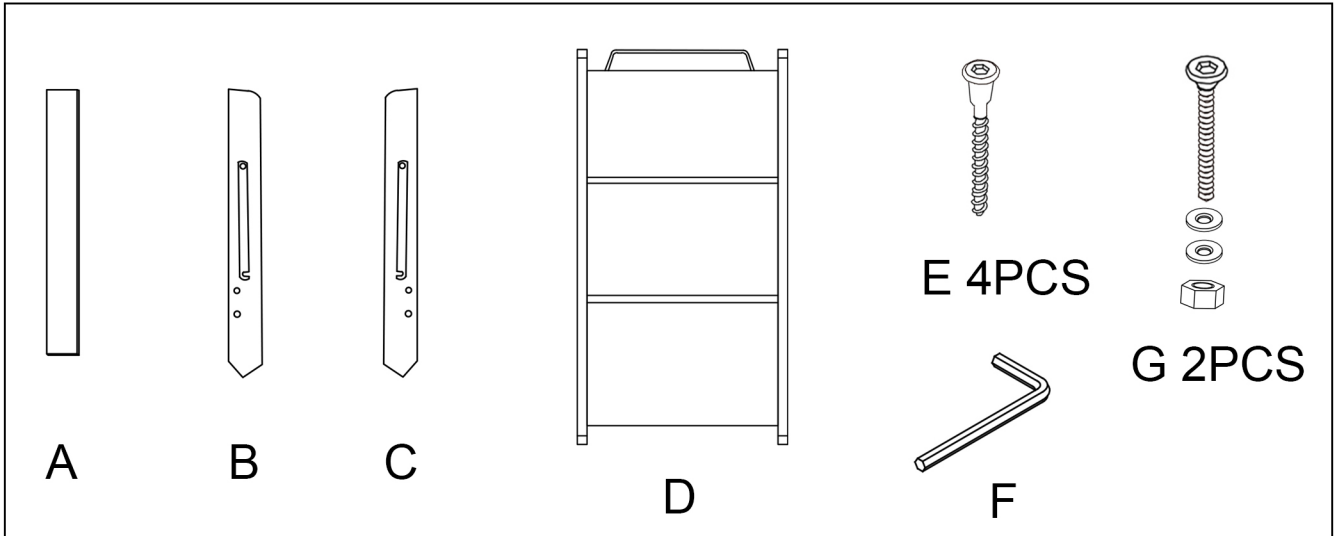
D06-045



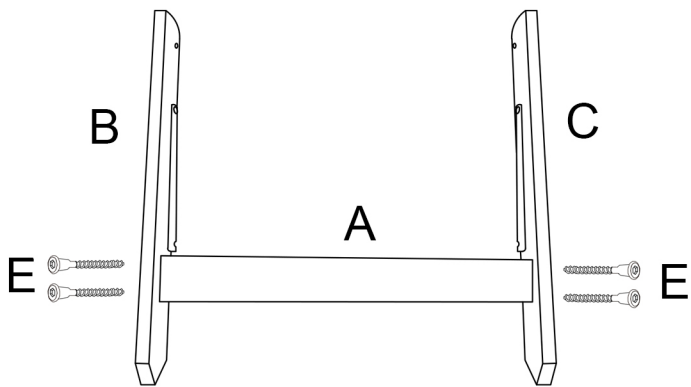
Please read these instructions and warranty information carefully before use and keep them properly for future reference.

OPERATING INSTRUCTIONS

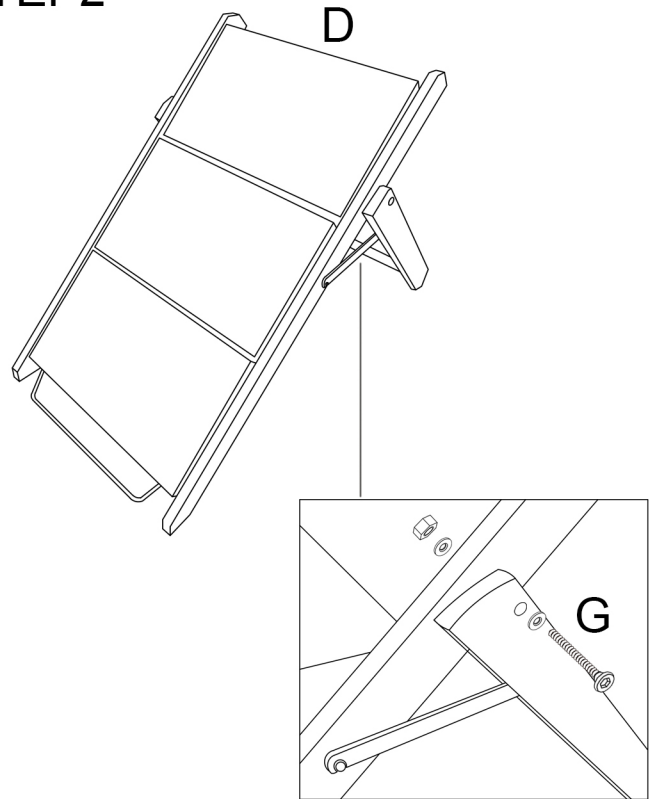
Assembly Instructions



STEP1



STEP2



STEP3

