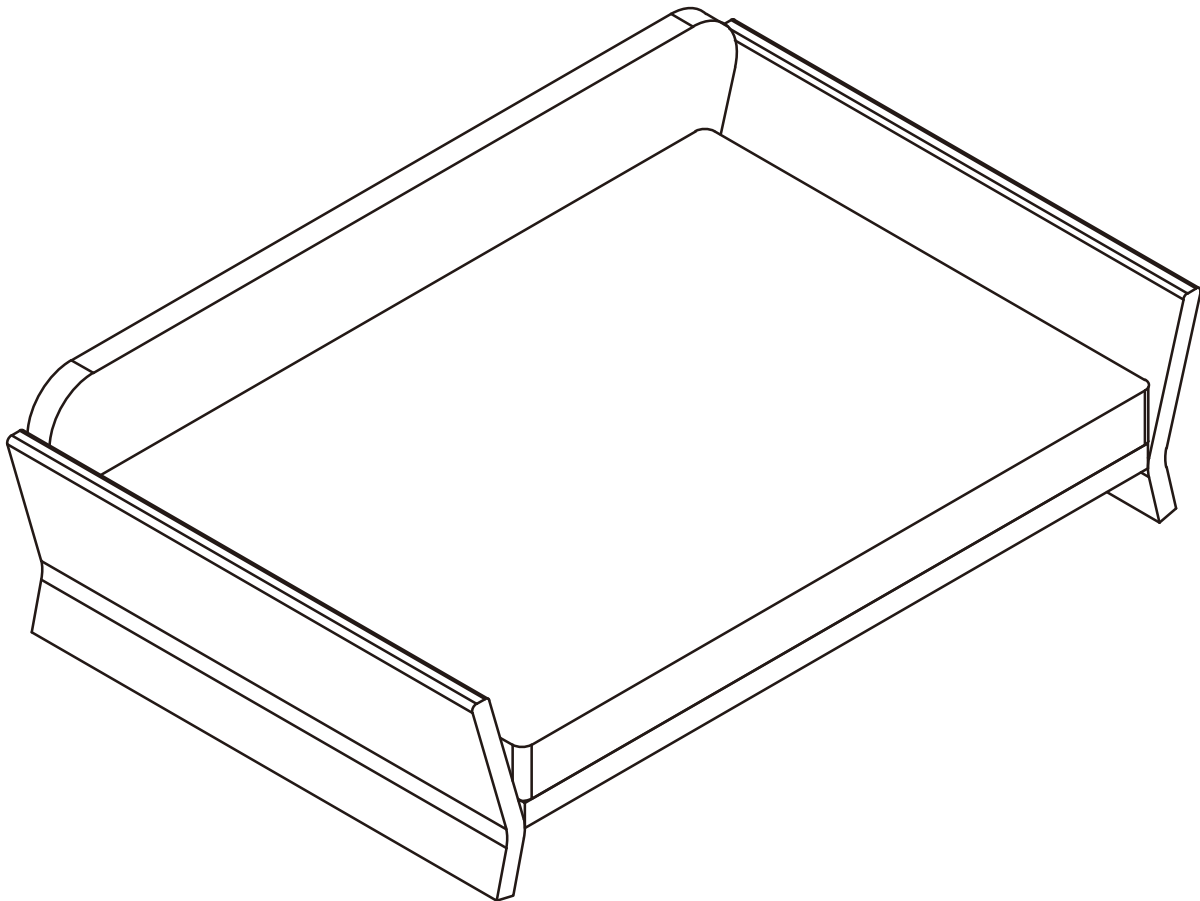


# PawHut

INdbc038V01\_US\_CA\_UK\_ES\_DE\_IT

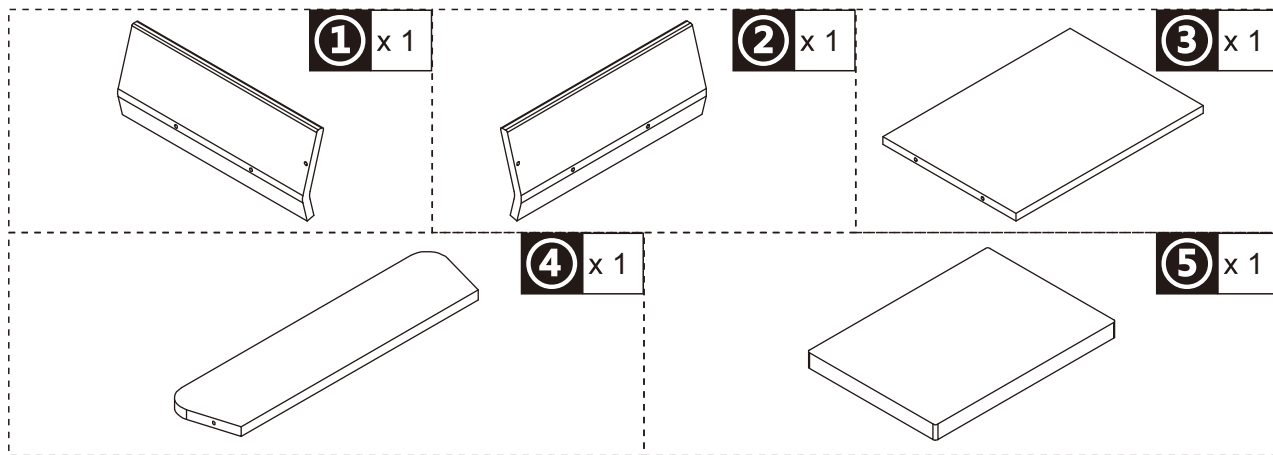
**D04-218\_D04-218V01**



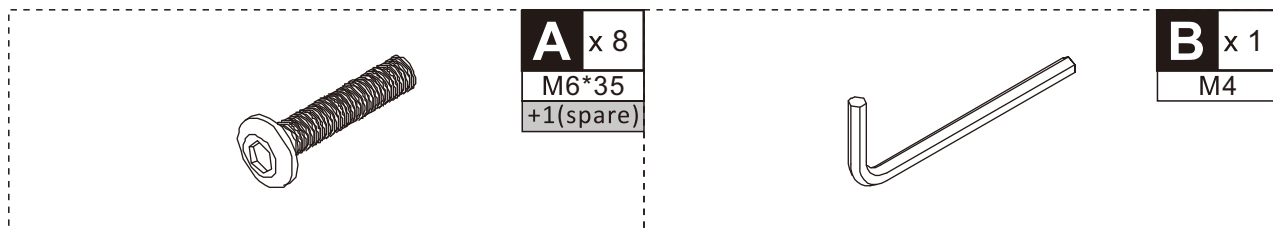
IMPORTANT, RETAIN FOR FUTURE REFERENCE: READ CAREFULLY

## ASSEMBLY & INSTRUCTION MANUAL

**PARTS**

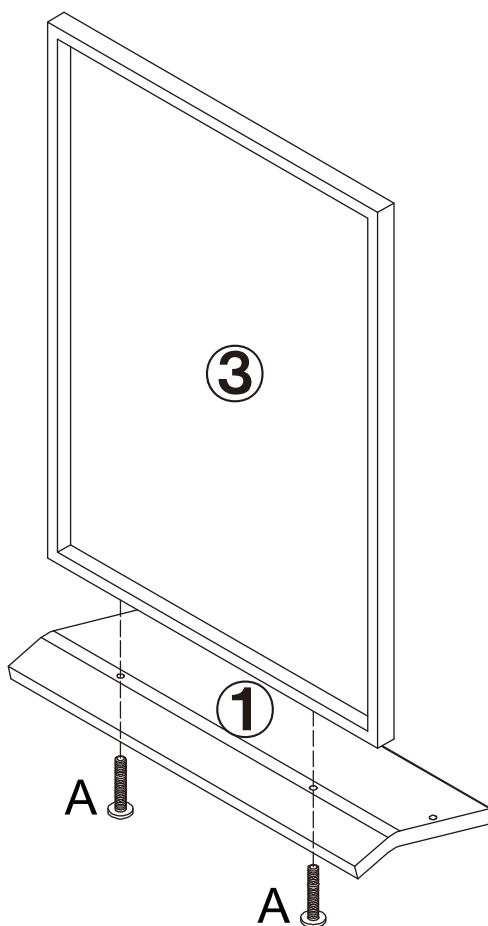


**HARDWARE**

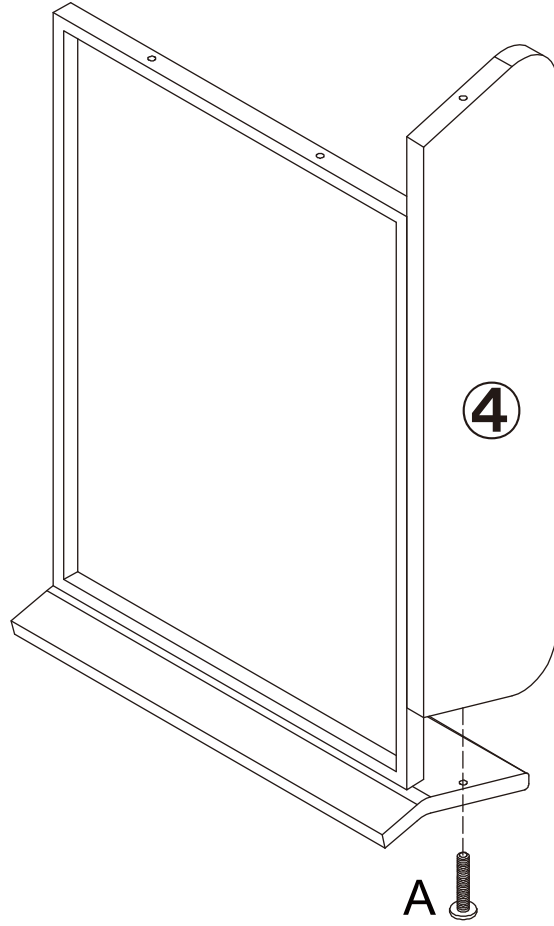


**01**

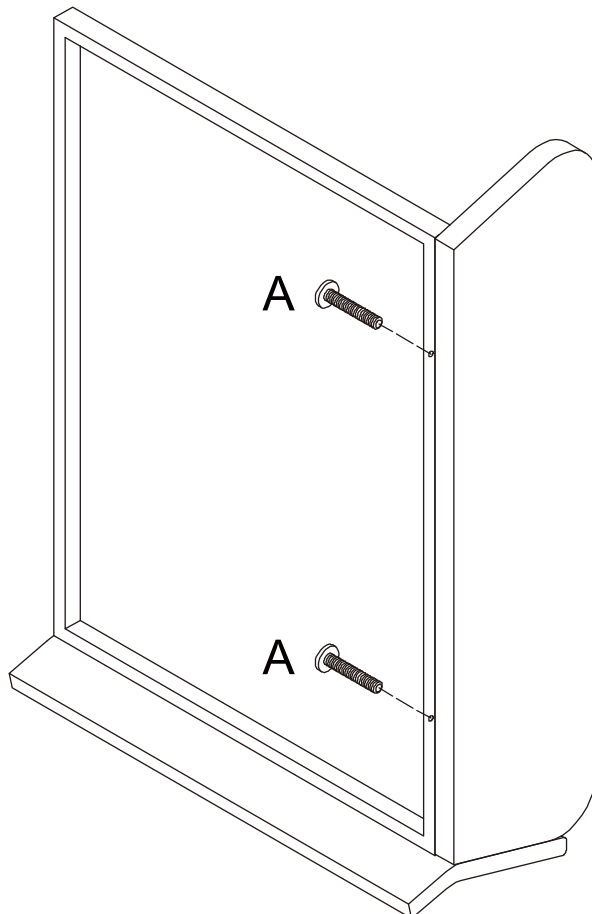
 Ax2



Ax1



Ax2



Ax3

