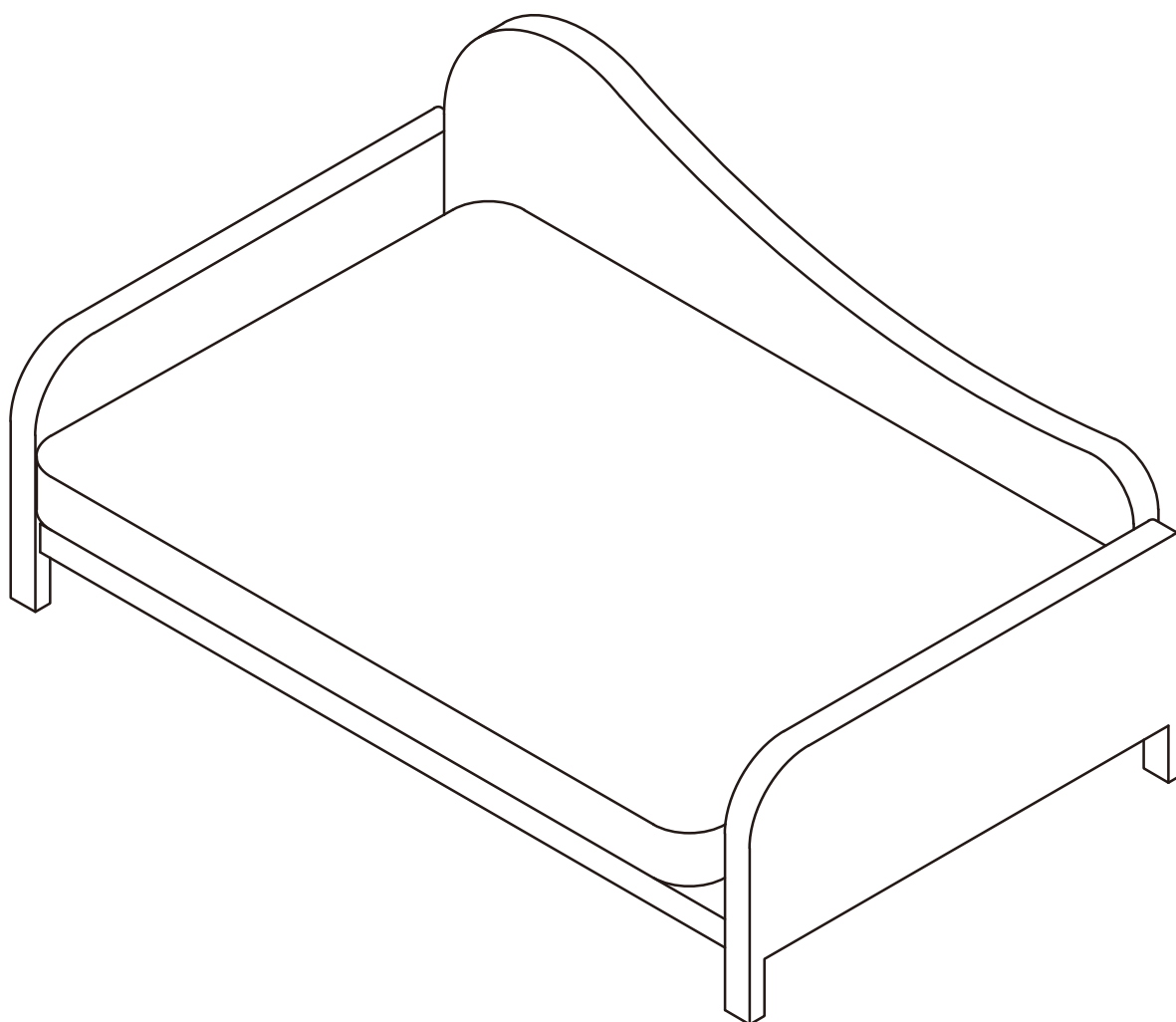


PawHut

INdbc039V01_GL

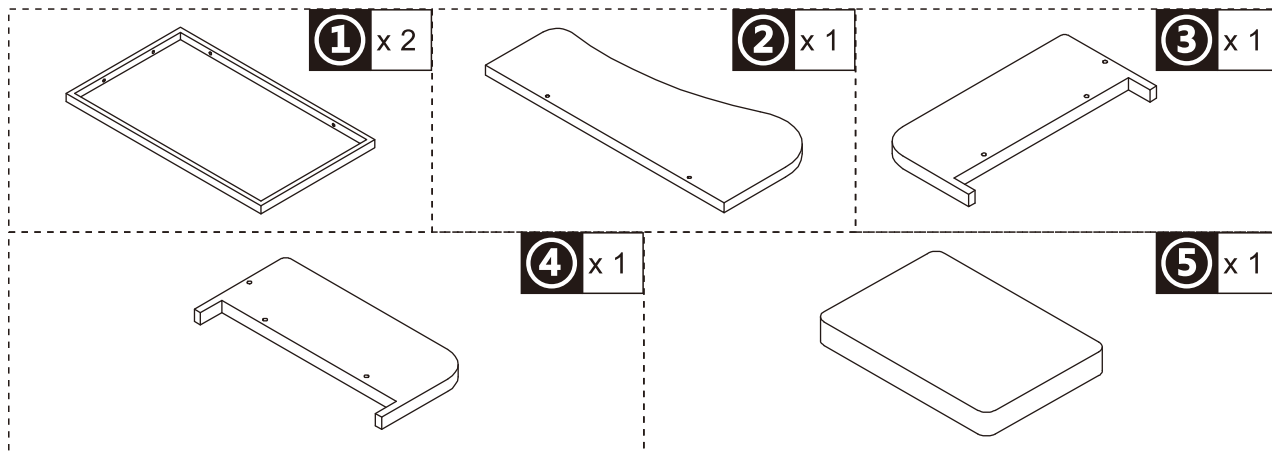
D04-219_D04-219V01



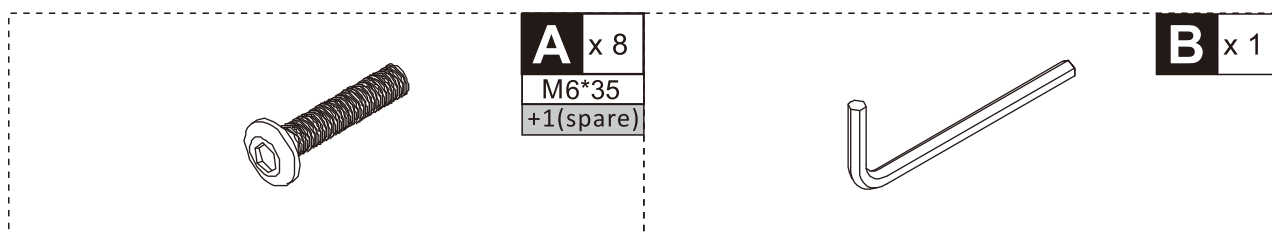
IMPORTANT, RETAIN FOR FUTURE REFERENCE: READ CAREFULLY

ASSEMBLY & INSTRUCTION MANUAL

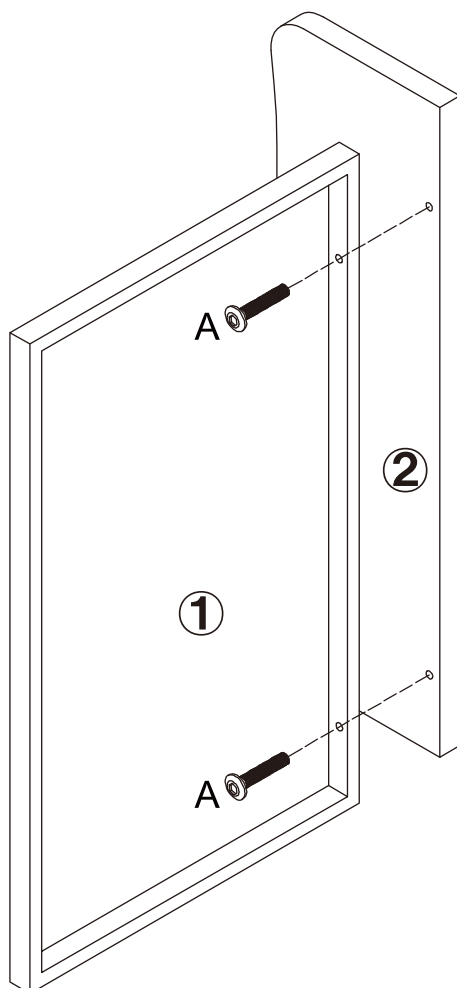
PARTS



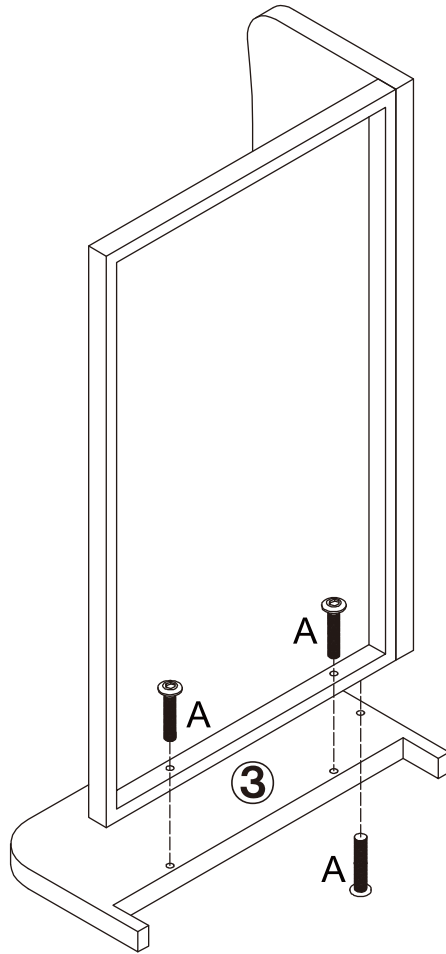
HARDWARE



01



AX3



AX3

