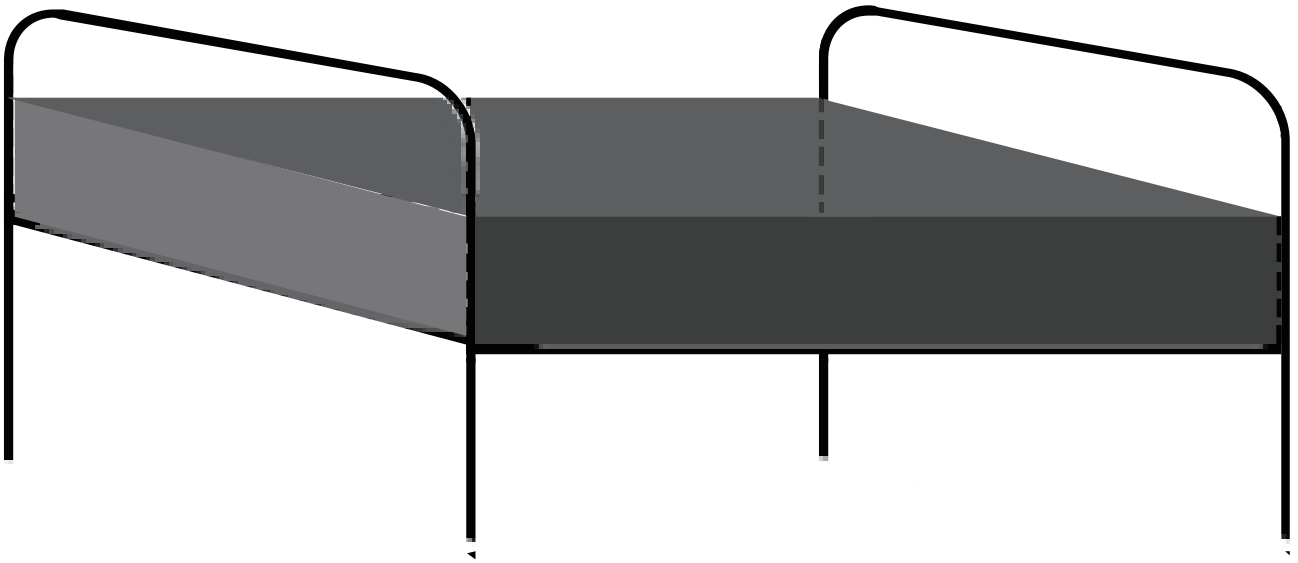


# PawHut

INdbd013\_GL

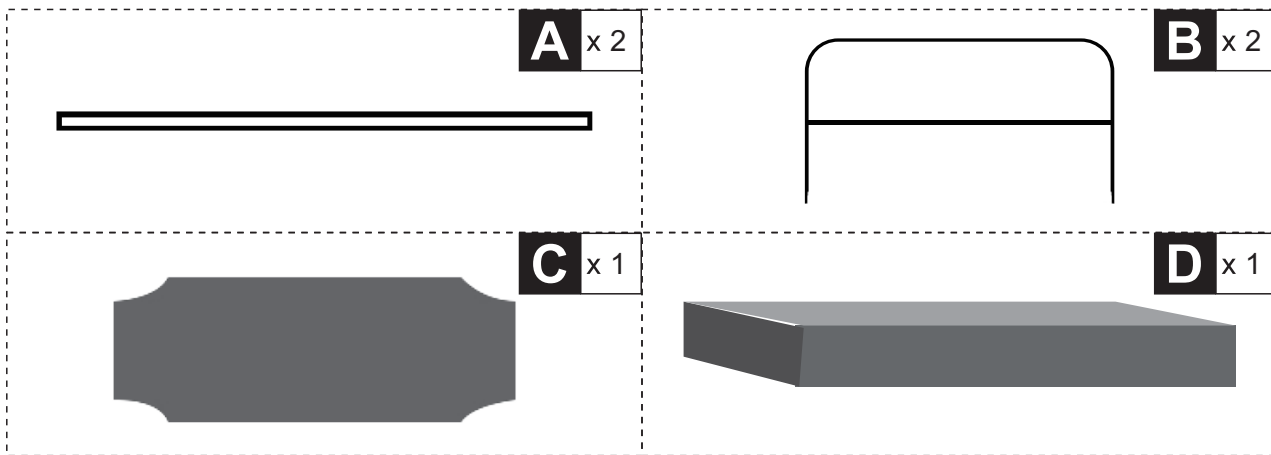
**D04-208**



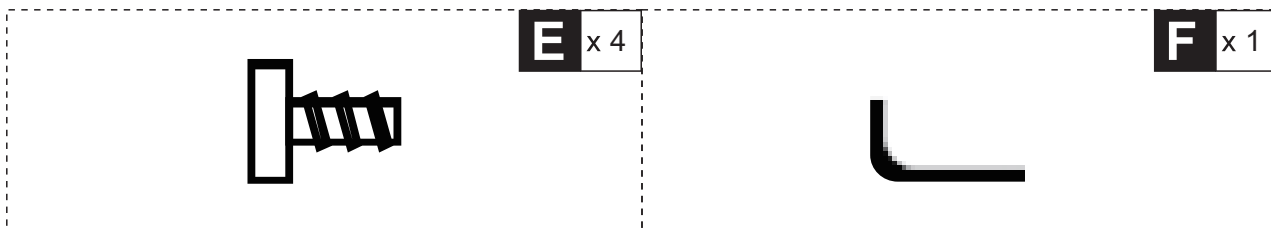
IMPORTANT, RETAIN FOR FUTURE REFERENCE: READ CAREFULLY

## ASSEMBLY & INSTRUCTION MANUAL

**PARTS**



**HARDWARE**



**01**

