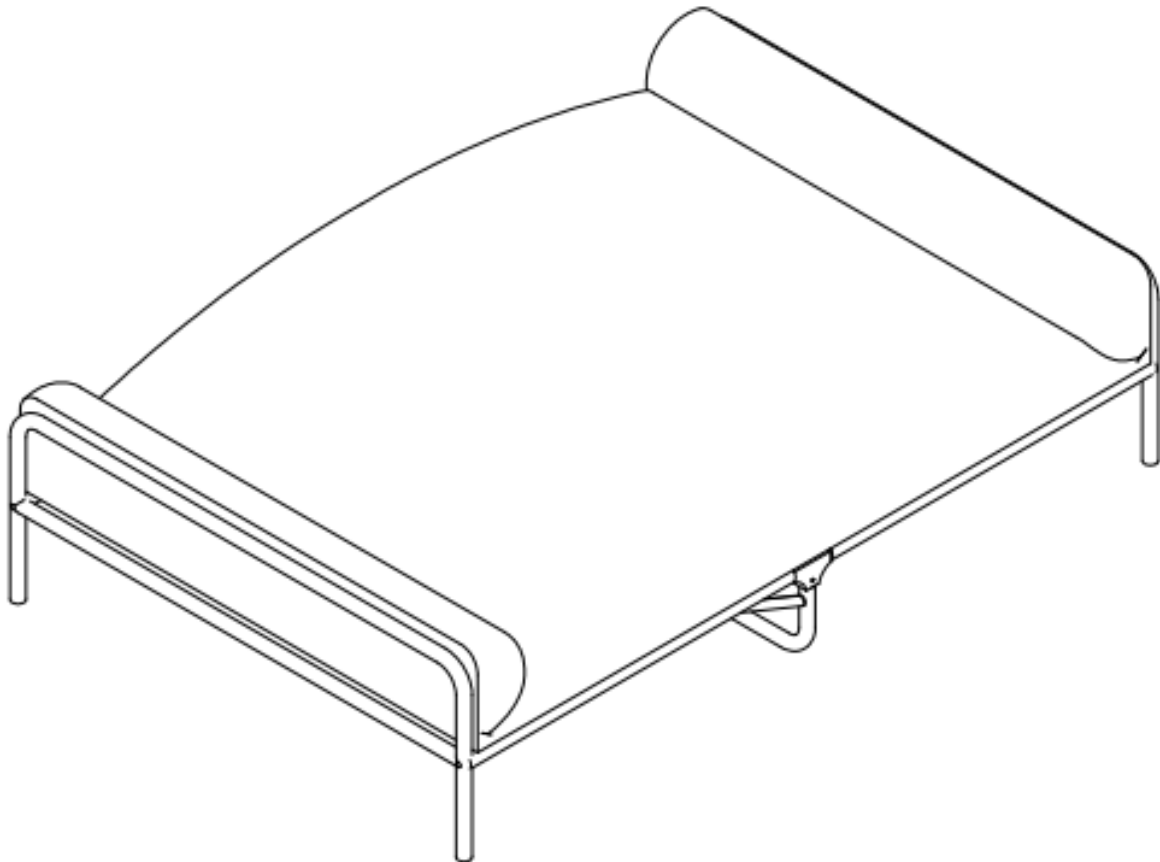


PawHut

INdbd024V01_GL

D04-235

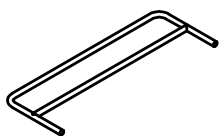


IMPORTANT, RETAIN FOR FUTURE REFERENCE: READ CAREFULLY

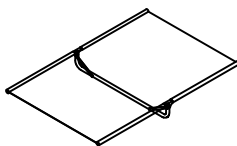
ASSEMBLY & INSTRUCTION MANUAL

PARTS

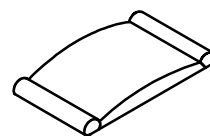
1 x2



2 x 1



3 x 1



HARDWARE

A x4
M8*35
+1(spare)



B x 1

