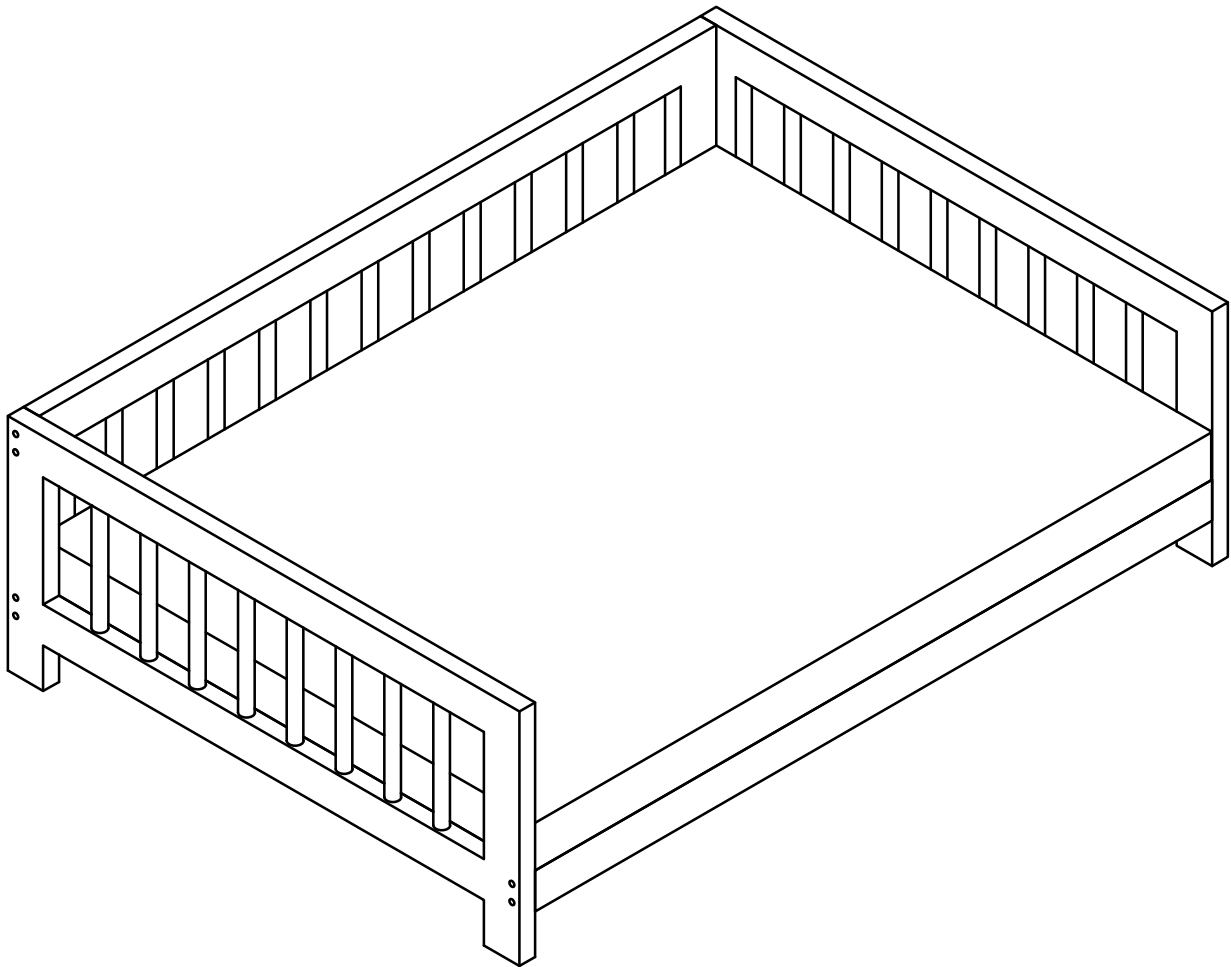


PawHut

INdbd026_GL

D04-223

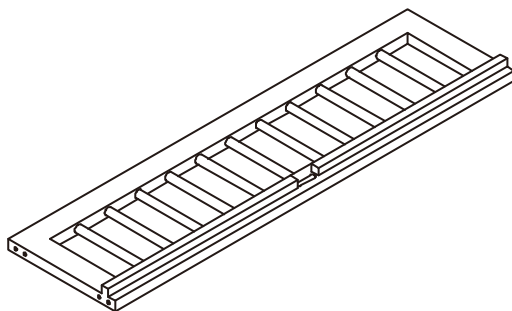


IMPORTANT, RETAIN FOR FUTURE REFERENCE: READ CAREFULLY

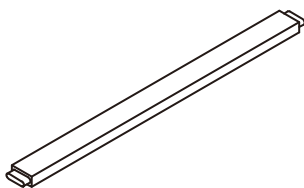
ASSEMBLY & INSTRUCTION MANUAL

PARTS

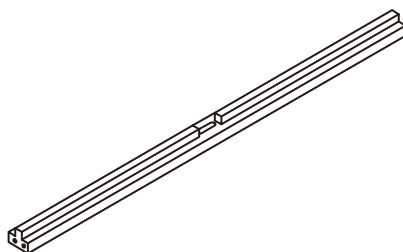
1 x 1



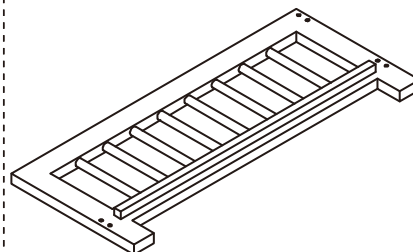
2 x 1



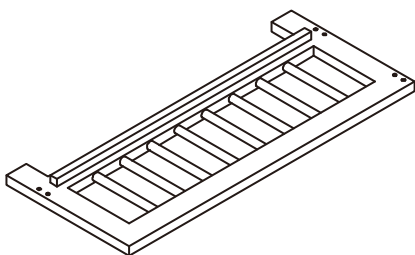
3 x 1



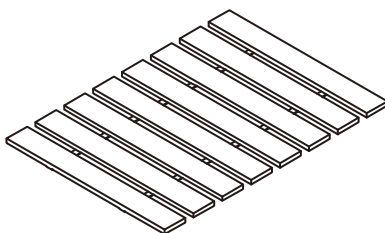
4 x 1



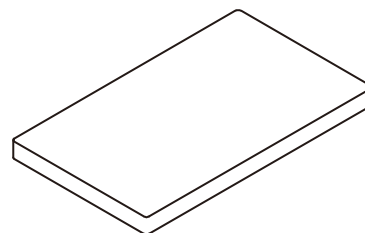
5 x 1



6 x 1

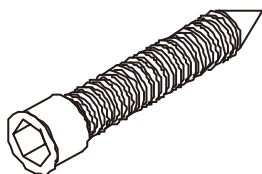


7 x 1

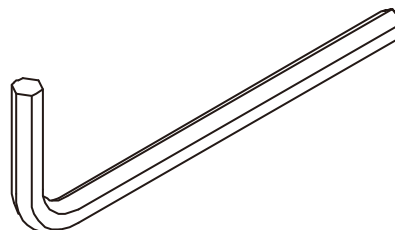


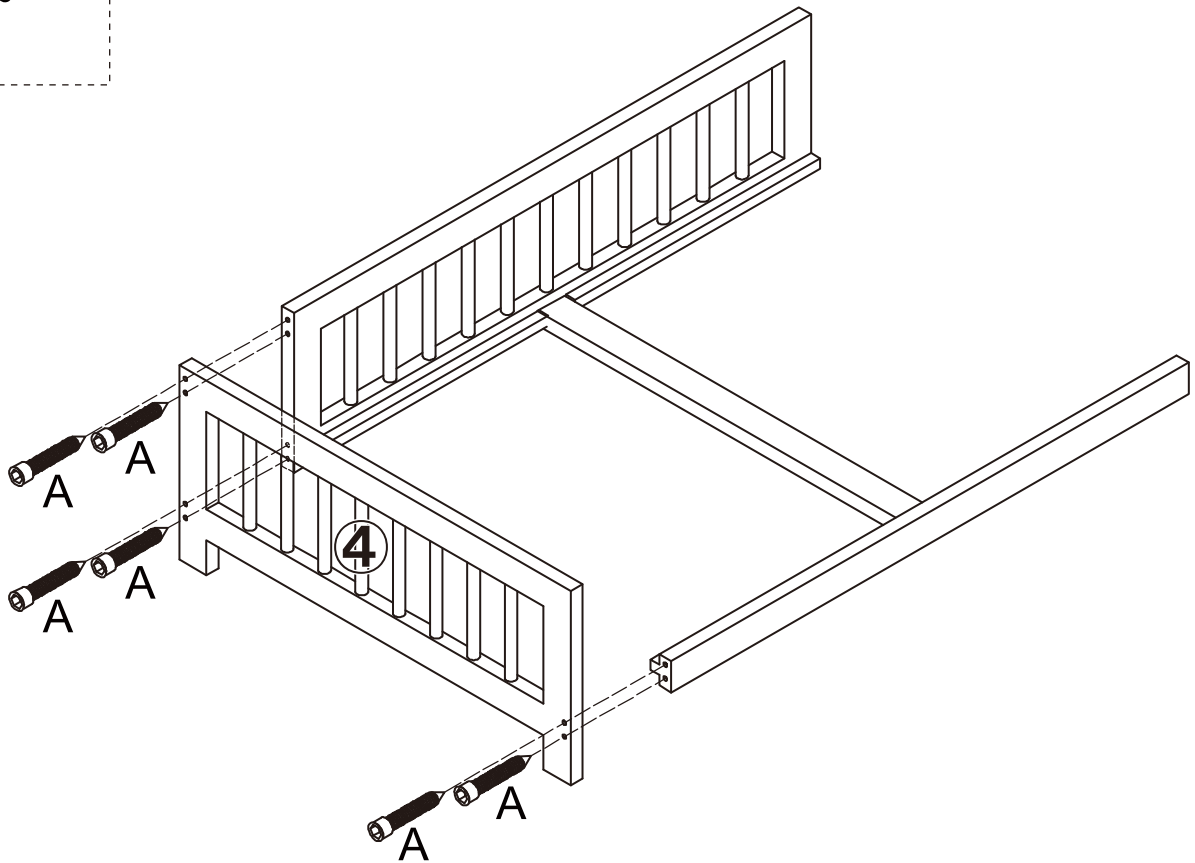
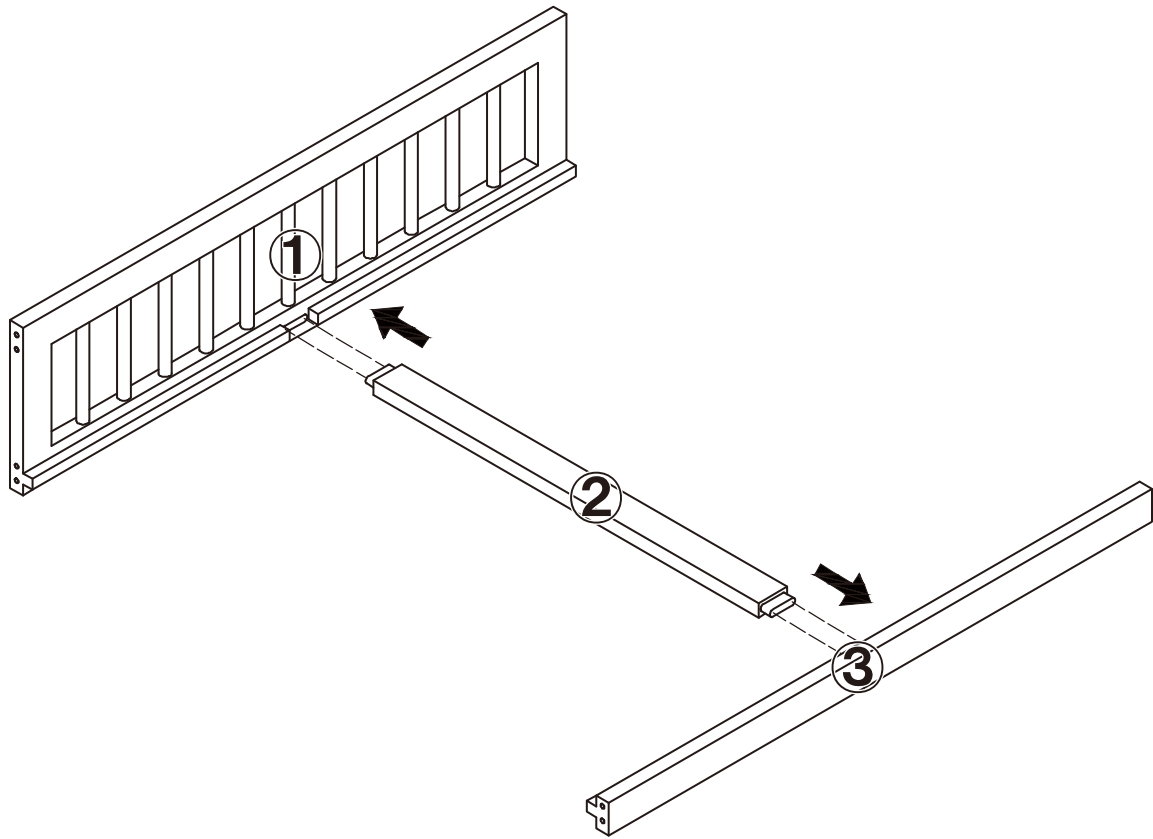
HARDWARE

A x12
M5*40
+1(spare)



B x 1
M0





AX6

