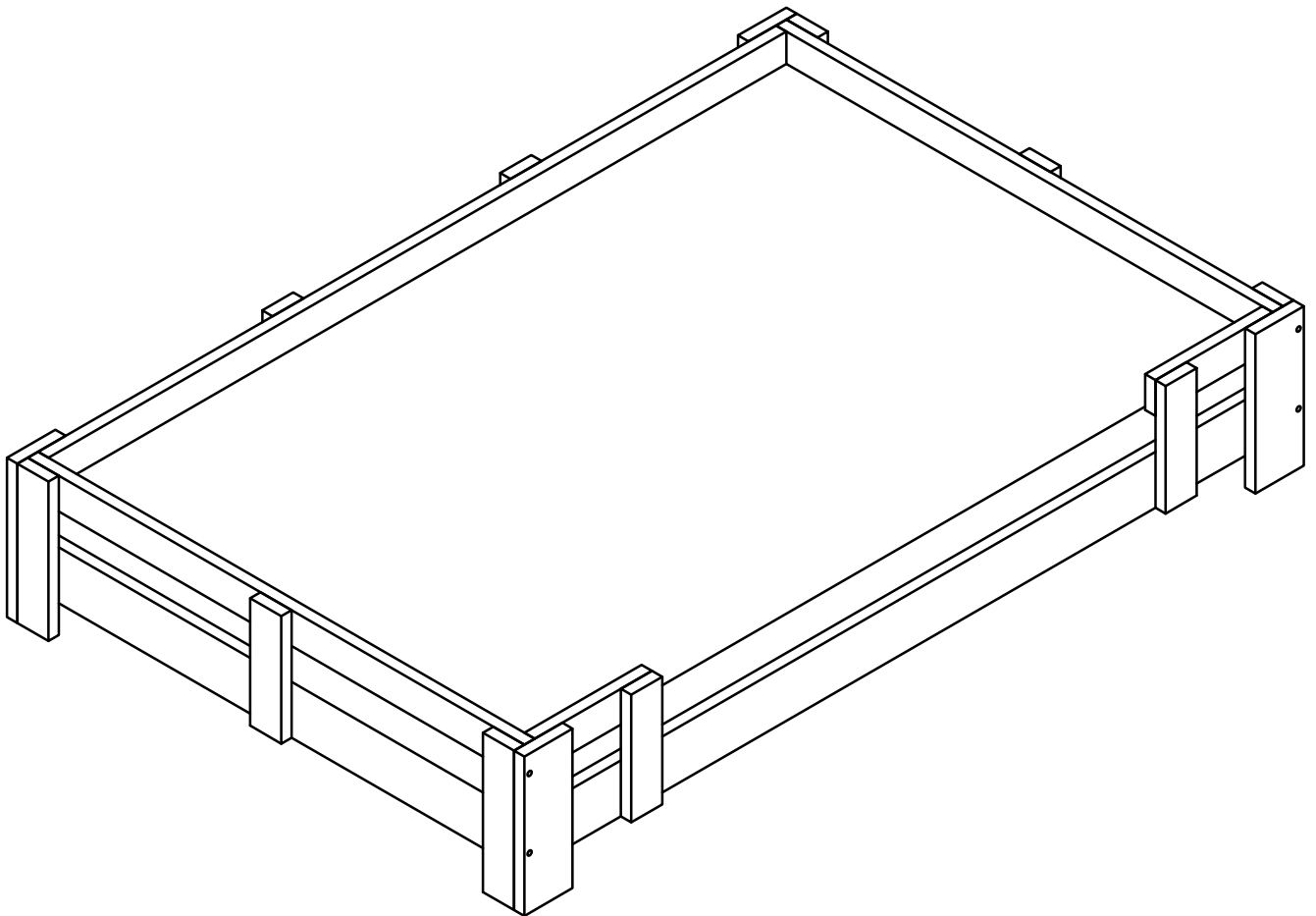


PawHut

INdbd027_GL

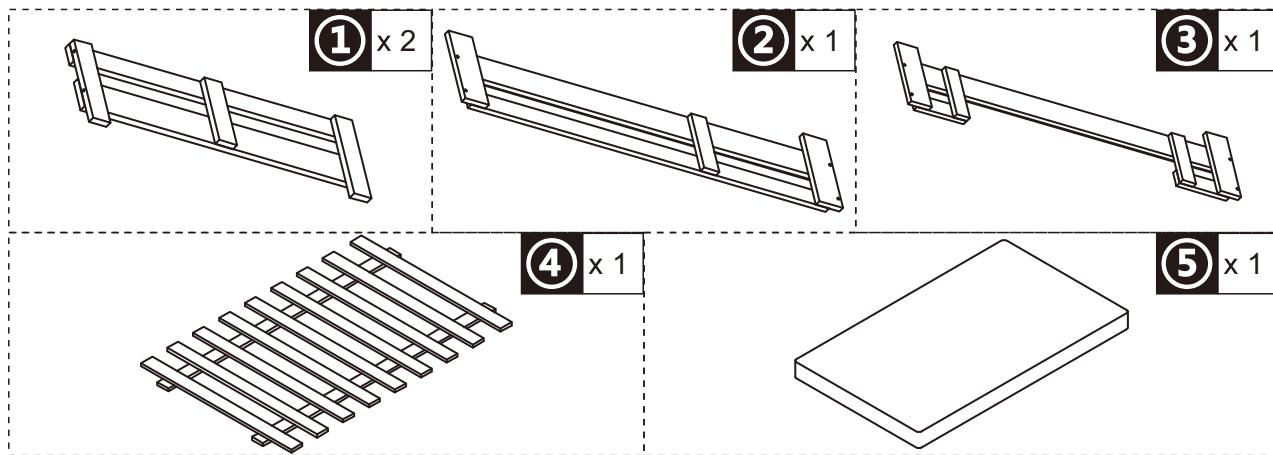
D04-224



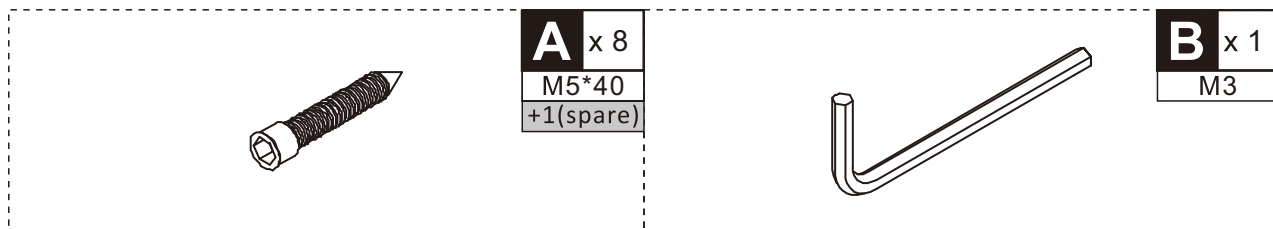
IMPORTANT, RETAIN FOR FUTURE REFERENCE: READ CAREFULLY

ASSEMBLY & INSTRUCTION MANUAL

PARTS



HARDWARE



01

AX4

