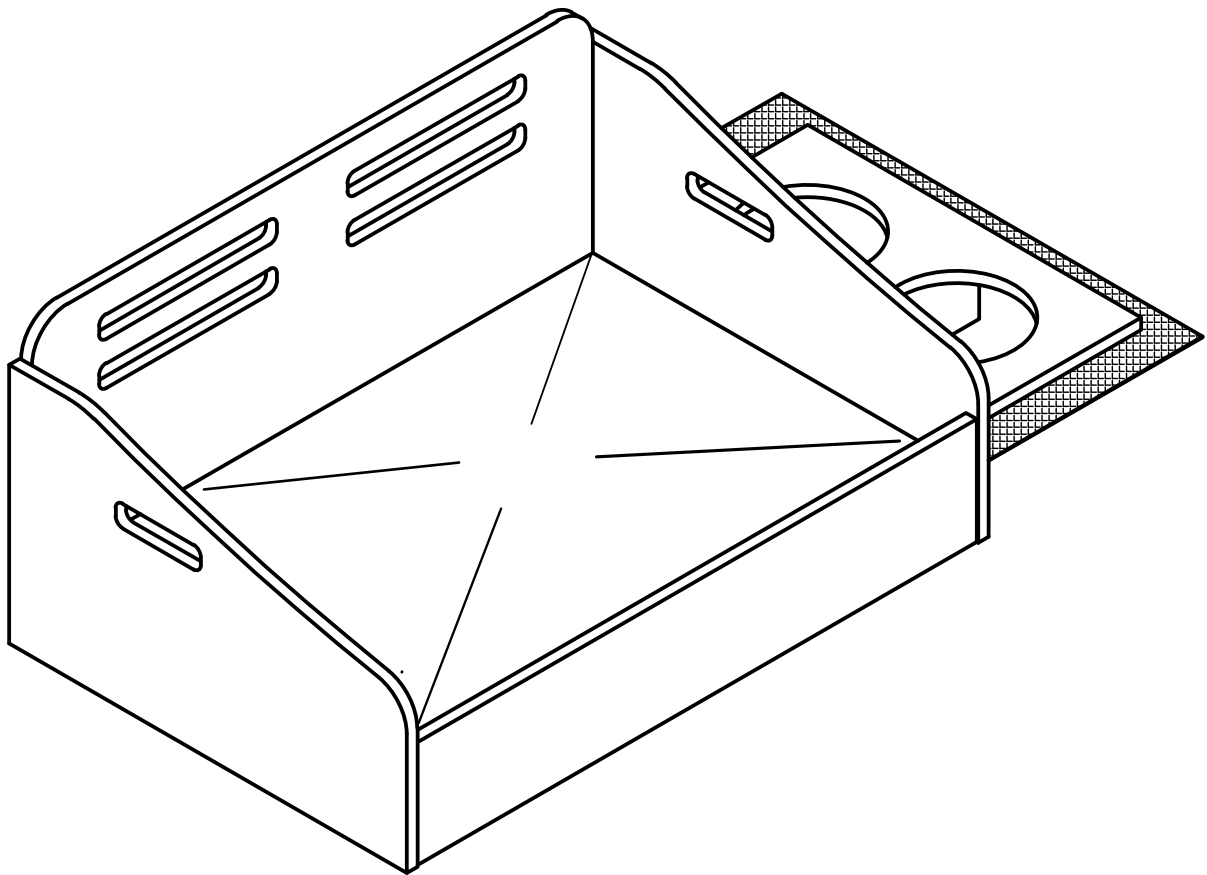


# PawHut

INdbd031\_GL

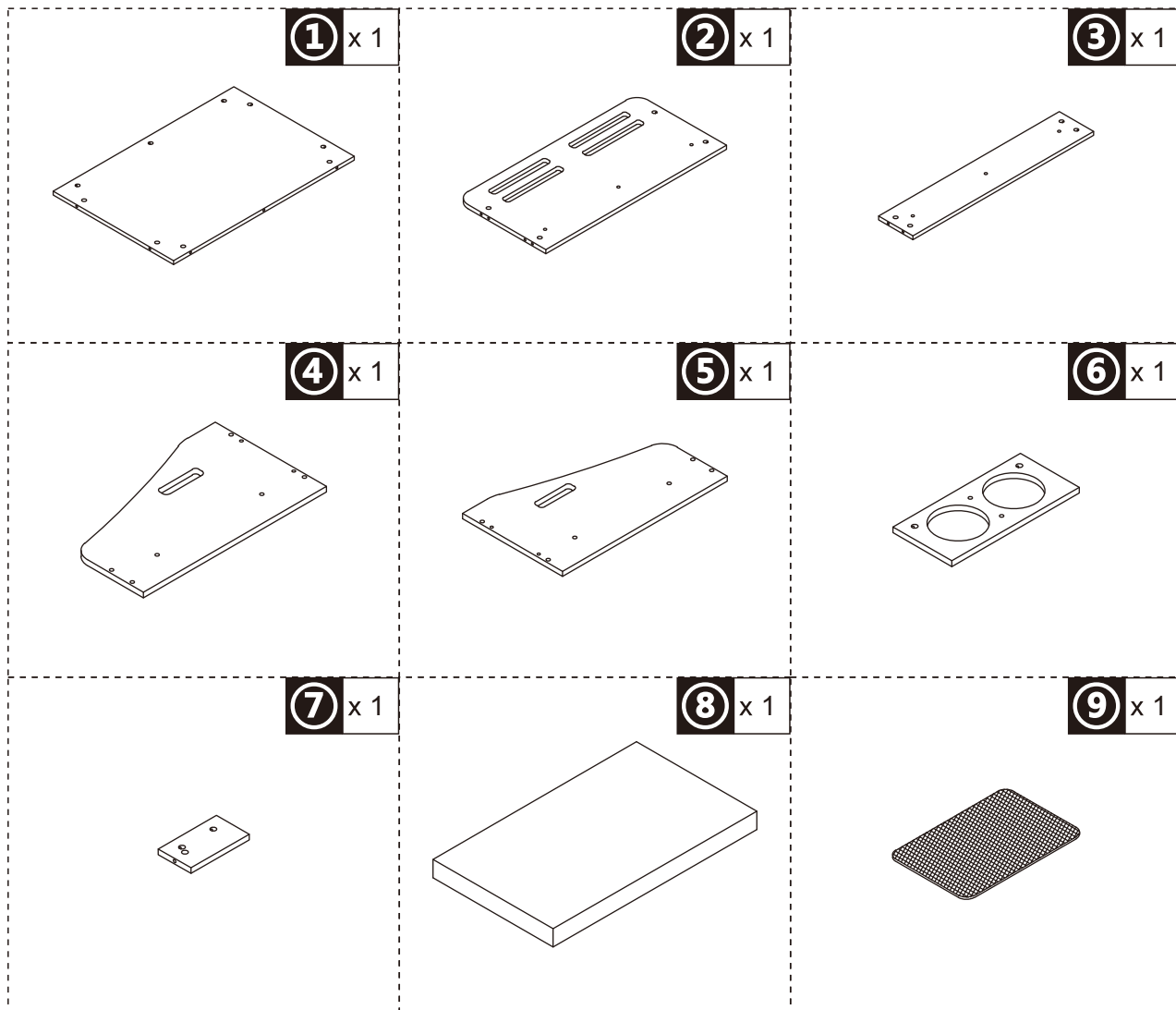
**D04-230V80**



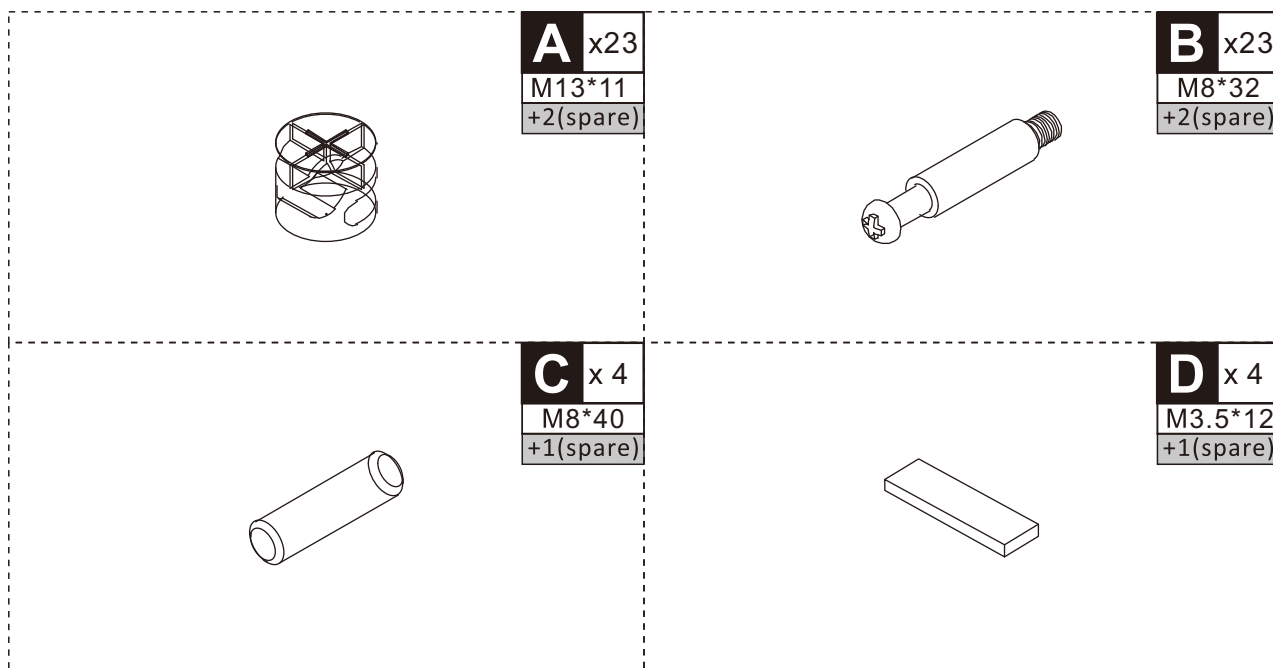
IMPORTANT, RETAIN FOR FUTURE REFERENCE: READ CAREFULLY

## ASSEMBLY & INSTRUCTION MANUAL

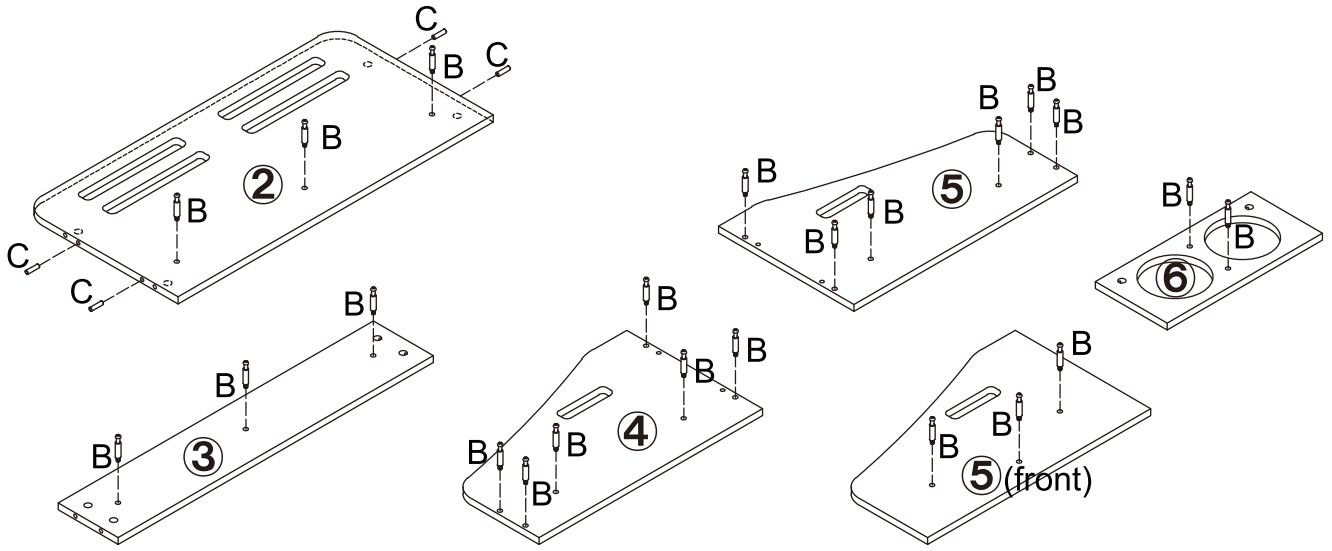
**PARTS**



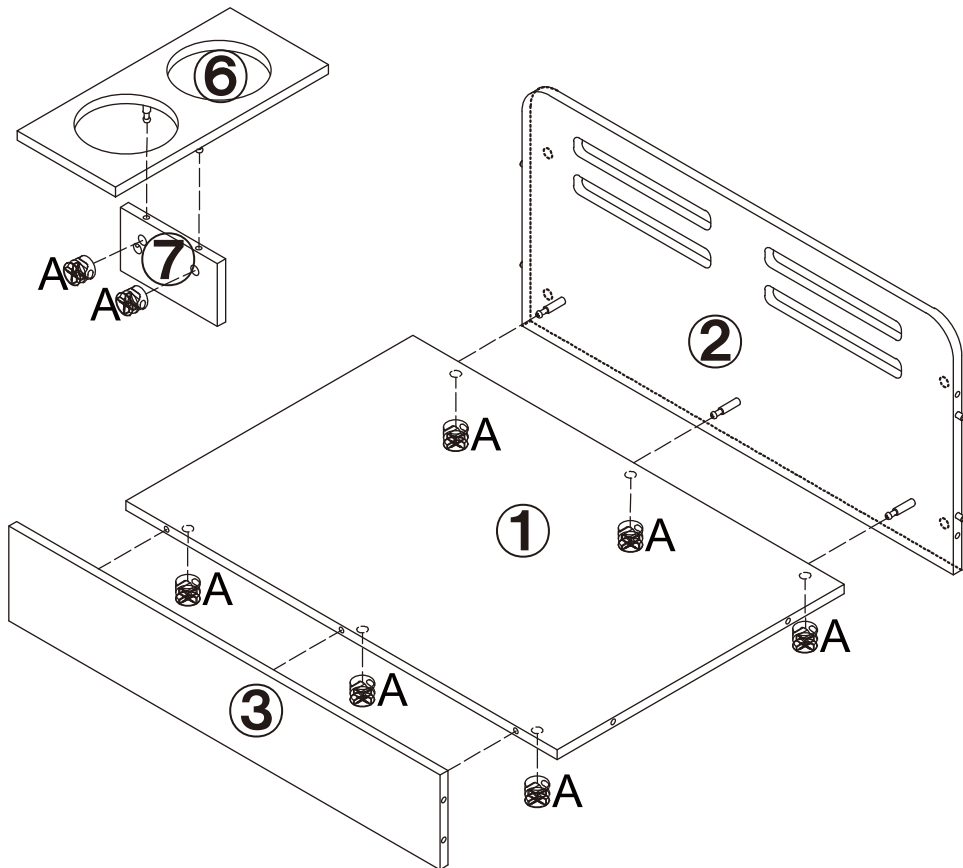
**HARDWARE**



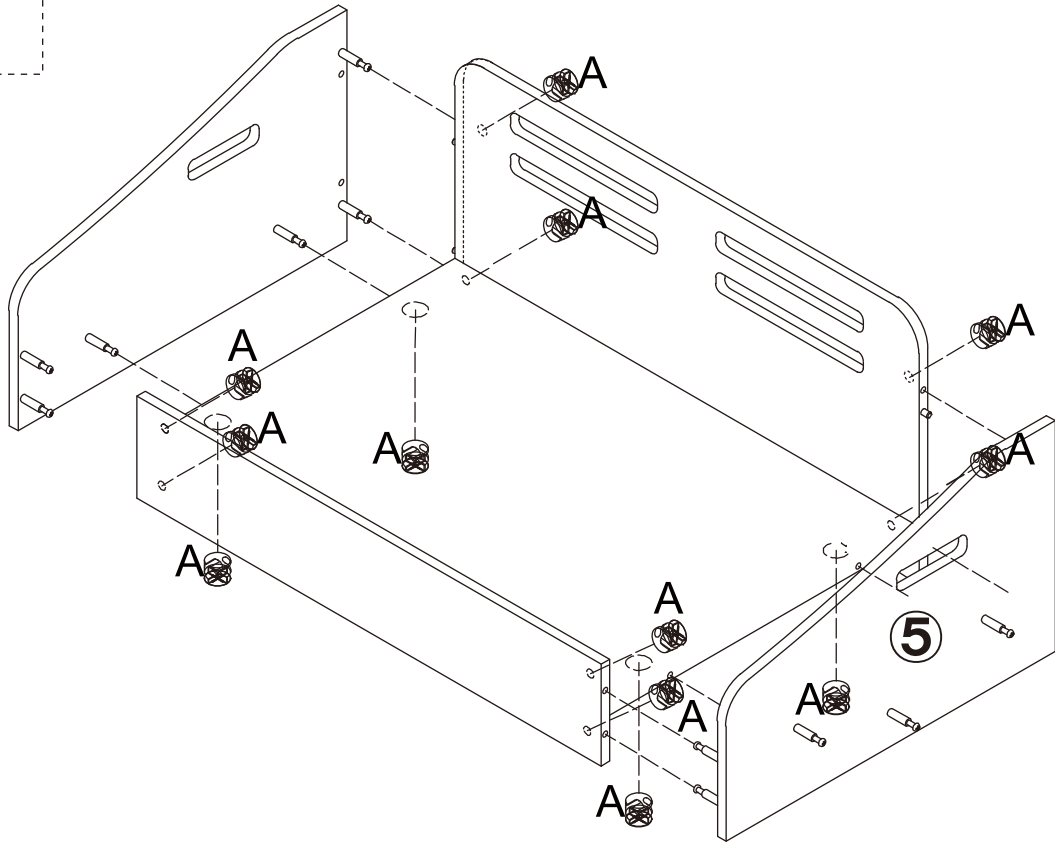
-  BX23
-  CX4



-  AX8



AX12



AX3  
DX4

