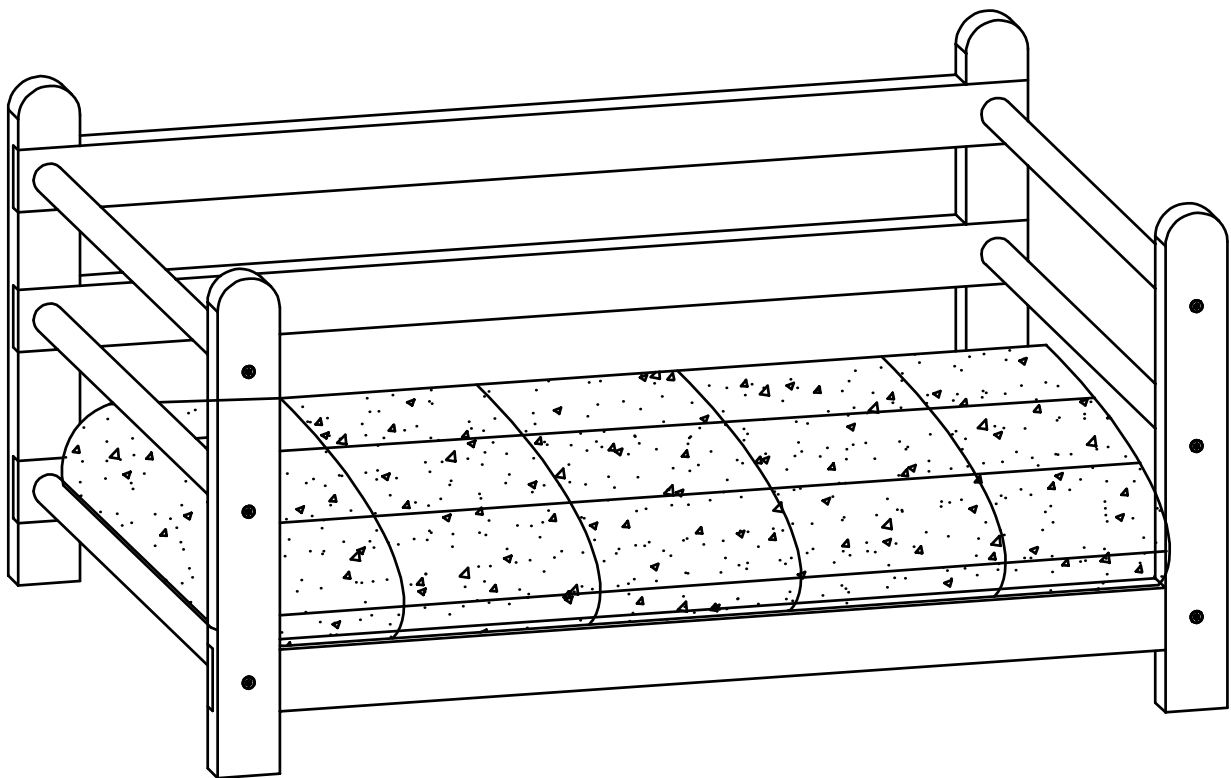


PawHut!

INdbd033_GL

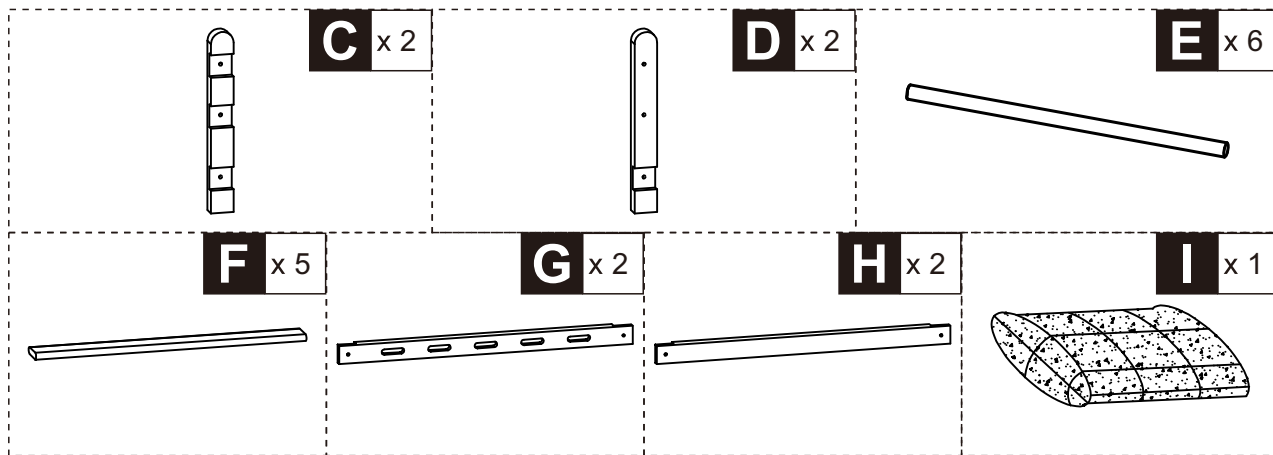
D04-222_D04-222V70



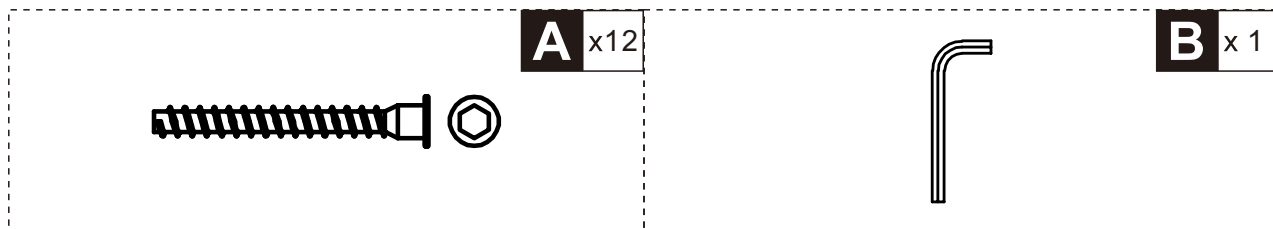
IMPORTANT, RETAIN FOR FUTURE REFERENCE: READ CAREFULLY

ASSEMBLY & INSTRUCTION MANUAL

PARTS

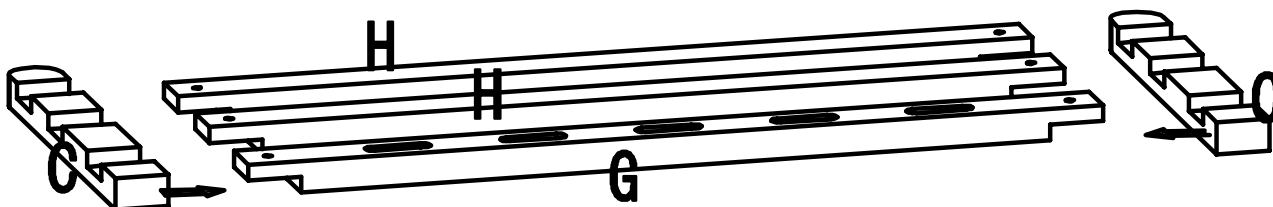


HARDWARE

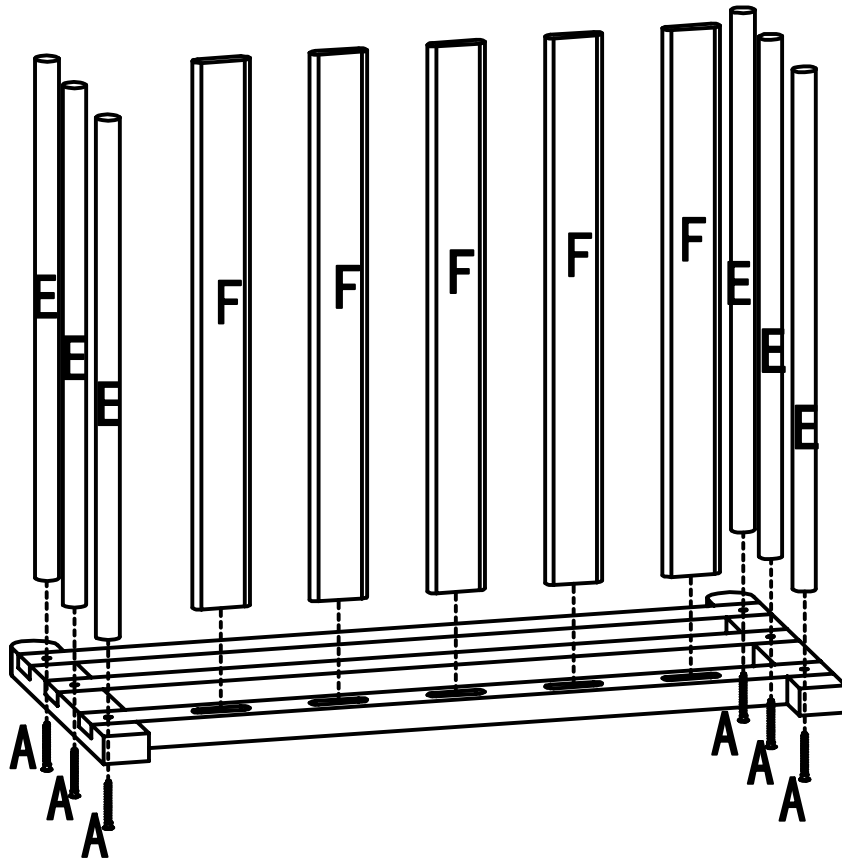


C x 2
G x 1
H x 2

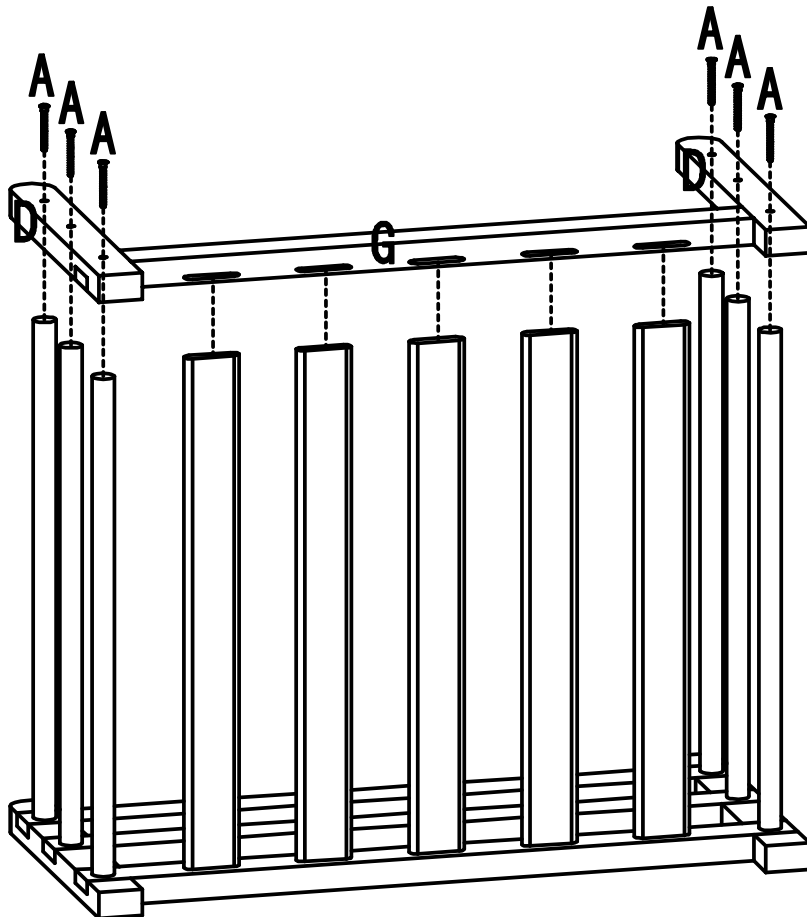
01



A x 6
E x 6
F x 5

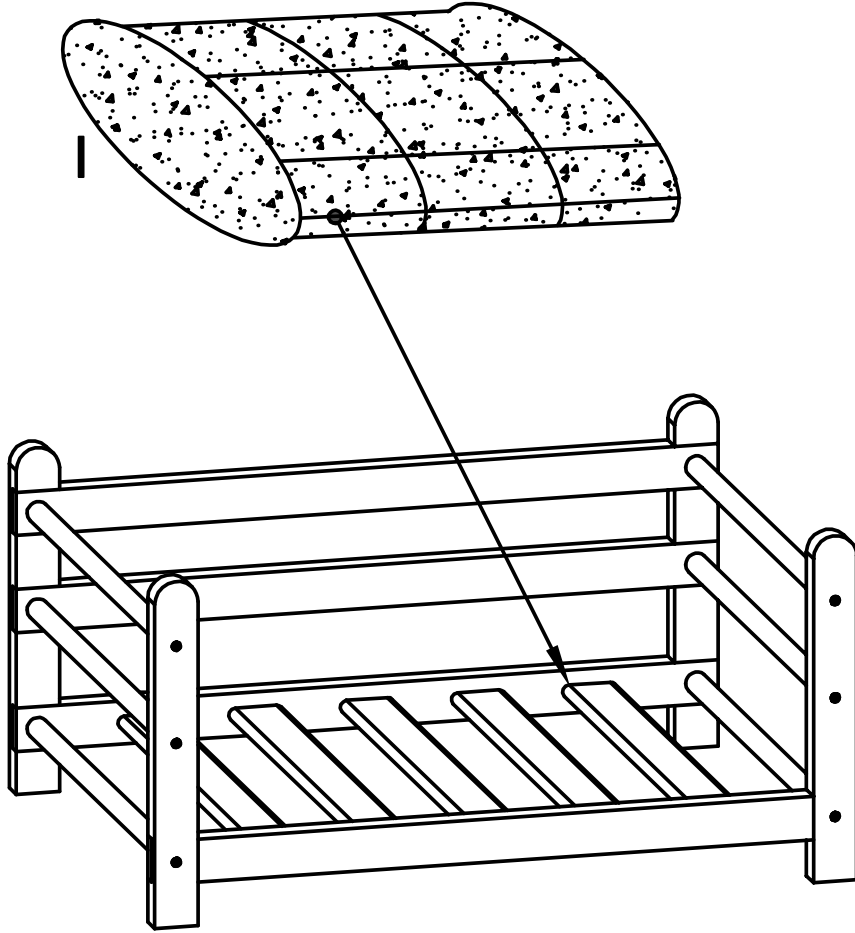


A x 6
D x 2
G x 1



1 x 1

04



Done

