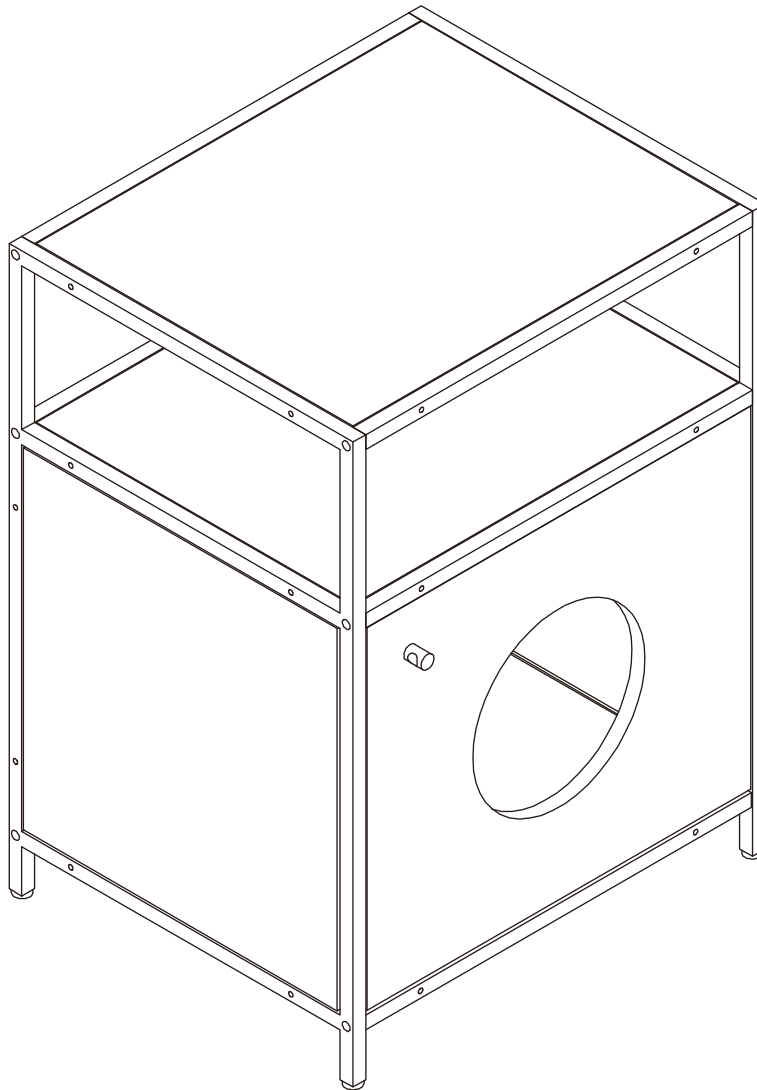


# PawHut

INdbe025\_GL

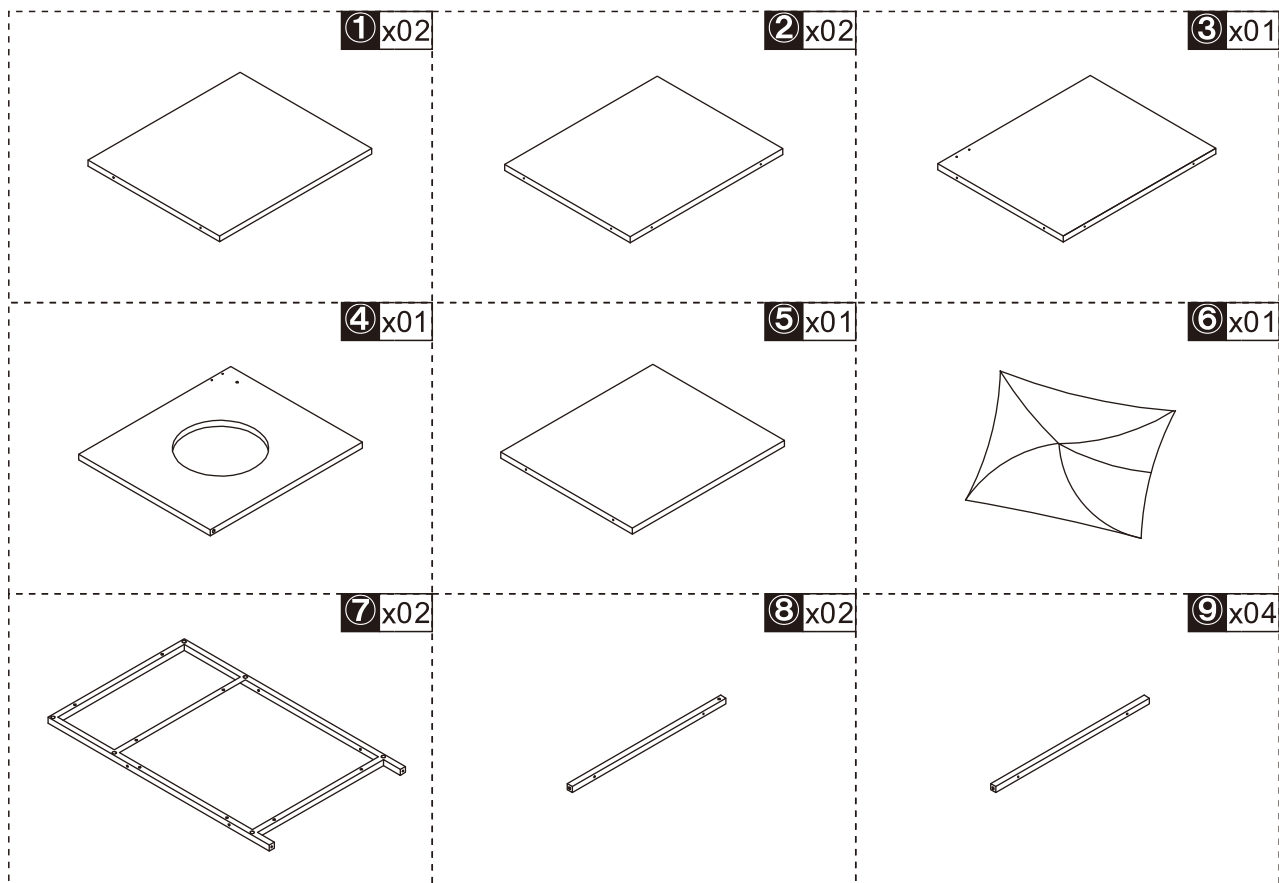
**D30-434**



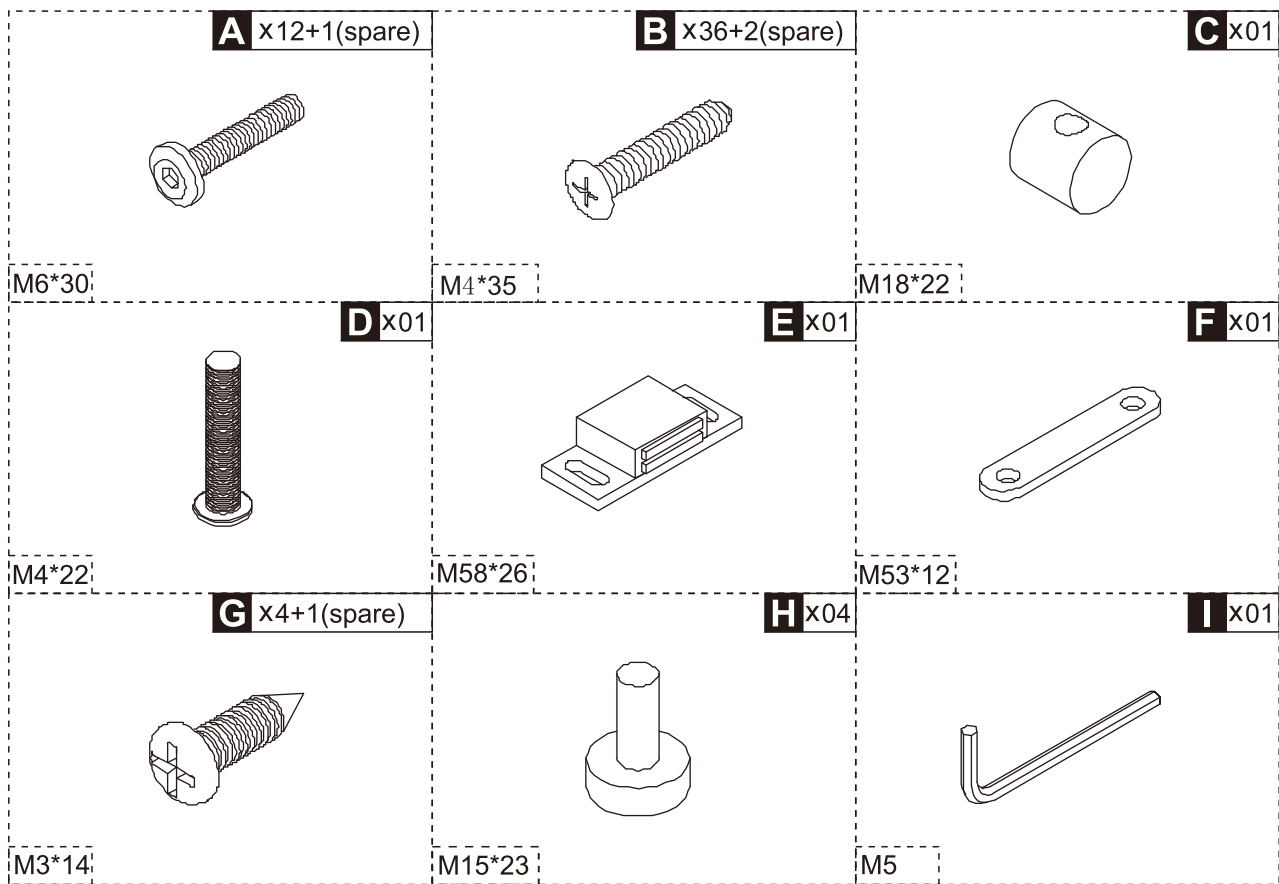
IMPORTANT, RETAIN FOR FUTURE REFERENCE: READ CAREFULLY





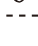
## ASSEMBLY & INSTRUCTION MANUAL

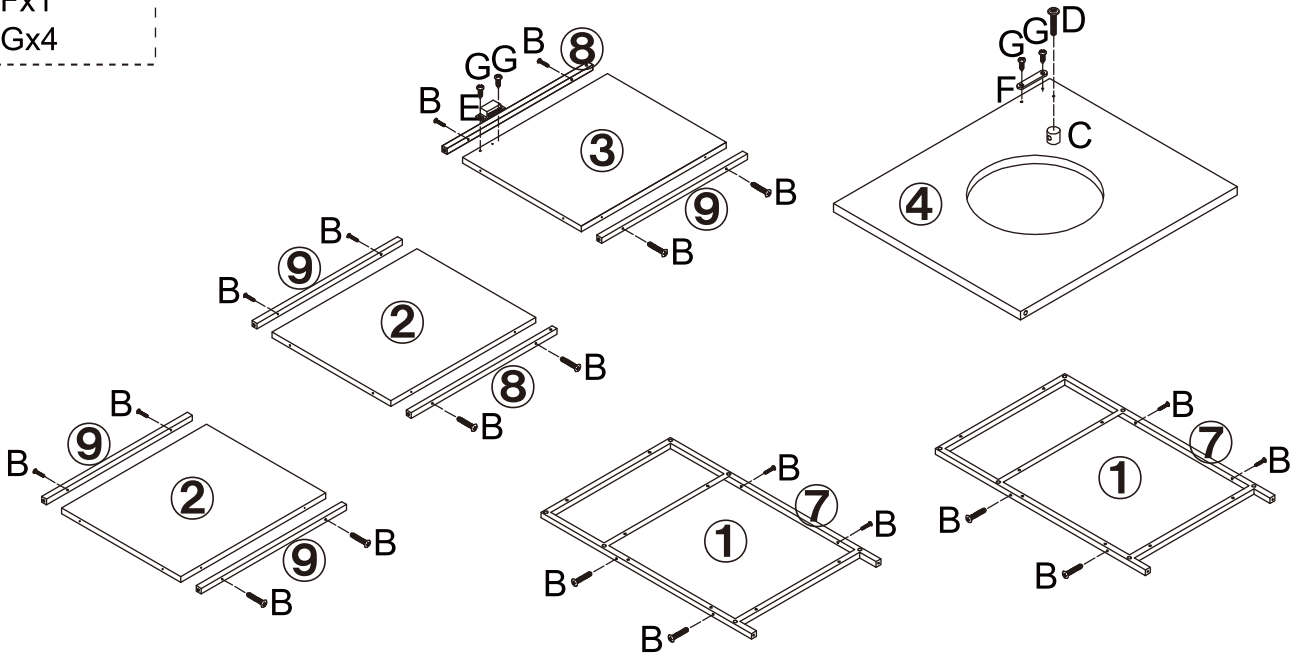
**PARTS**



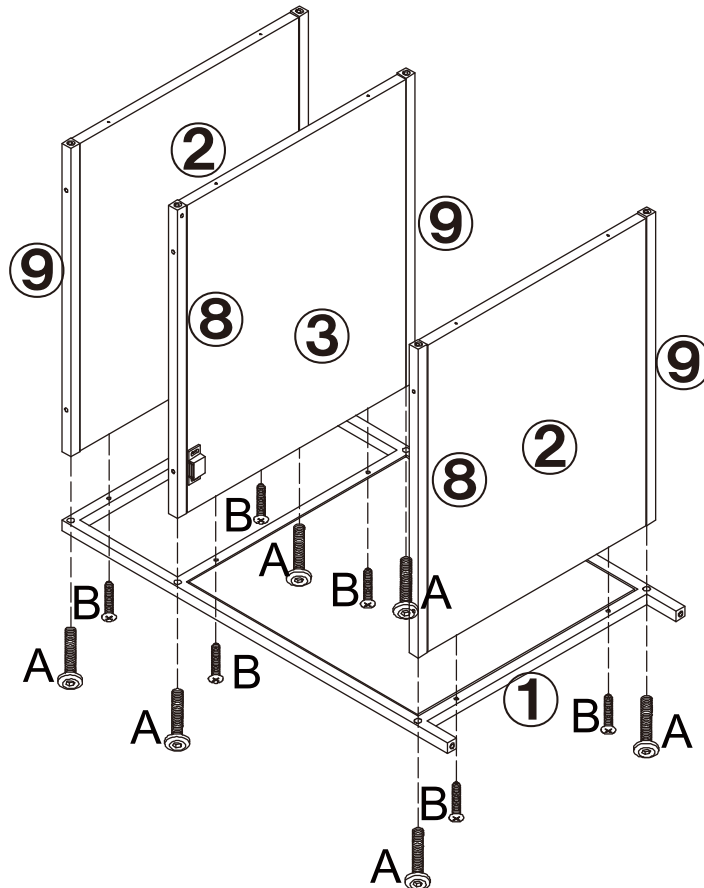
**HARDWARE**



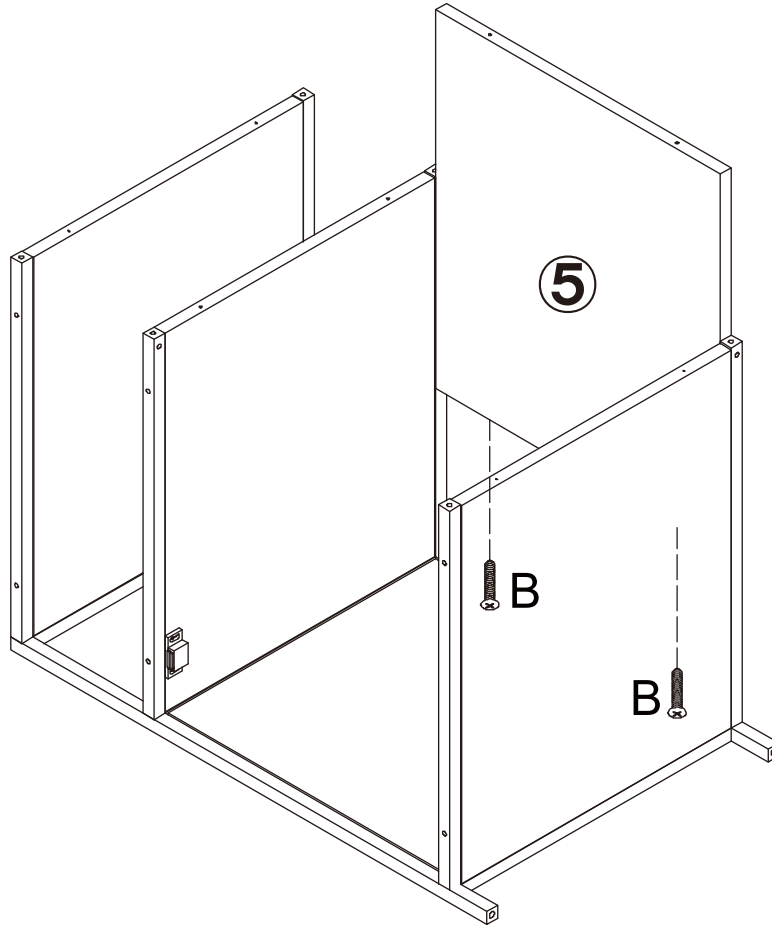
-  Bx20
-  Cx1
-  Dx1
-  Ex1
-  Fx1
-  Gx4



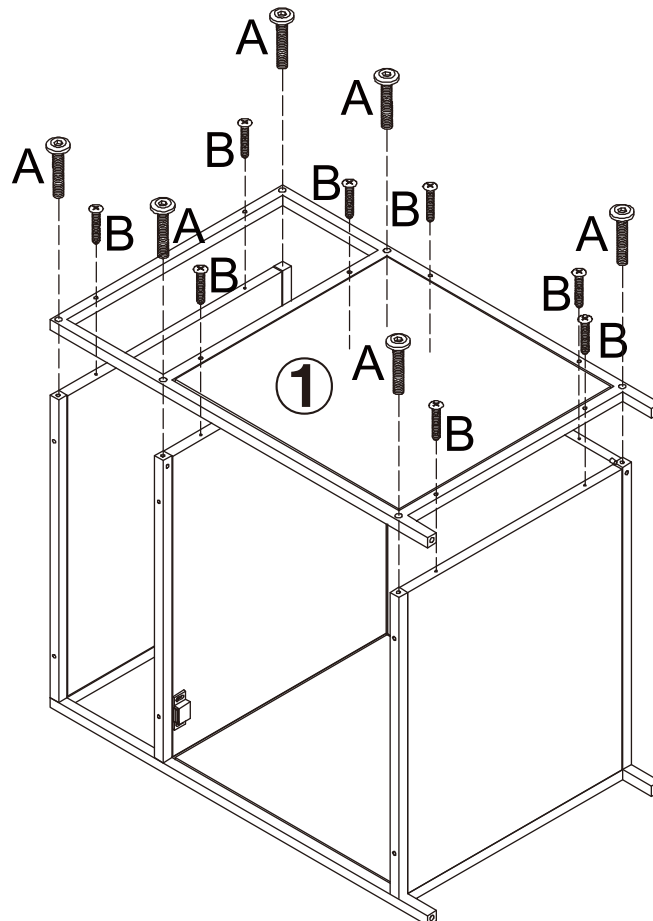
-  Ax6
-  Bx6



Bx2



Ax6  
Bx8



Hx4

