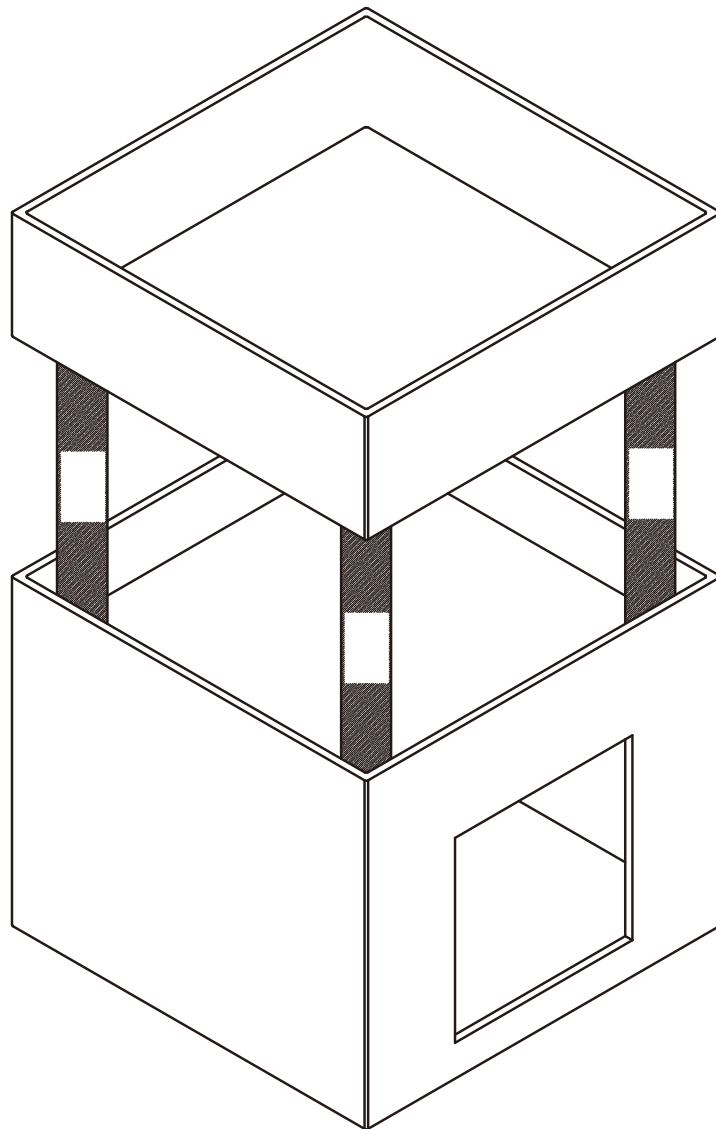


# PawHut

INdbh012\_GL

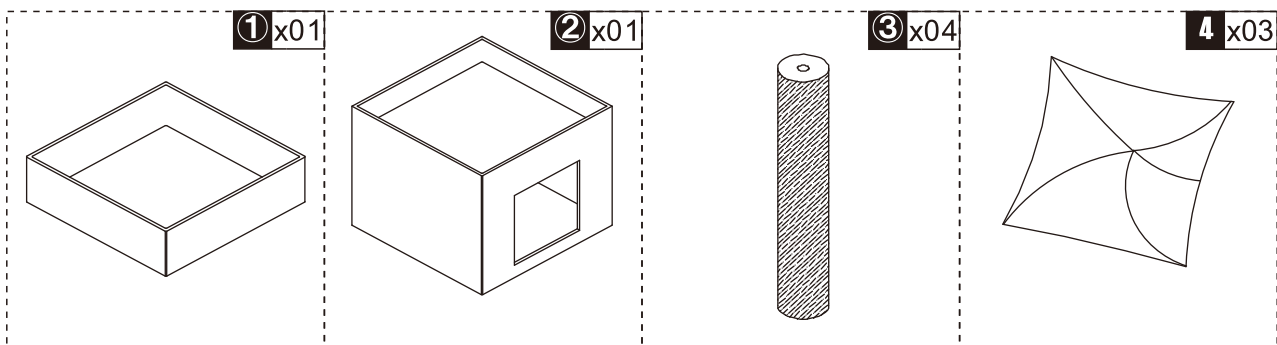
**D30-438**



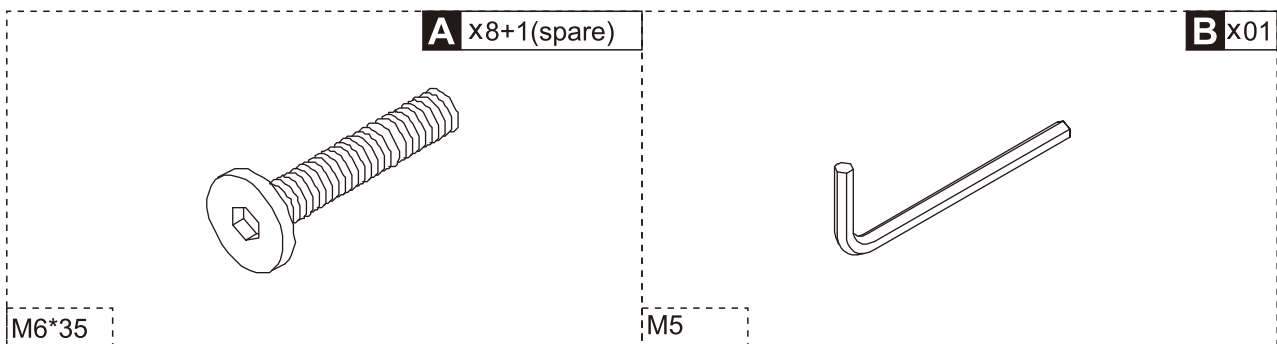
IMPORTANT, RETAIN FOR FUTURE REFERENCE: READ CAREFULLY

## ASSEMBLY & INSTRUCTION MANUAL

**PARTS**

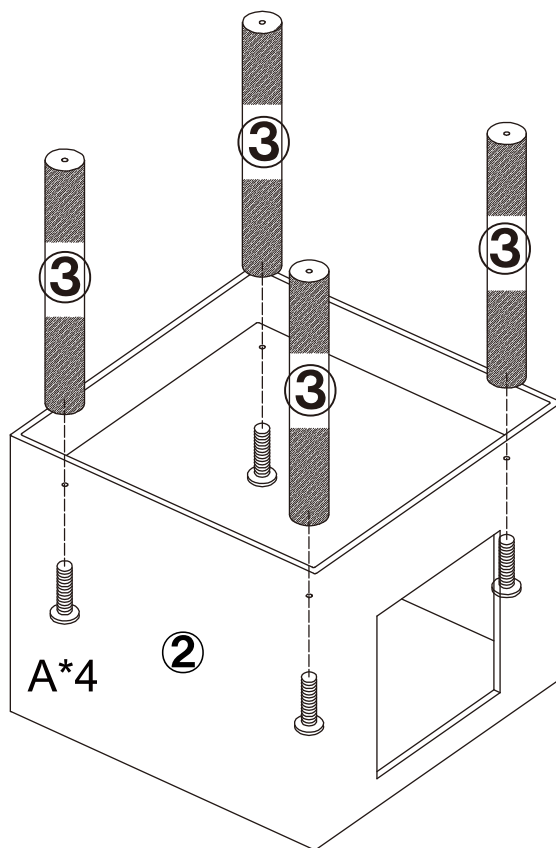


**HARDWARE**



**01**

⌘ Ax4



Ax4

