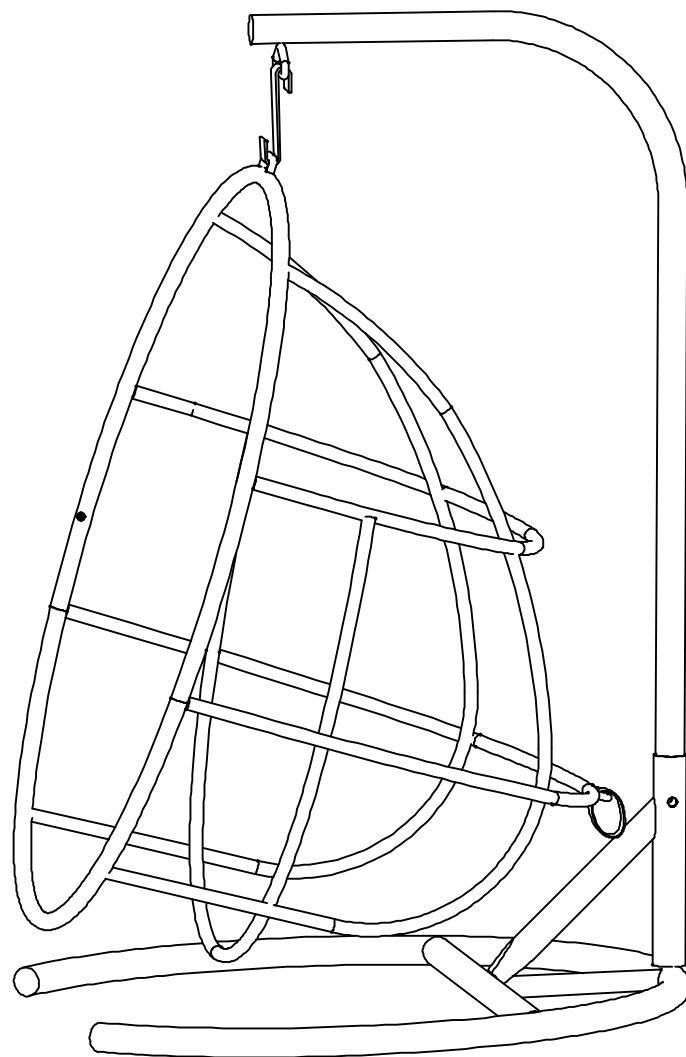


PawHut

INdbh014_GL

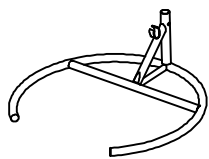
D02-102



IMPORTANT, RETAIN FOR FUTURE REFERENCE: READ CAREFULLY

ASSEMBLY & INSTRUCTION MANUAL

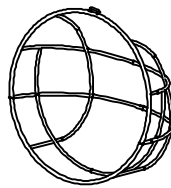
A x1



B x1



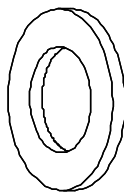
C x1



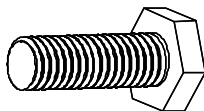
D x1



E x2



F x1



G x1

