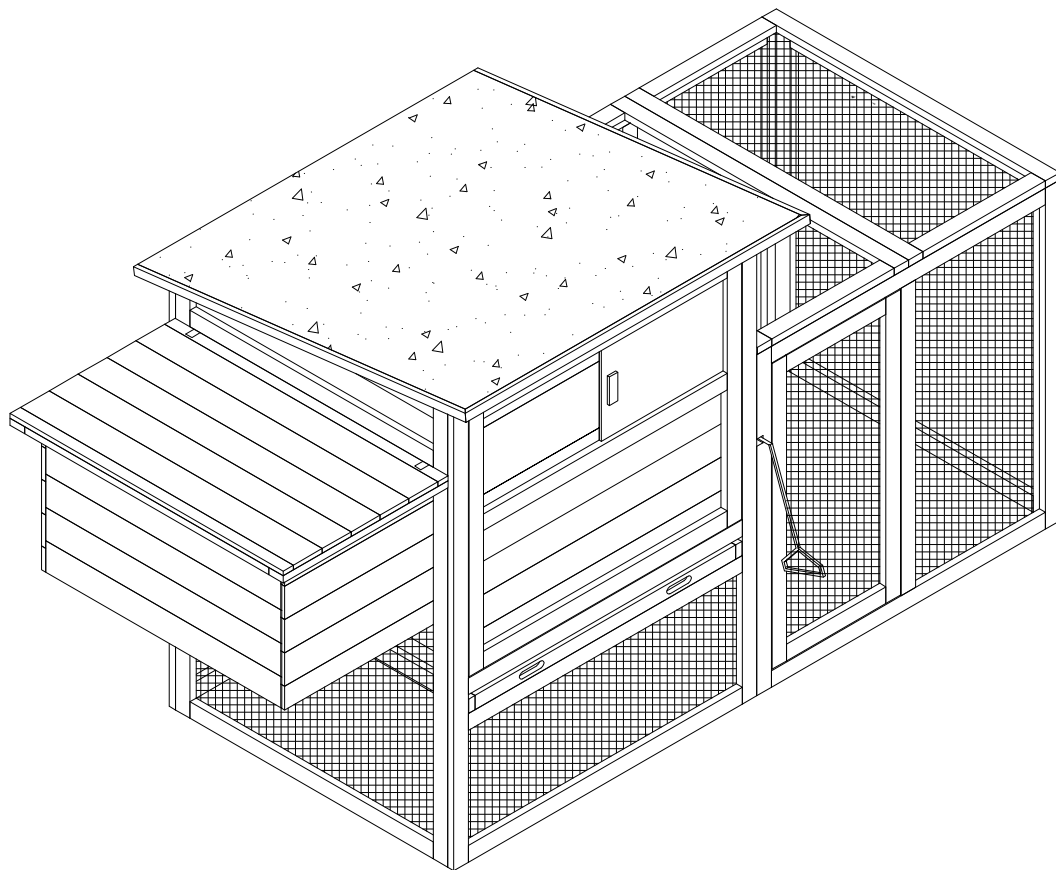


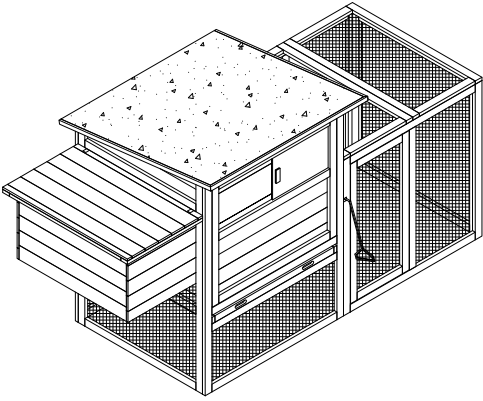
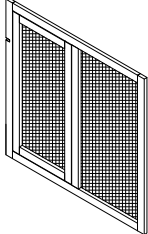
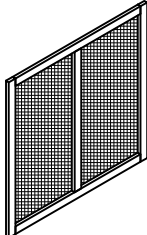
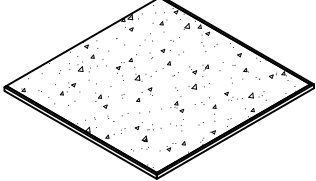
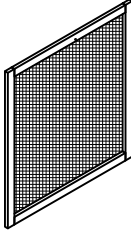
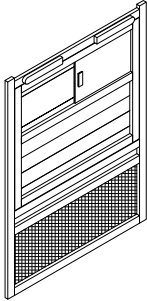
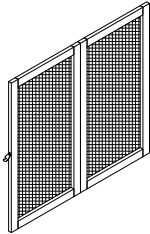
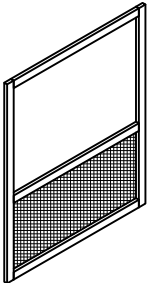
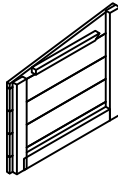
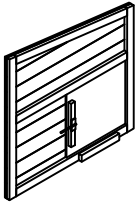
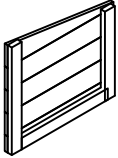
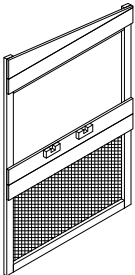
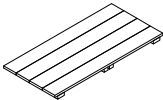
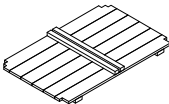
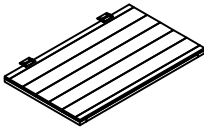
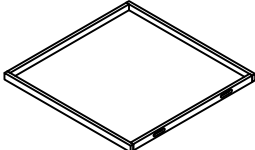
PawHut®

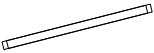
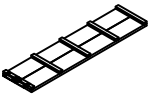
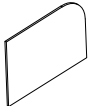









5663-1481

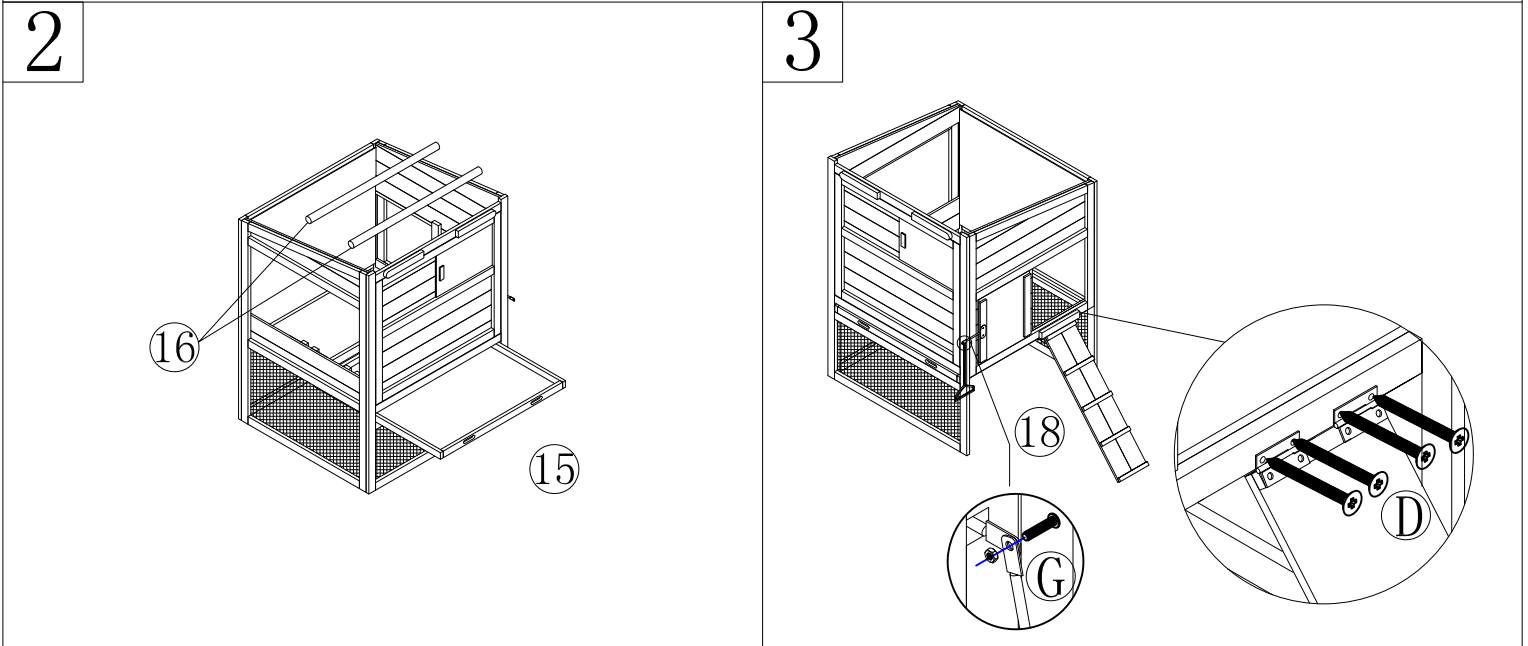
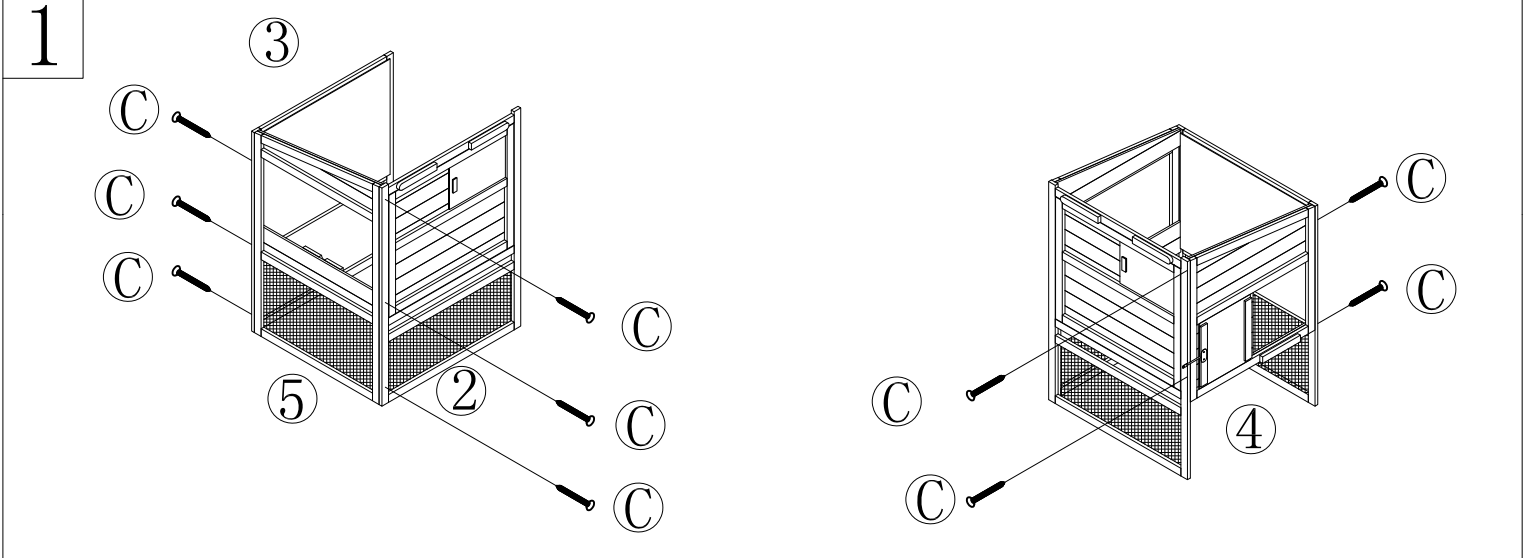


Please read these instructions and warranty information carefully before use and keep them properly for future reference.

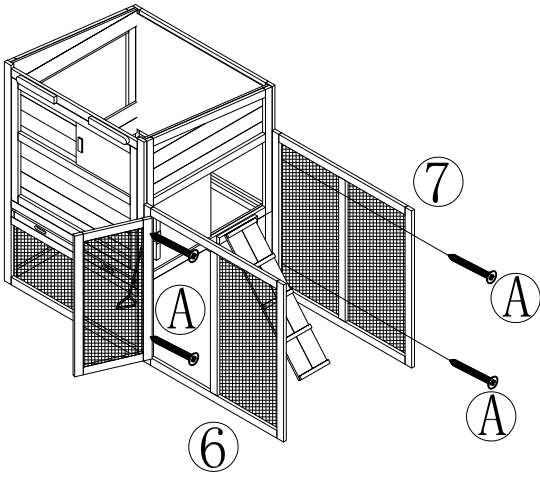
OPERATING INSTRUCTIONS

			6		1pc
			7		1pc
1		1pc	8		1pc
2		1pc	9		1pc
3		1pc	10		1pc
4		1pc	11		1pc
5		1pc	12		1pc
			13		1pc
			14		1pc
			15		1pc

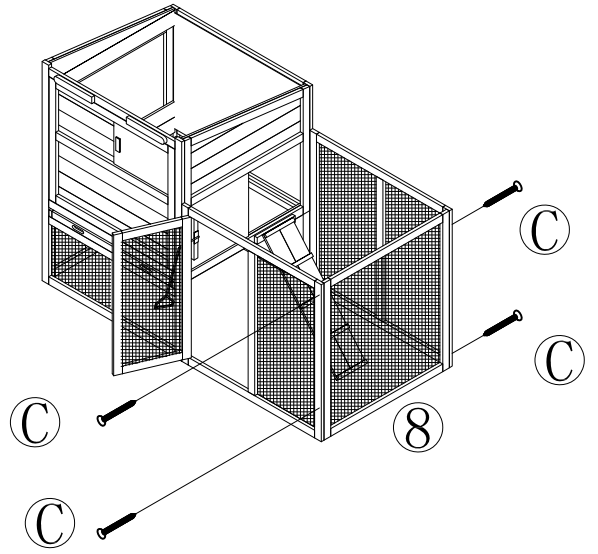
16		2pcs	18		1pc
17		1pc	E	 3*10	4pcs
A	 3.5*50	4pcs	F		1pc
B	 3*25	4pcs	G		1pc
C	 3.5*40	22pcs	H	 Ø 6*45	4pcs
D	 3*16	22pcs	I		2pcs



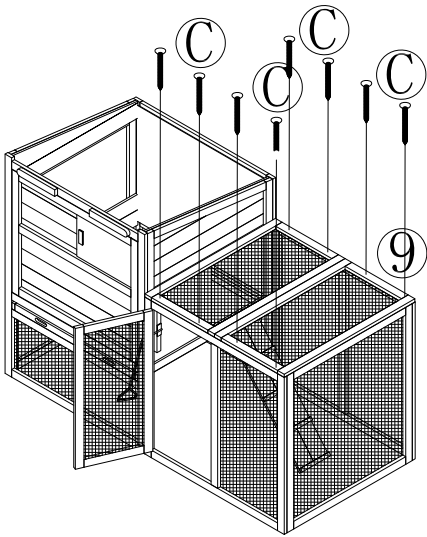
4



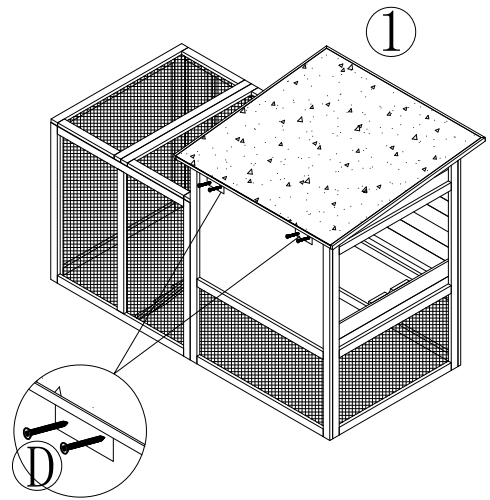
5



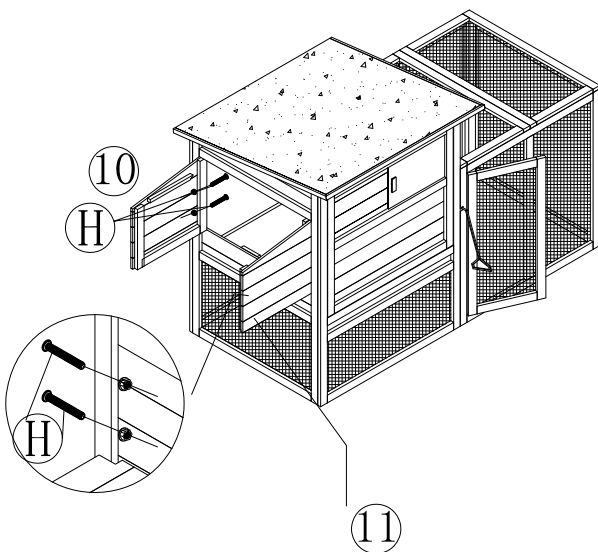
6



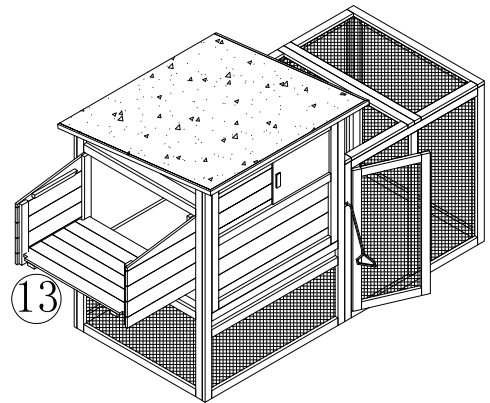
7



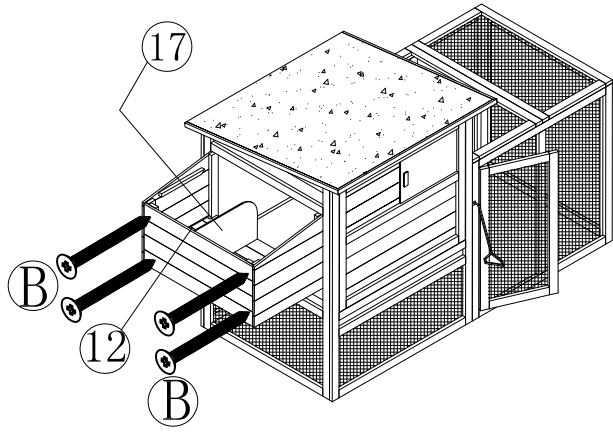
8



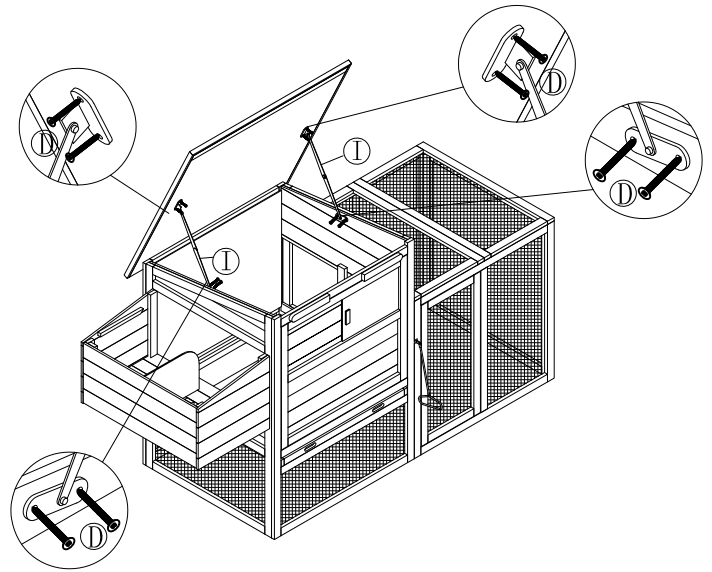
9



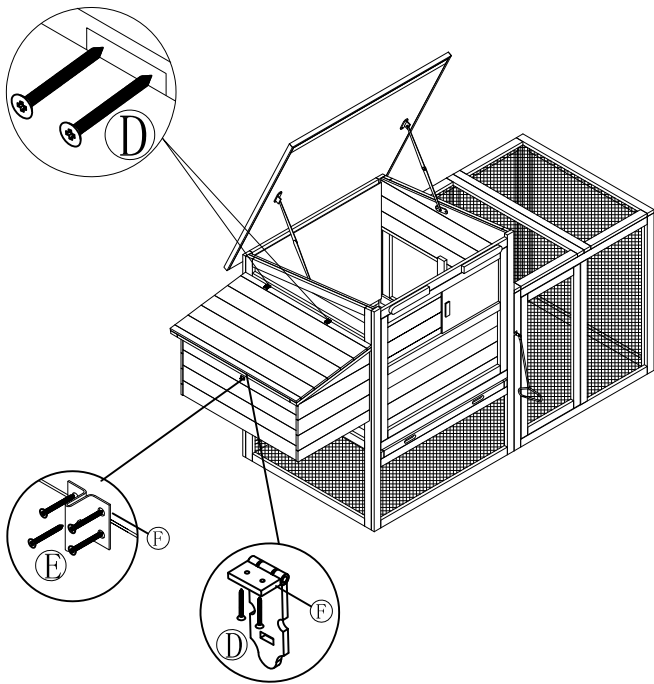
10



11



12



13

