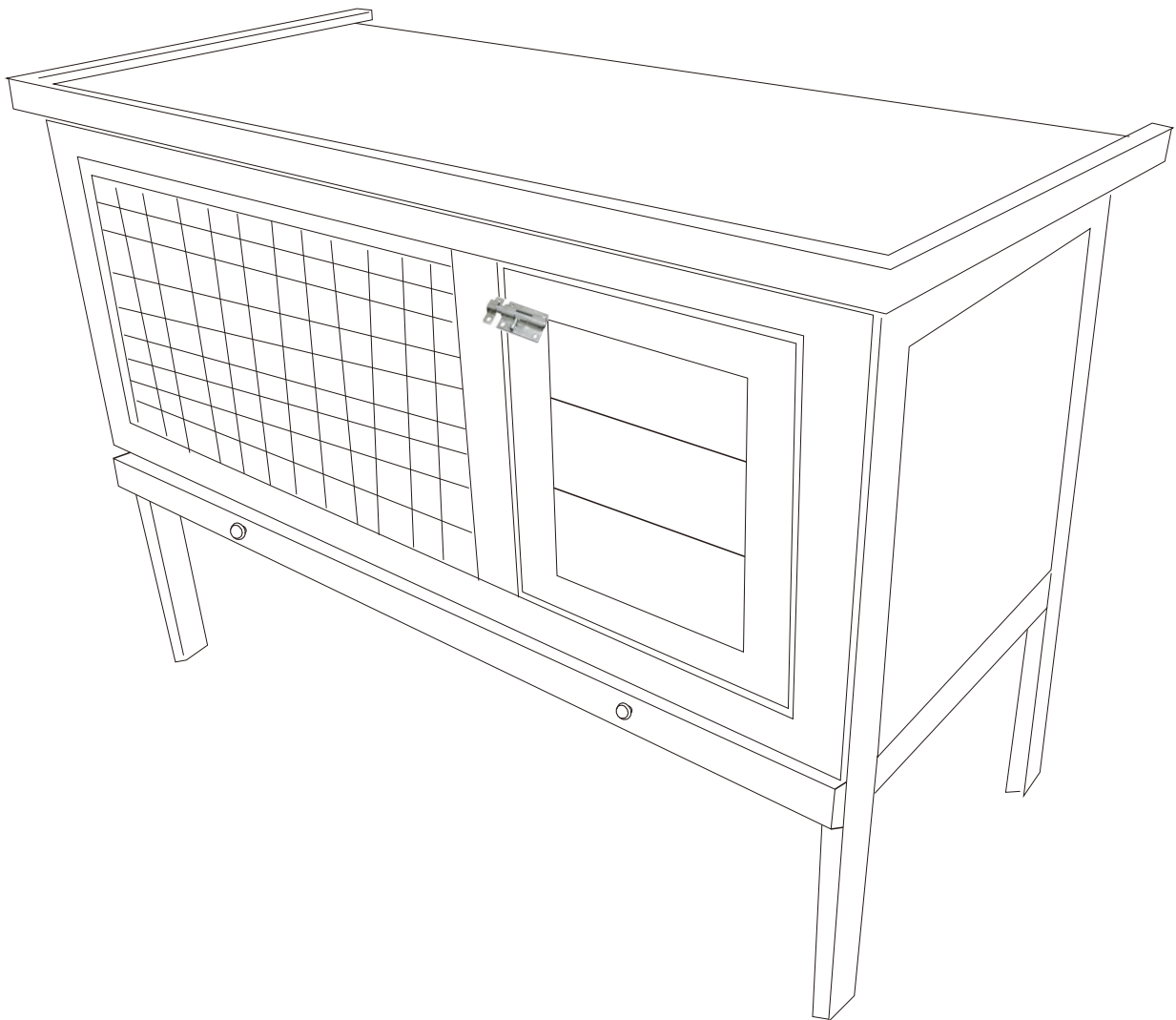


PawHut

INdcb087_GL

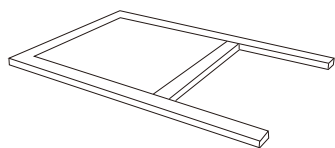
D51-141_D51-067



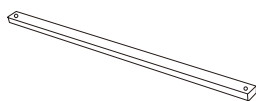
IMPORTANT, RETAIN FOR FUTURE REFERENCE: READ CAREFULLY

ASSEMBLY & INSTRUCTION MANUAL

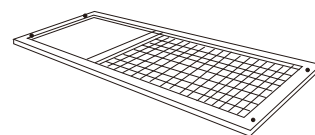
PARTS



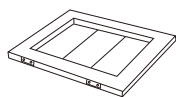
A*2



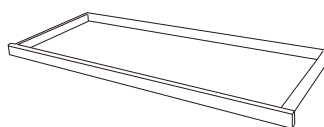
B*2



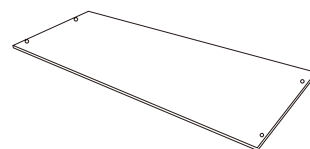
C



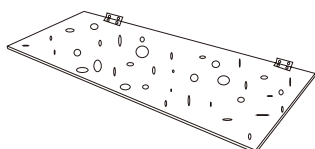
D



E



F



G



H



I*2

HARDWARE



3.5*25mm 4pcs

S1



3.5*20 mm 10+1pcs

S2



3.0*18 mm 11+1pcs

S3



3.0*10mm 4pcs

S4



2.5*10mm 10+1pcs

S5



1pc

S6



1pc

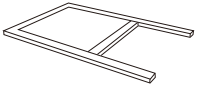
S7



2pcs

S8

A x02



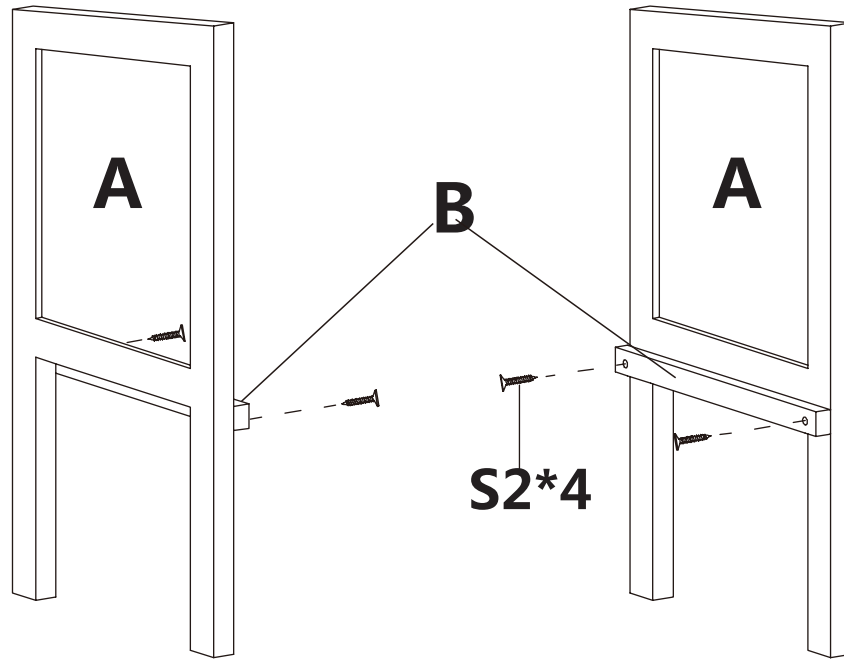
B x02



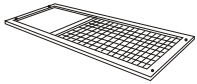
S2 x04



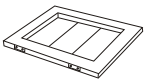
3.5*20mm



C x01



D x01



S6 x01



S7 x01



S2 x02

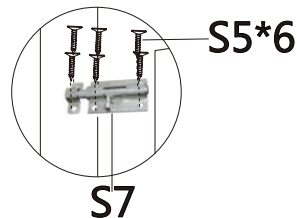
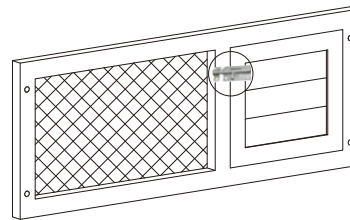
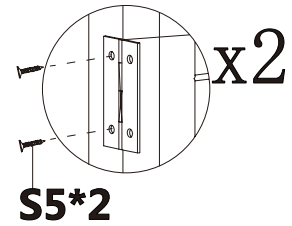
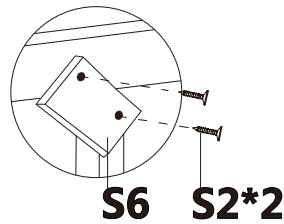
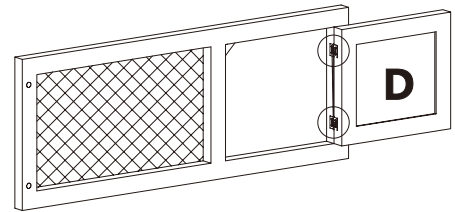
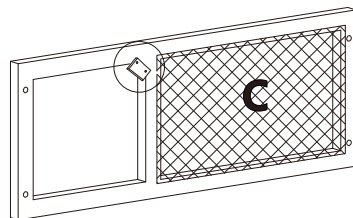


3.5*20mm

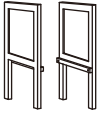
S5 x10



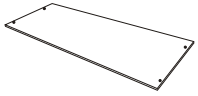
2.5*10mm



01



F x01



S2 x04

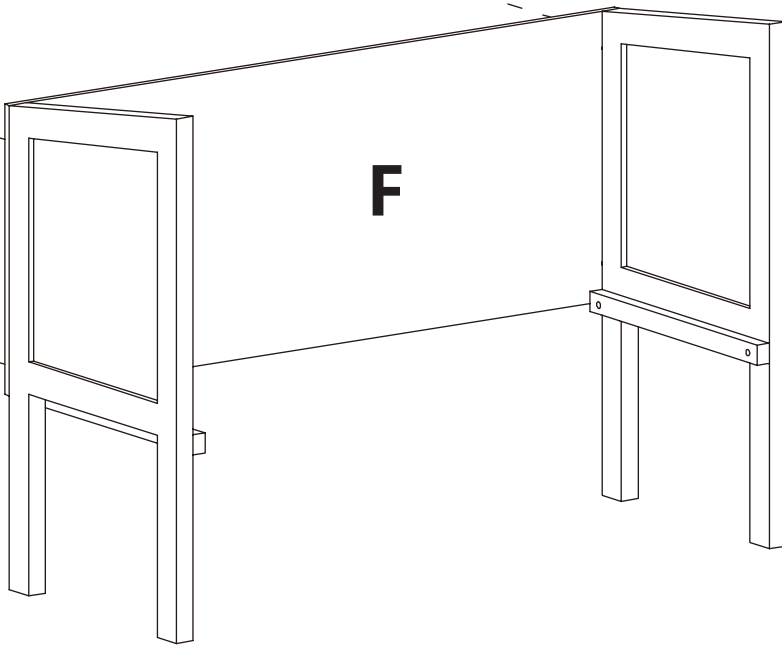


3.5*20mm

S2*4



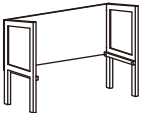
F



02



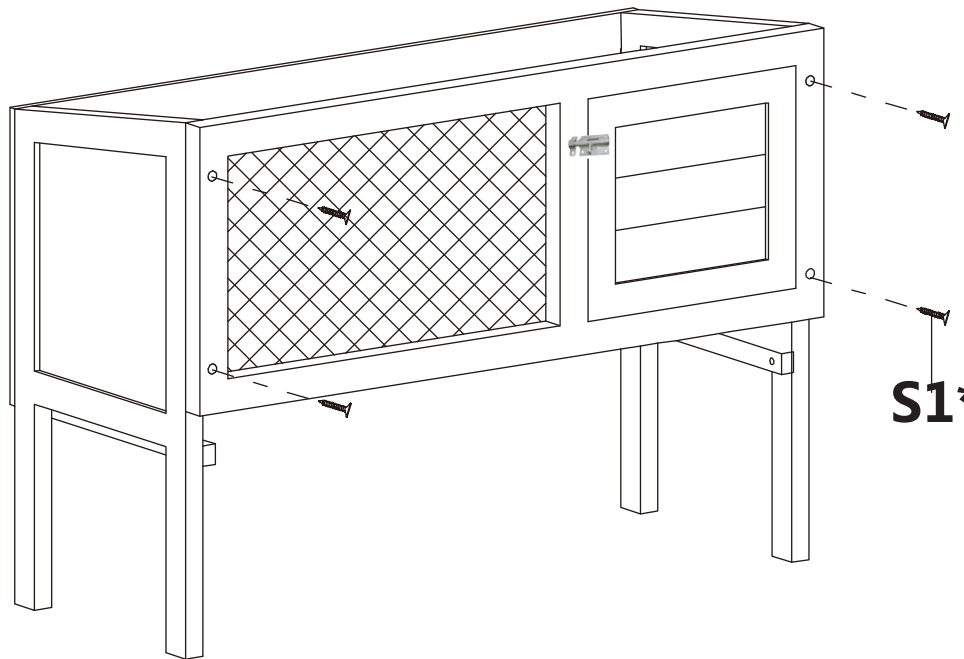
03



S1 x04



3.5*25mm

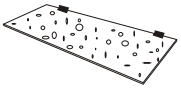


S1*4

04



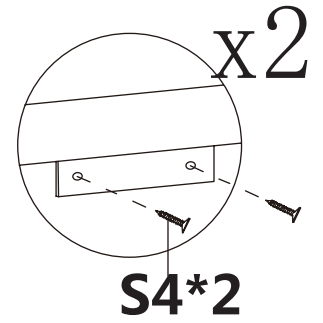
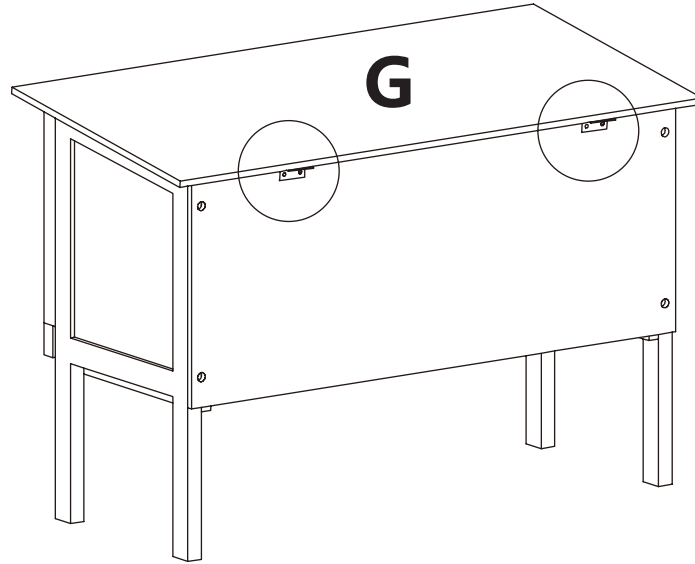
G x01



S4 x04



3.0*10mm



x2

S4*2

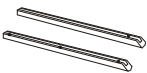
05



H x01



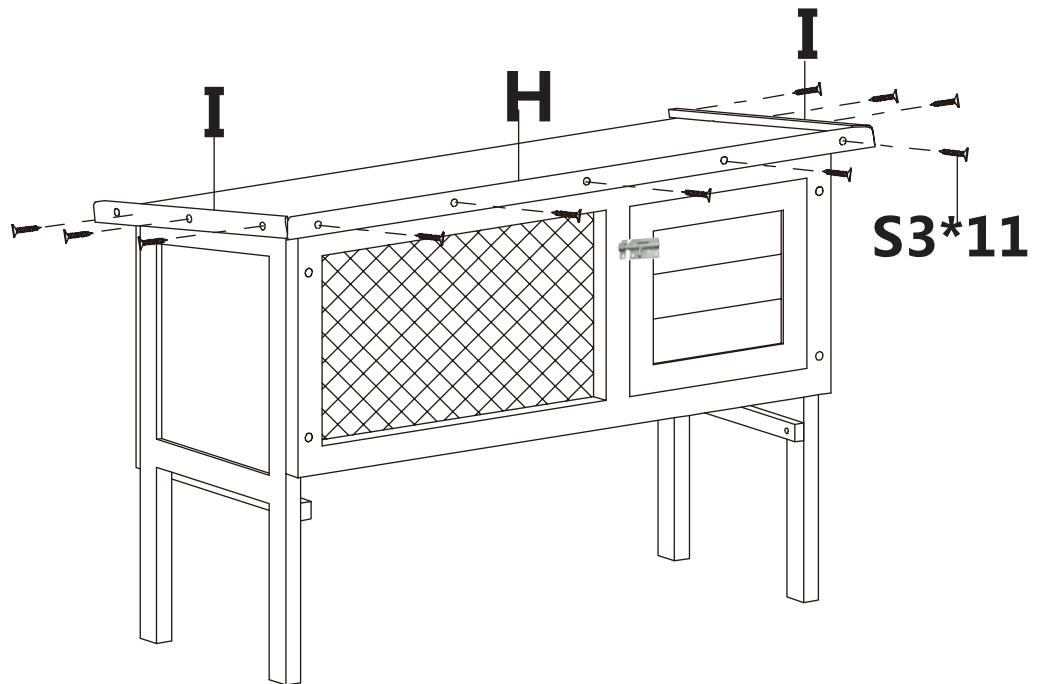
I x02



S3 x11



3.0*18mm



S3*11

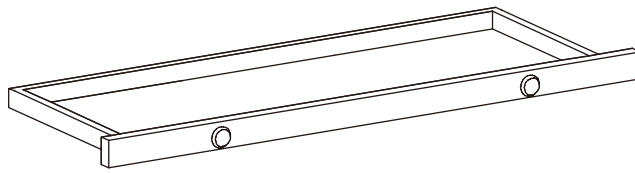
E x01



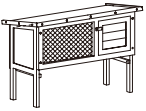
S8 x02



S8*2



06



07

