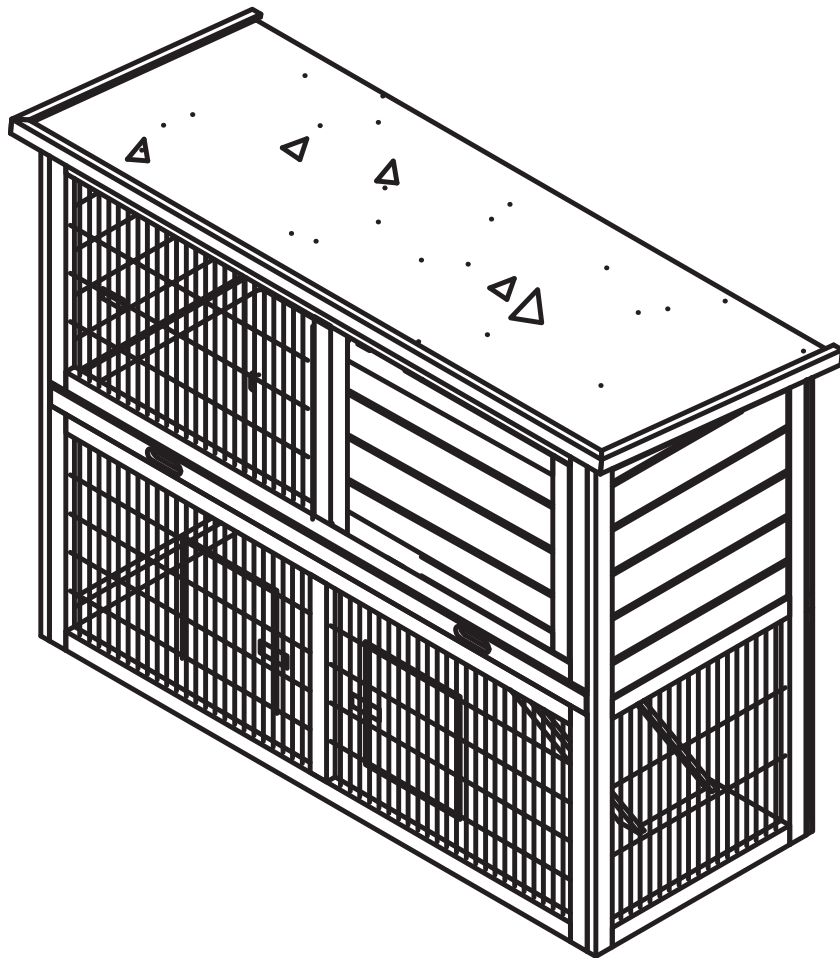


PawHut!

INdcd002V01_GL

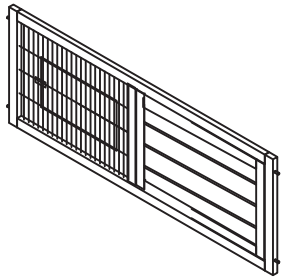
D2-0048



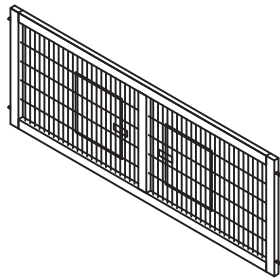
READ AND SAVE THIS INSTRUCTIONS FOR FUTURE USE

ASSEMBLY & INSTRUCTION MANUAL

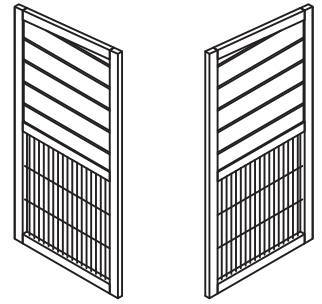
Part List



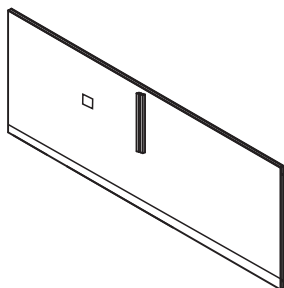
①



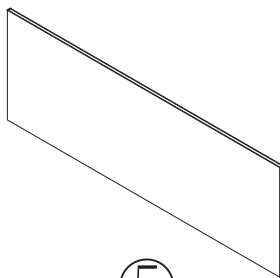
②



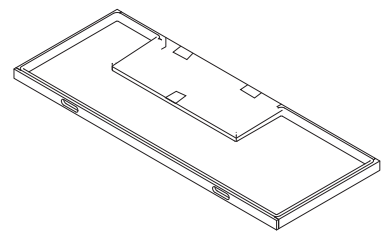
③



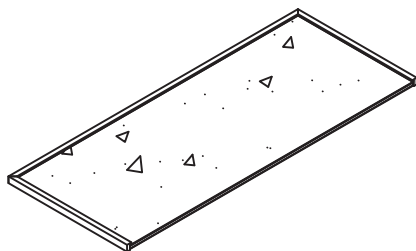
④



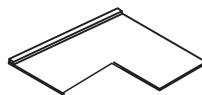
⑤



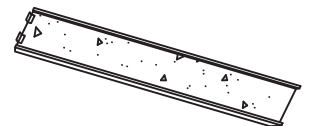
⑥



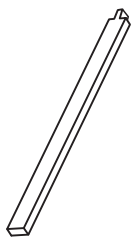
⑦



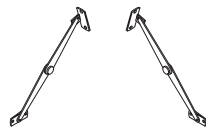
⑧



⑨



⑩



A

L\R

2PCS



B

M3.5*30

21pcs



C

M3*15

4pcs



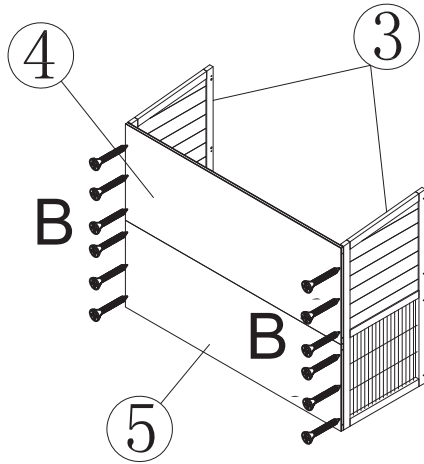
D

M3*10

12pcs

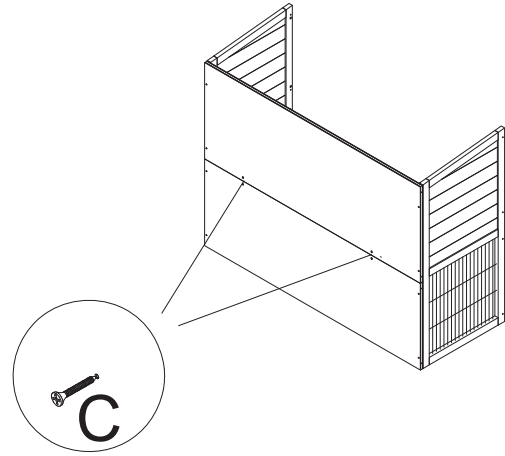
Assembly Instructions

B M3.5*30 12pcs



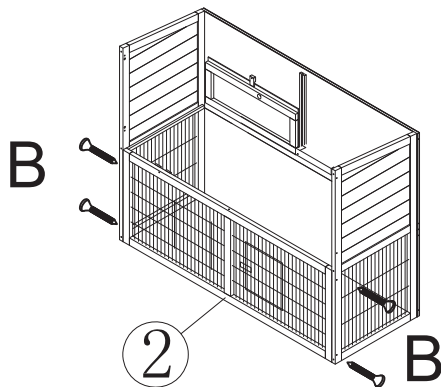
STEP 1

C M3*15 2pcs



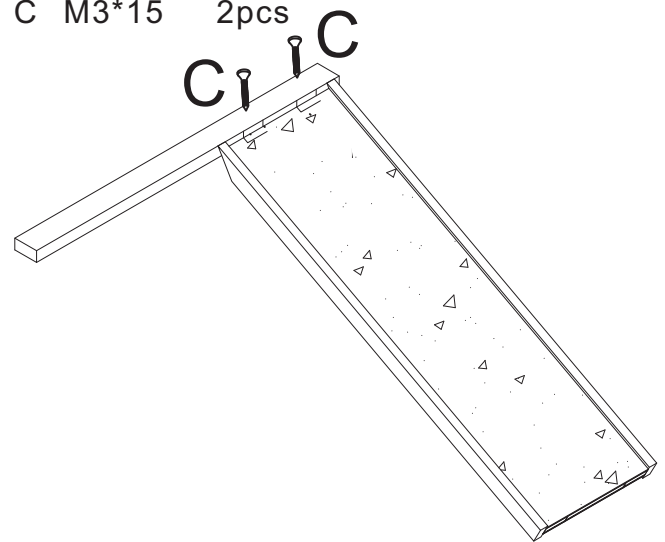
STEP 2

B M3.5*30 4pcs



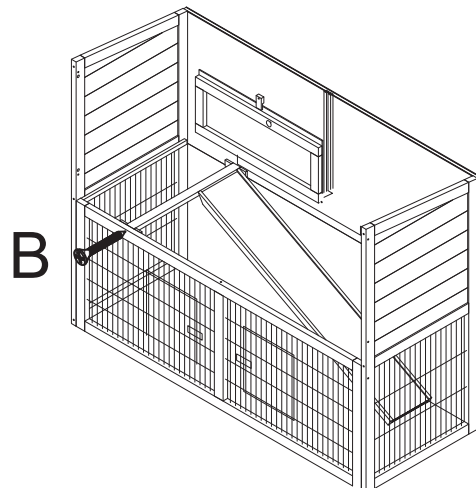
STEP 3

C M3*15 2pcs



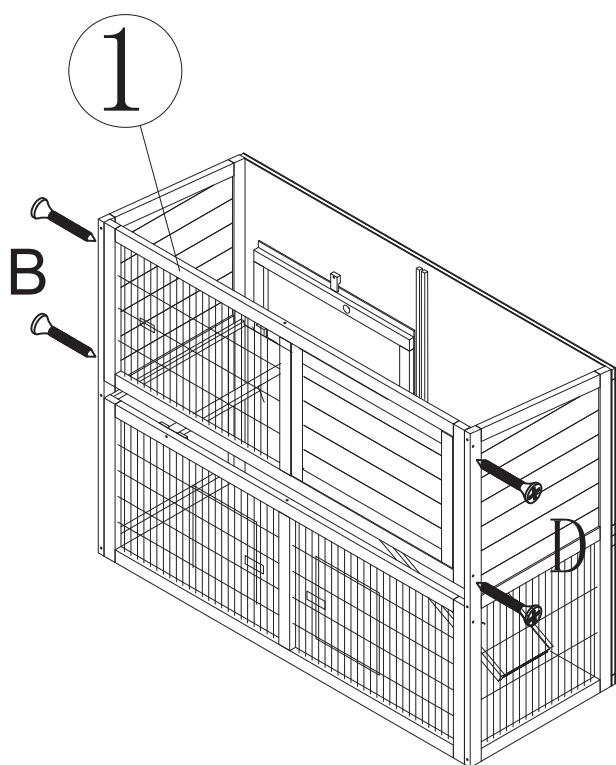
STEP 4

B M3.5*30 1pcs

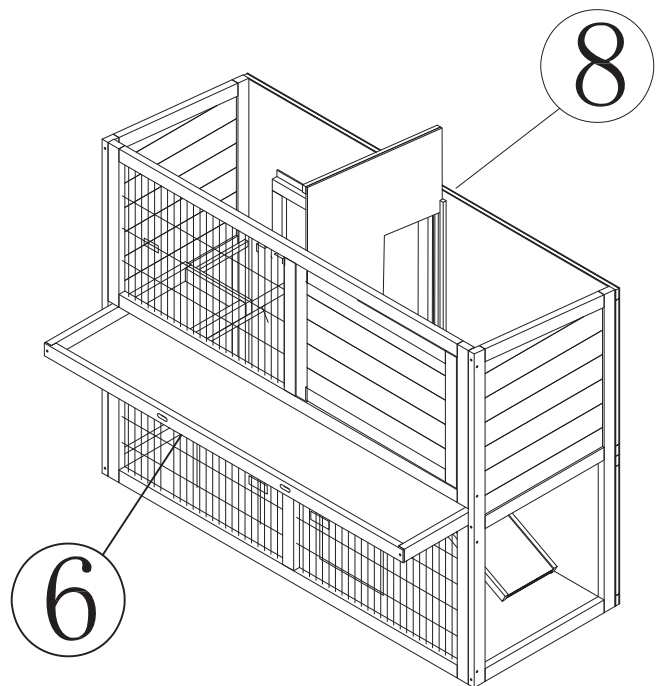


STEP 5

B M3.5*30 4pcs

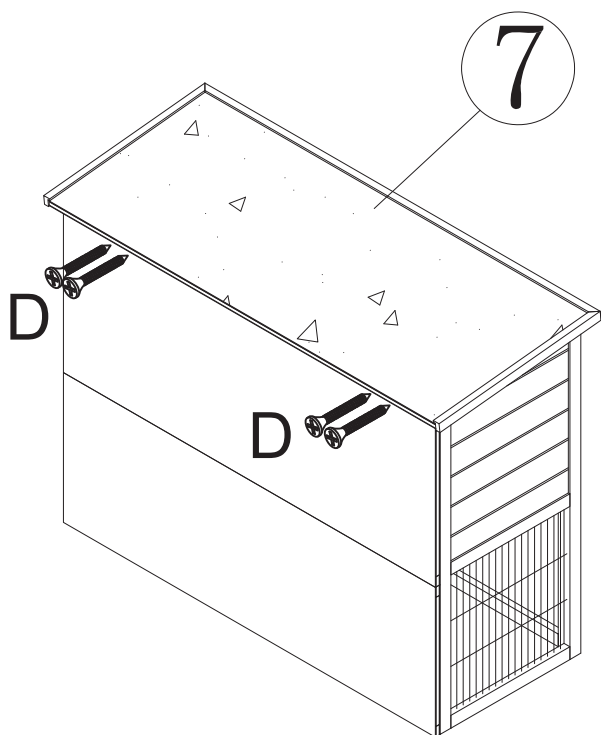


STEP 6



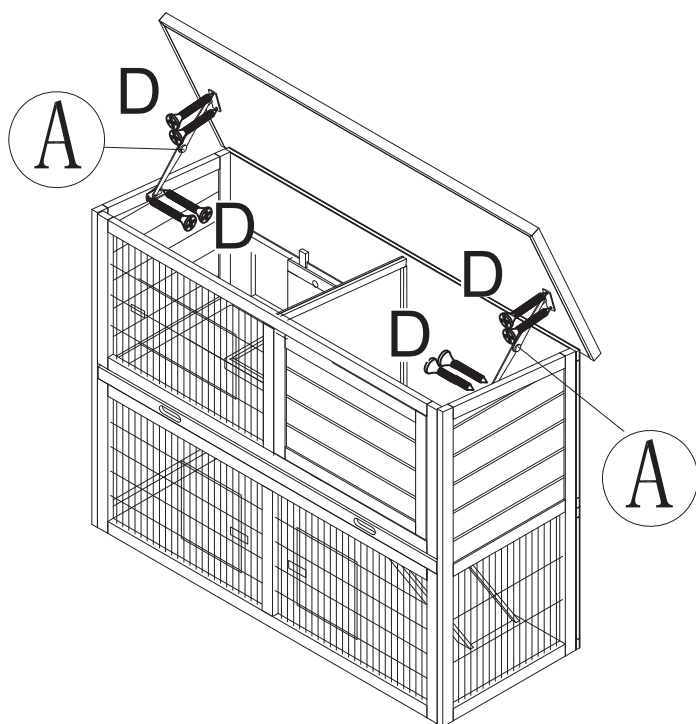
STEP 7

D M3*10 4pcs



STEP 8

D M3*10 8pcs



STEP 9

US



001-877-644-9366
customerservice@aosom.com

CA



001-855-537-6088
customerservice@aosom.ca

UK



0044-800-240-4004
enquiries@mhstar.co.uk

DE



0049-(0)40-88307530
service@aosom.de

FR



0033-1-84166106
contact@aosom.fr

ES



0034-931294512
atencioncliente@aosom.es

IT



0039-0249471447
clienti@aosom.it