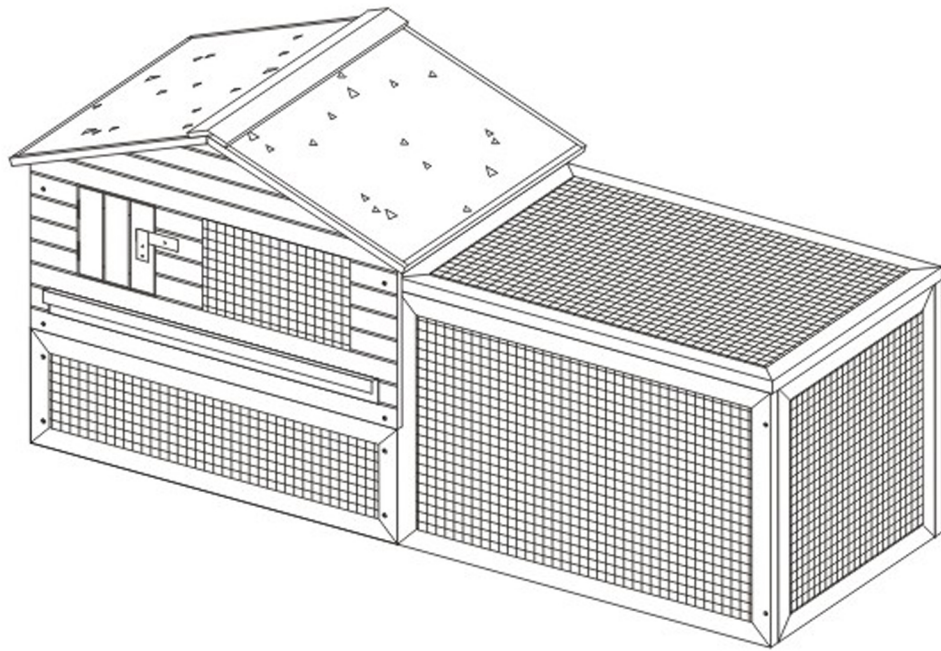


# PawHut®

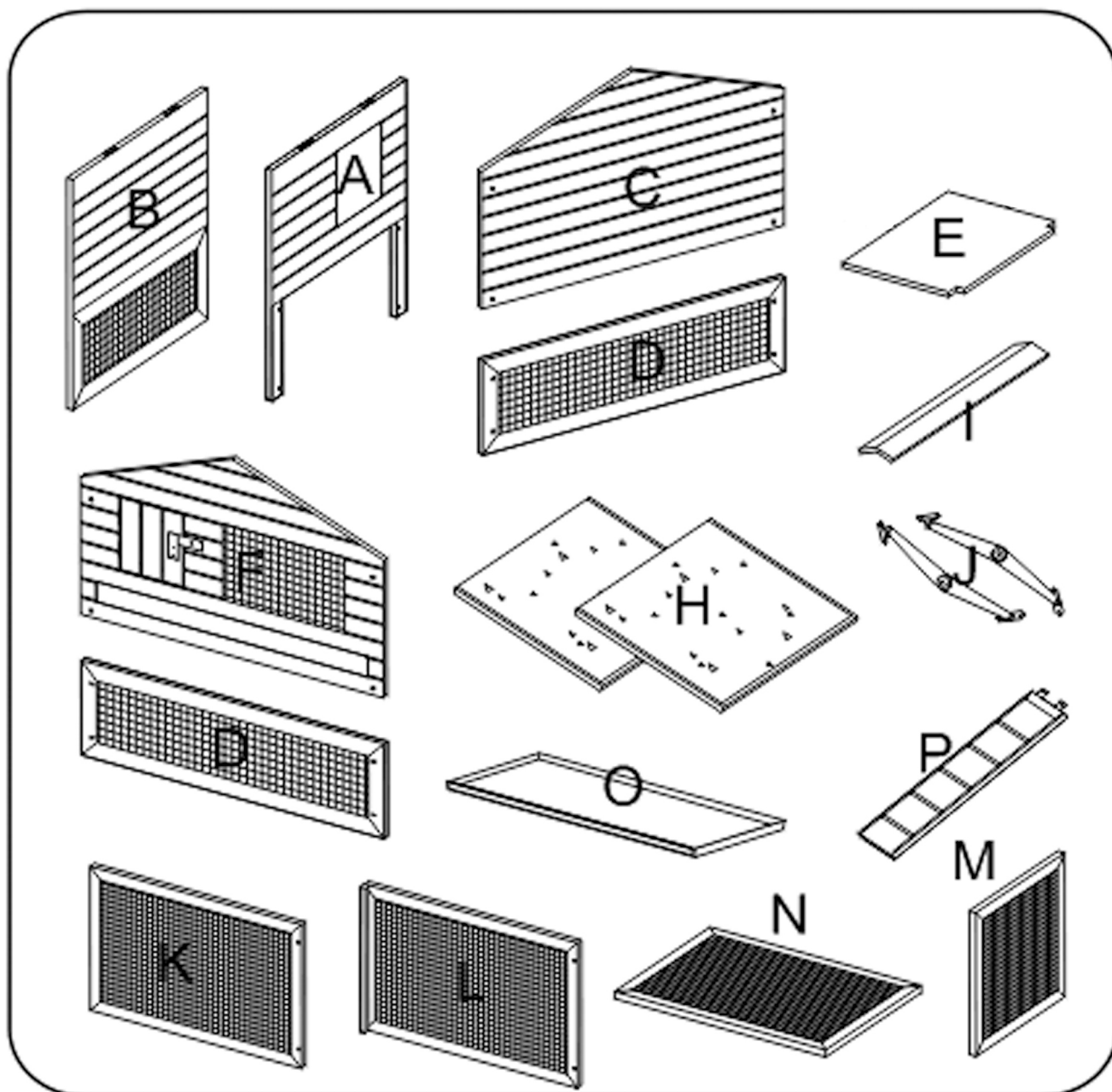
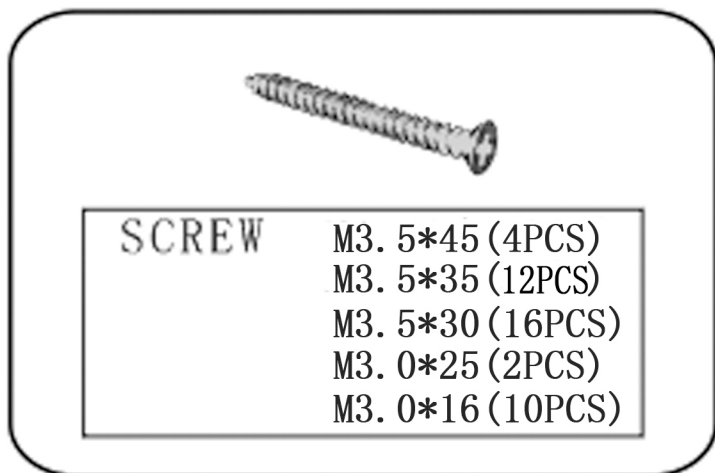
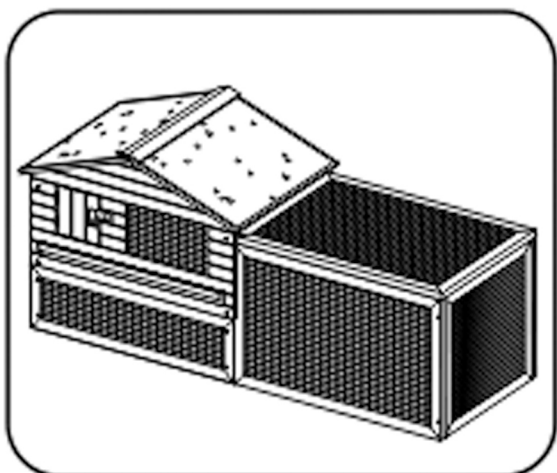
D2-0045



Please read these instructions and warranty information carefully before use and keep them properly for future reference.

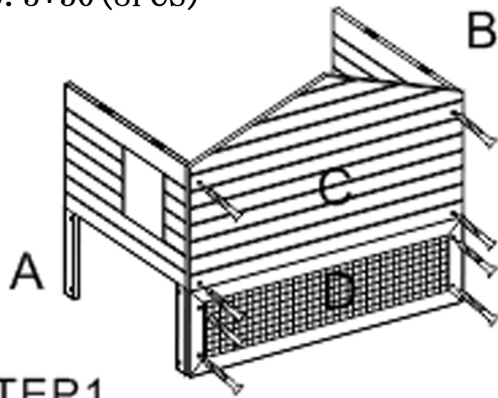
OPERATING INSTRUCTIONS

# Part List



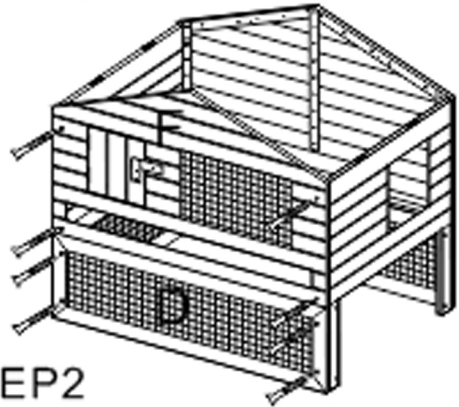
# Assembly Instructions

M3. 5\*30 (8PCS)

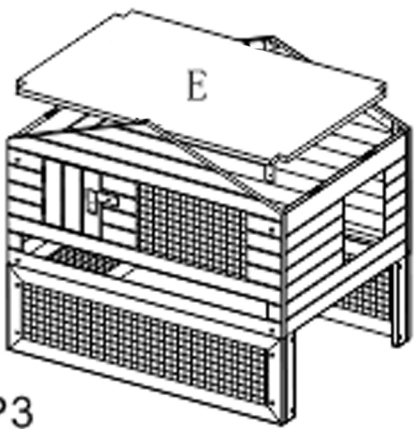


STEP 1

M3. 5\*30 (8PCS)



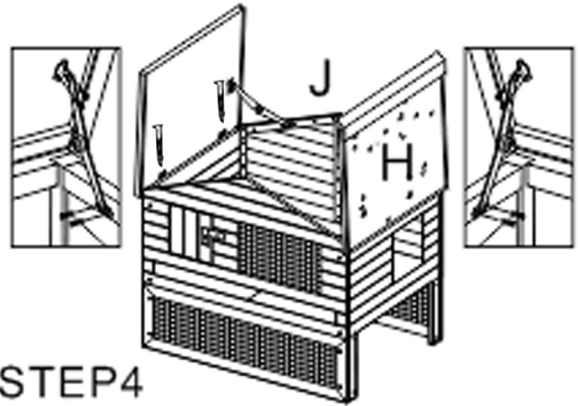
STEP 2



STEP 3

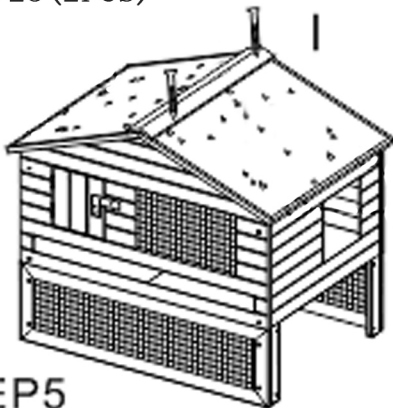
M3. 0\*16 (8PCS)

M3. 5\*45 (4PCS)



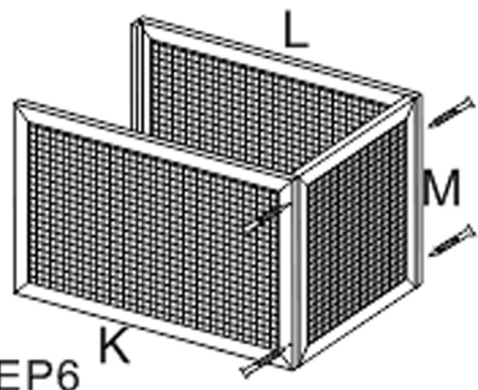
STEP 4

M3. 0\*25 (2PCS)



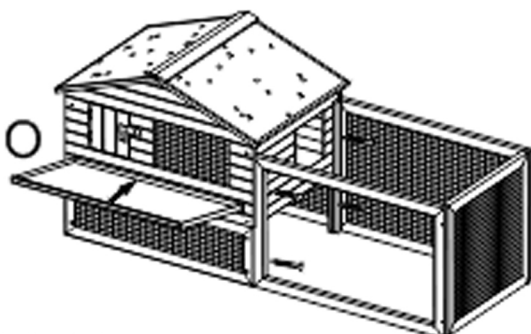
STEP 5

M3. 5\*35 (4PCS)



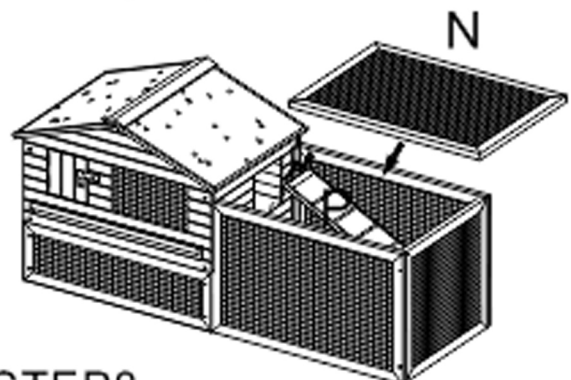
STEP 6

M3. 5\*35 (4PCS)



STEP 7

M3. 0\*16 (2PCS)



STEP 8