
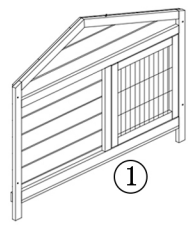
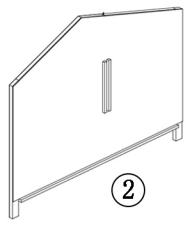


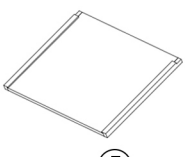
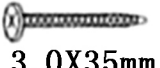
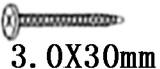
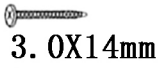


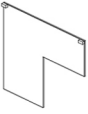
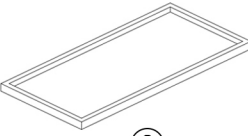
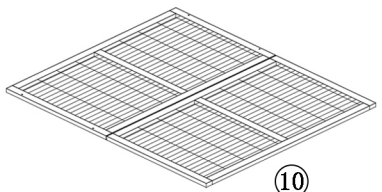
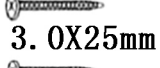
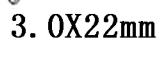

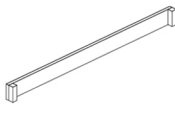
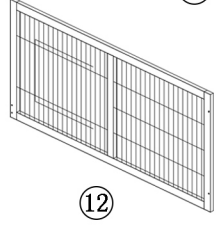
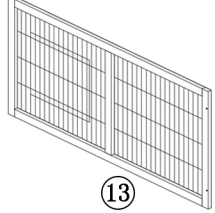
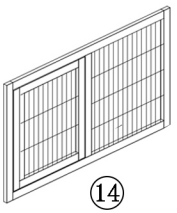

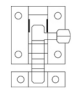
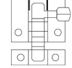






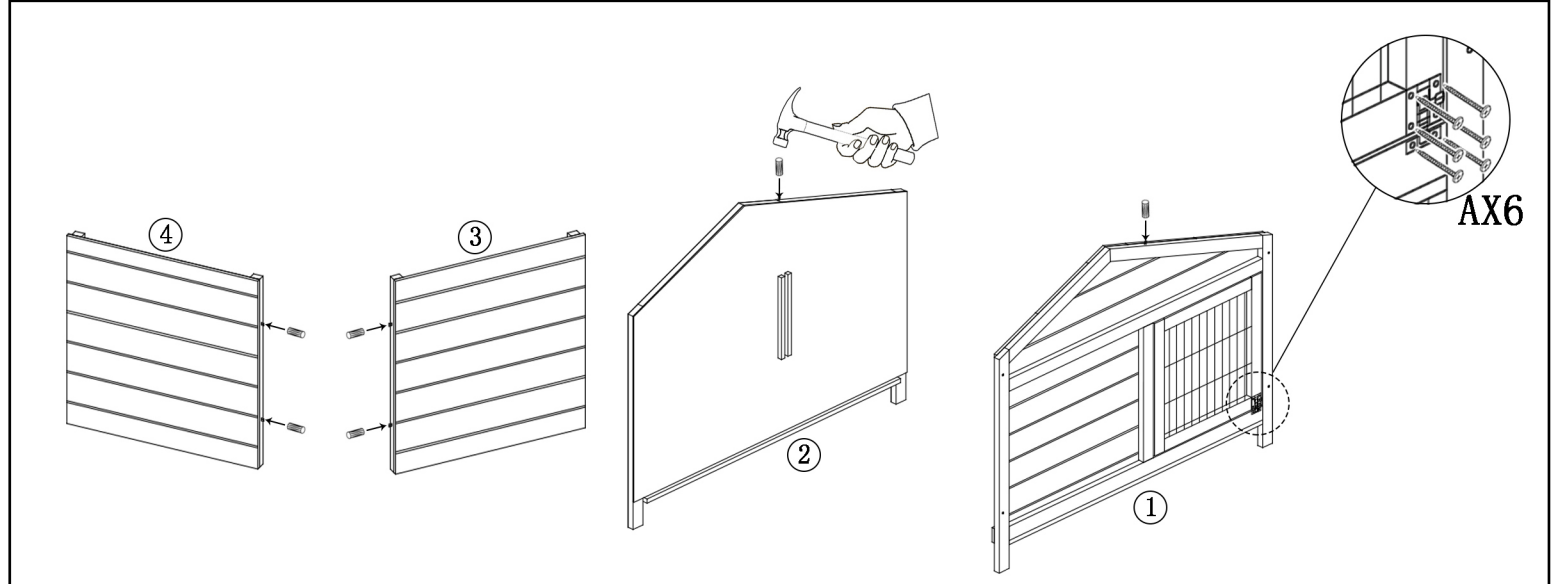
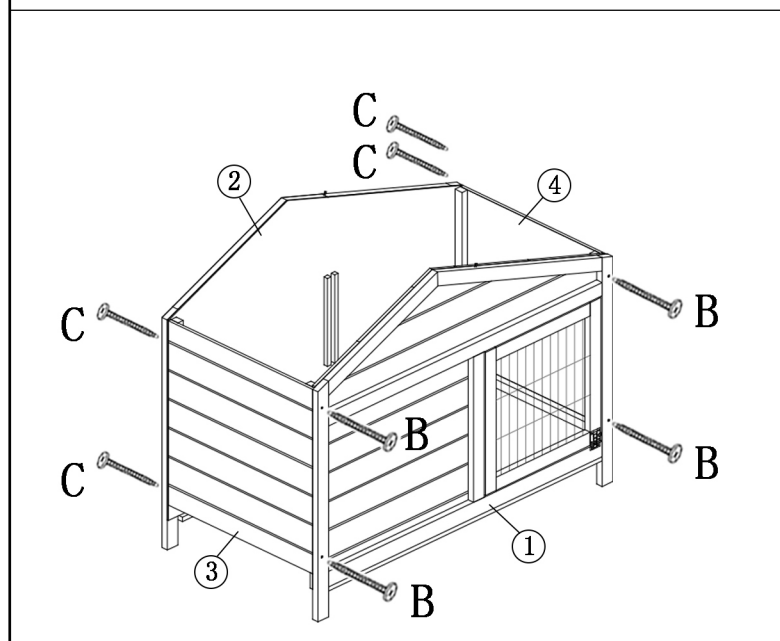


PawHut D51-134 ASSEMBLY INSTRUCTION

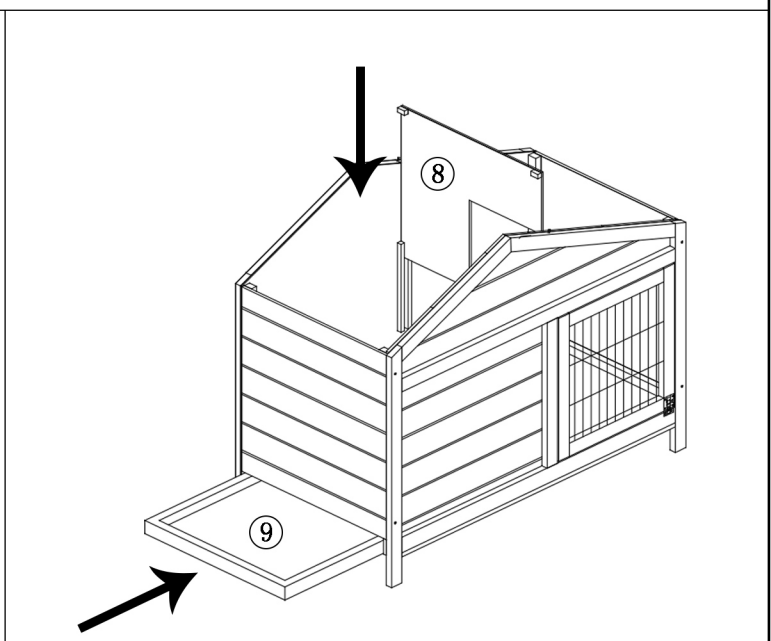
A		6 PCS					
B		12 PCS					
C		12 PCS					
D		16 PCS					
E		2 PCS					
F		1 PCS					
R		1PC					
		6PCS					



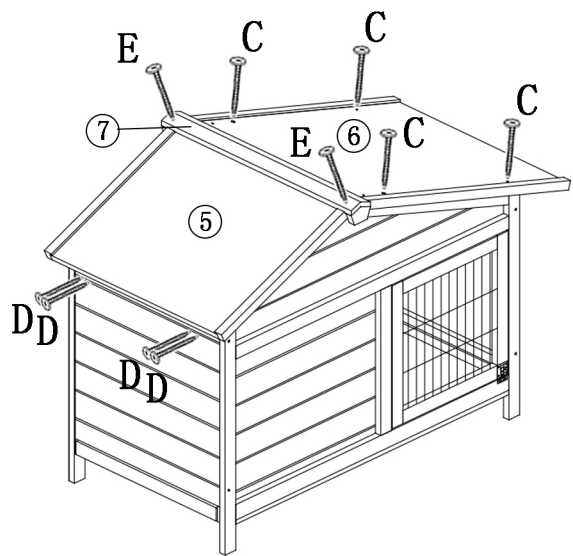
Step1



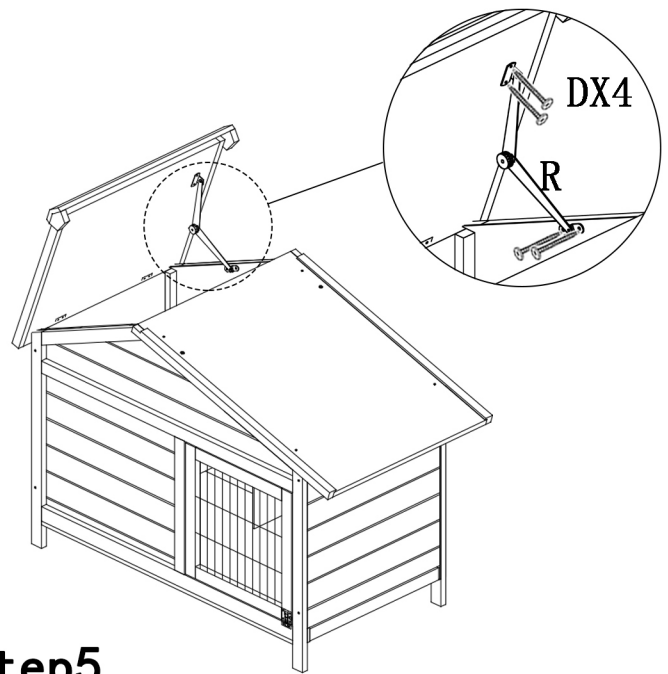
Step2



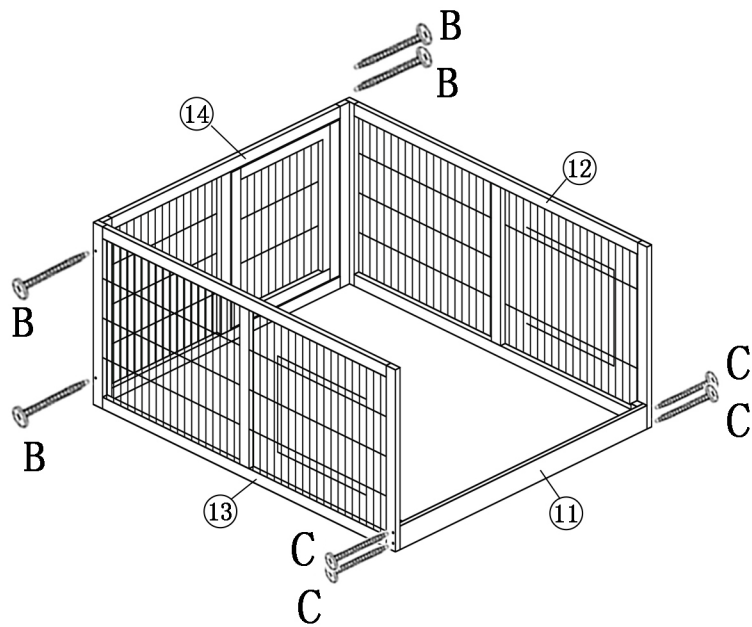
Step3



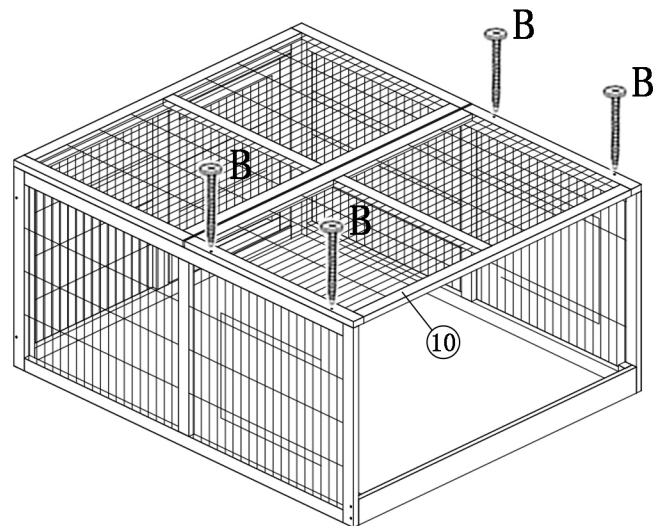
Step4



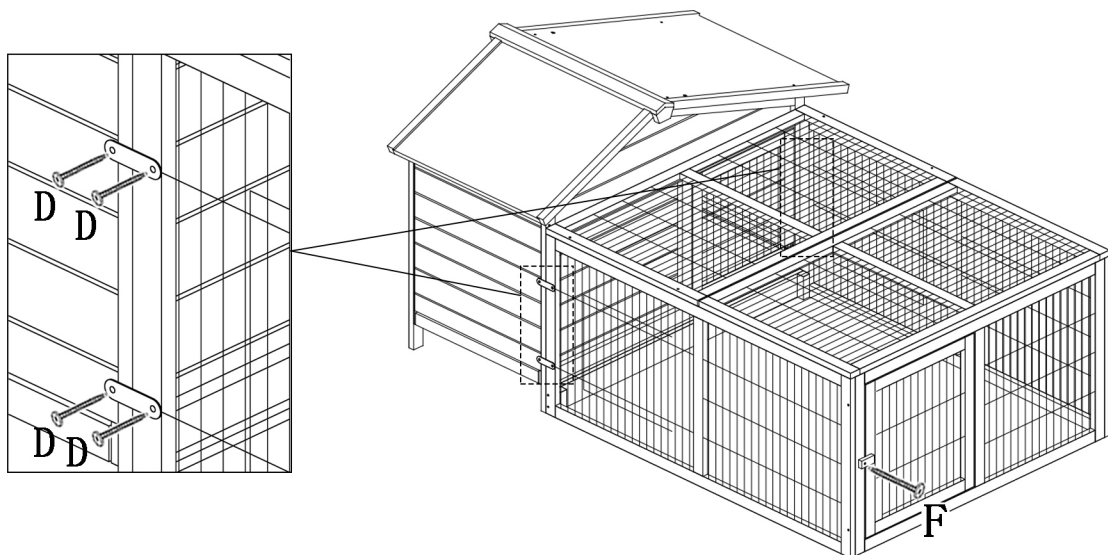
Step5



Step6



Step7



Step8