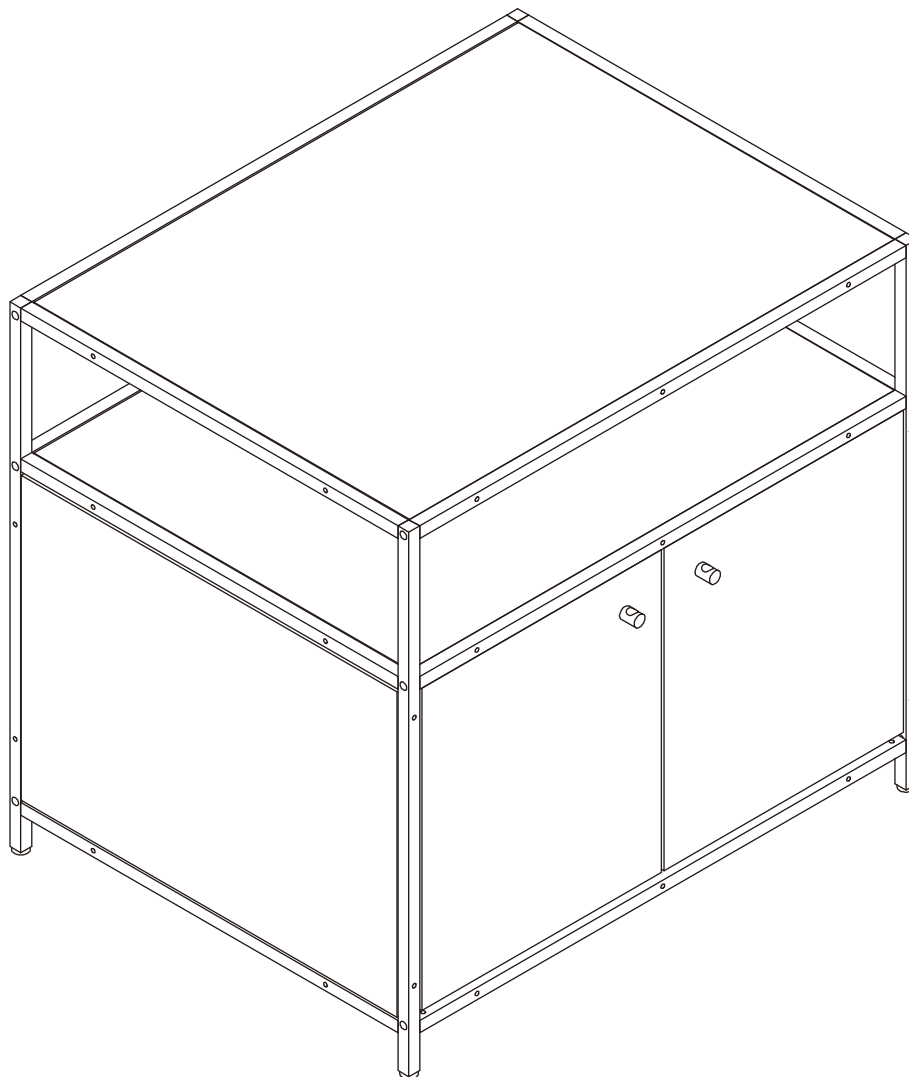


# PawHut

INdeb022\_GL

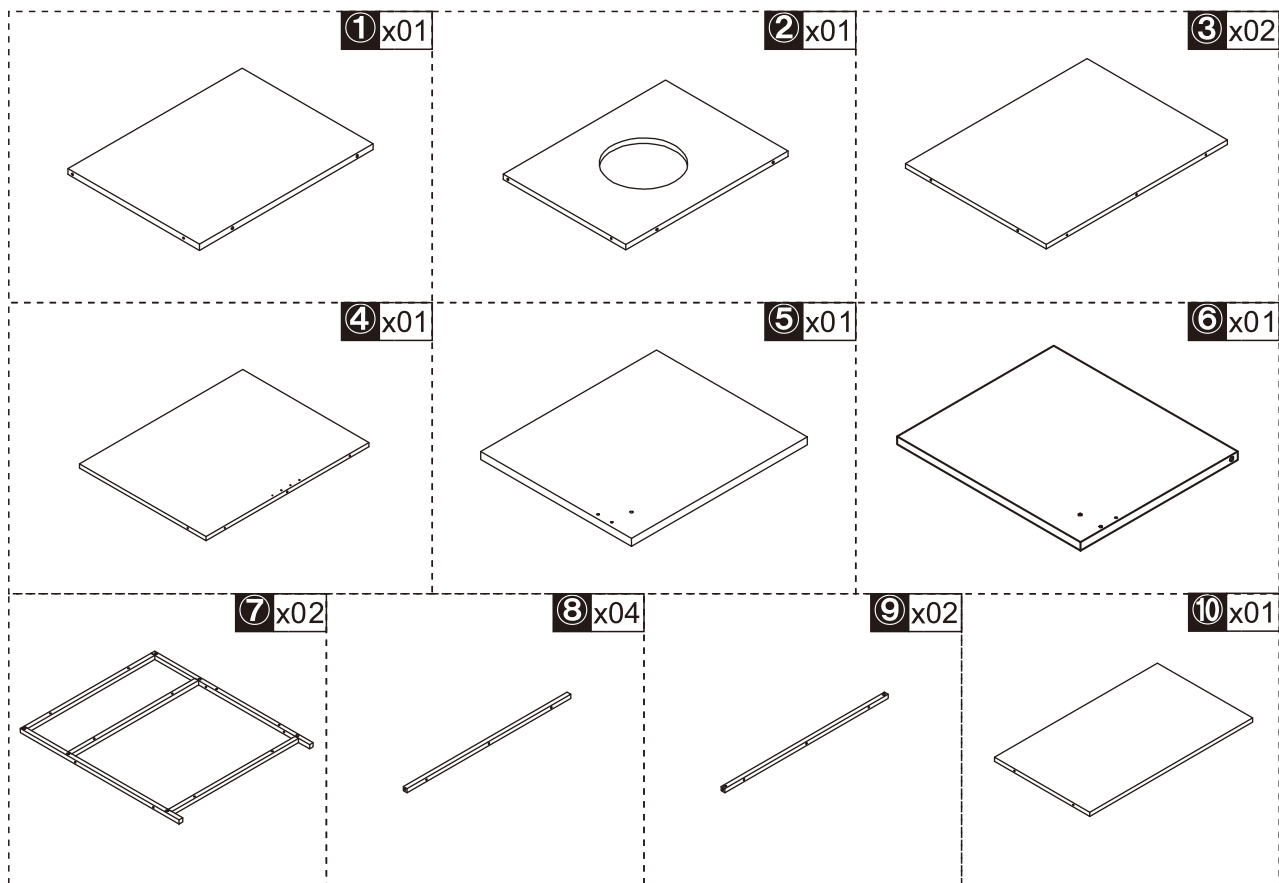
**D31-023**



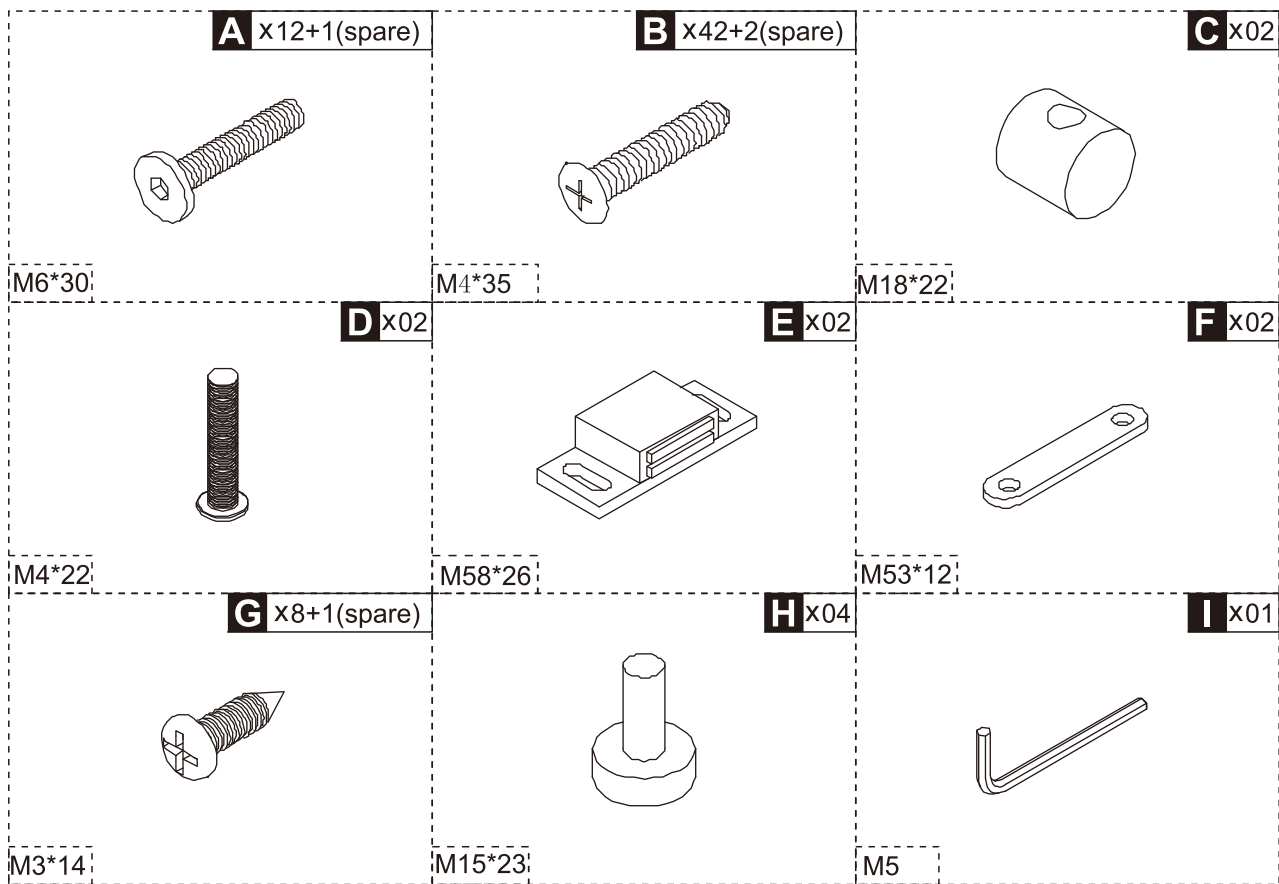
**IMPORTANT, RETAIN FOR FUTURE REFERENCE: READ CAREFULLY**







## ASSEMBLY & INSTRUCTION MANUAL

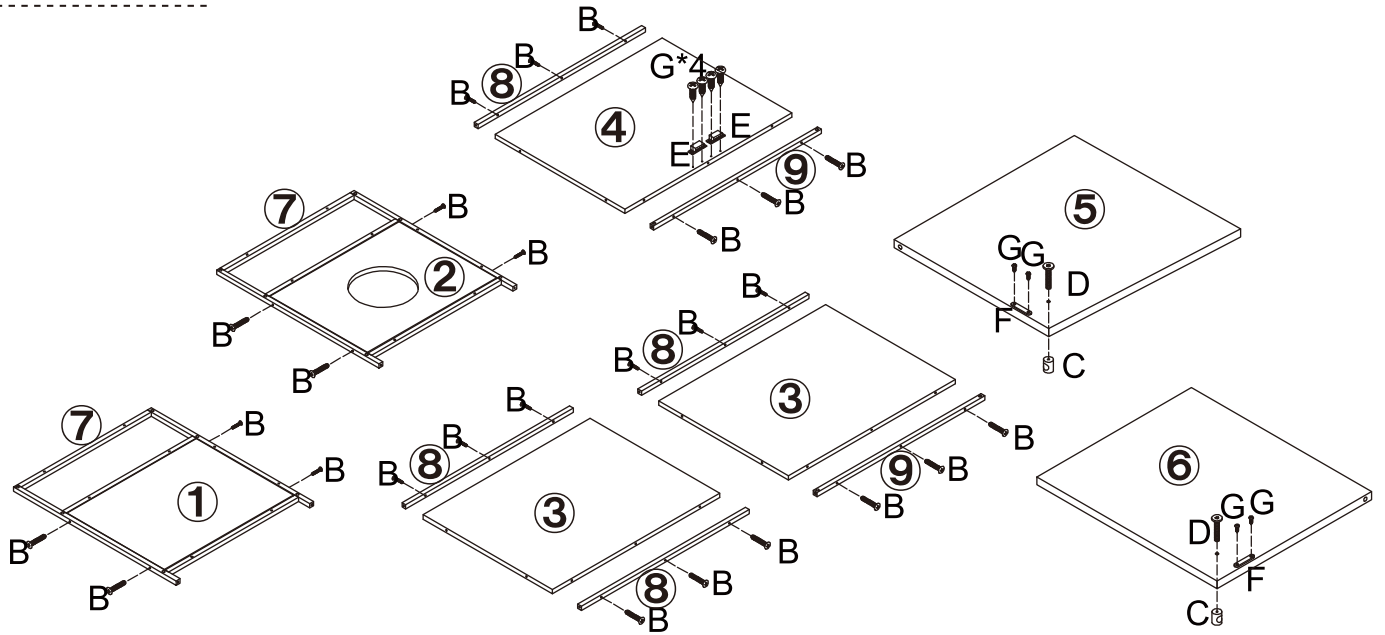
**PARTS**



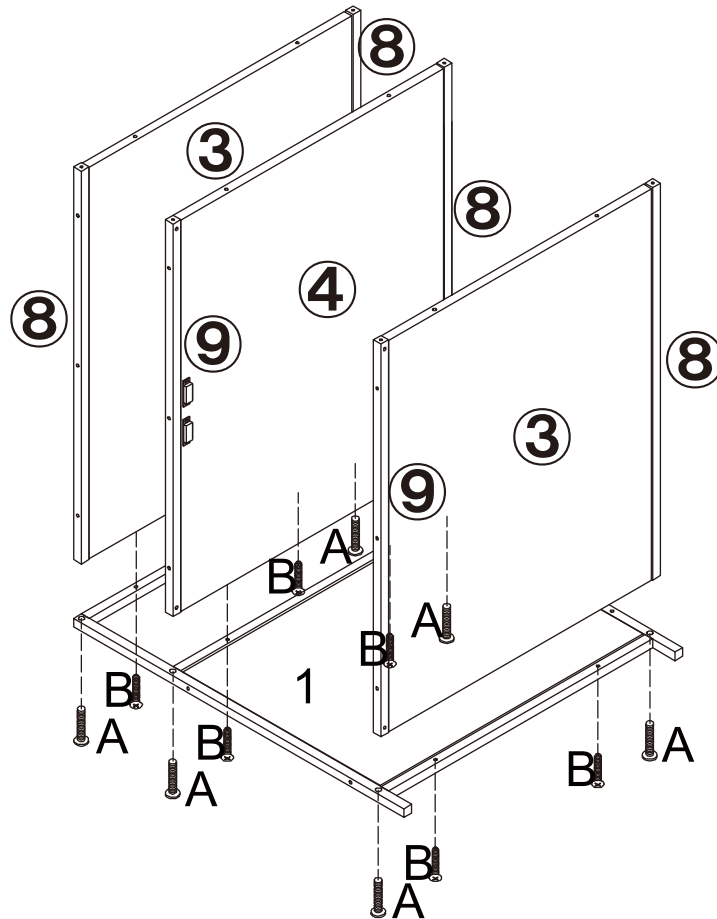
**HARDWARE**



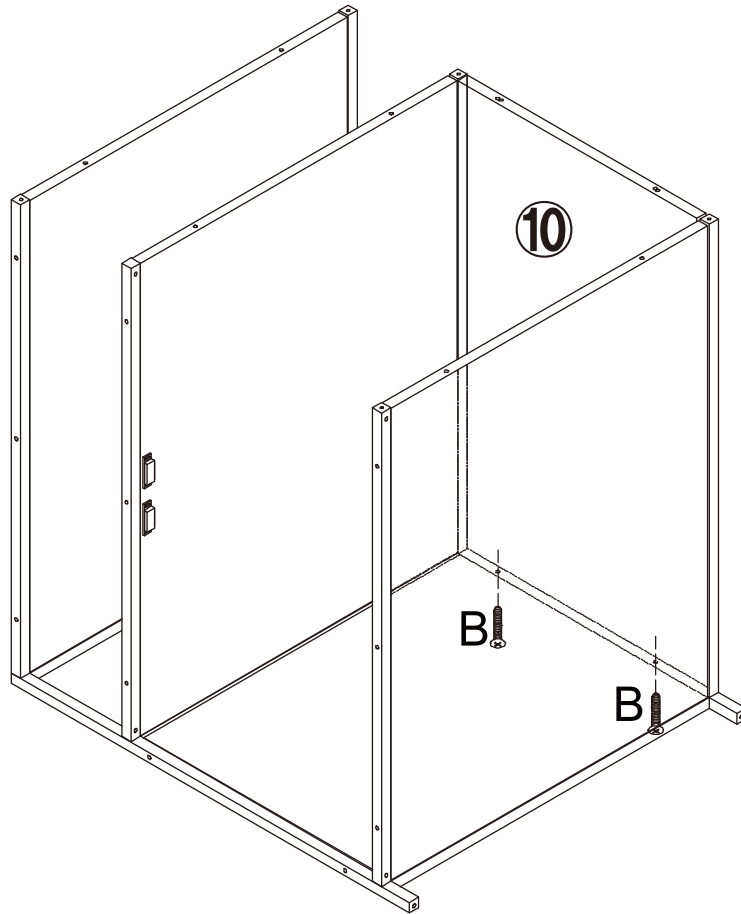
-  Bx26
-  Cx2
-  Dx2
-  Ex2
-  Fx2
-  Gx8





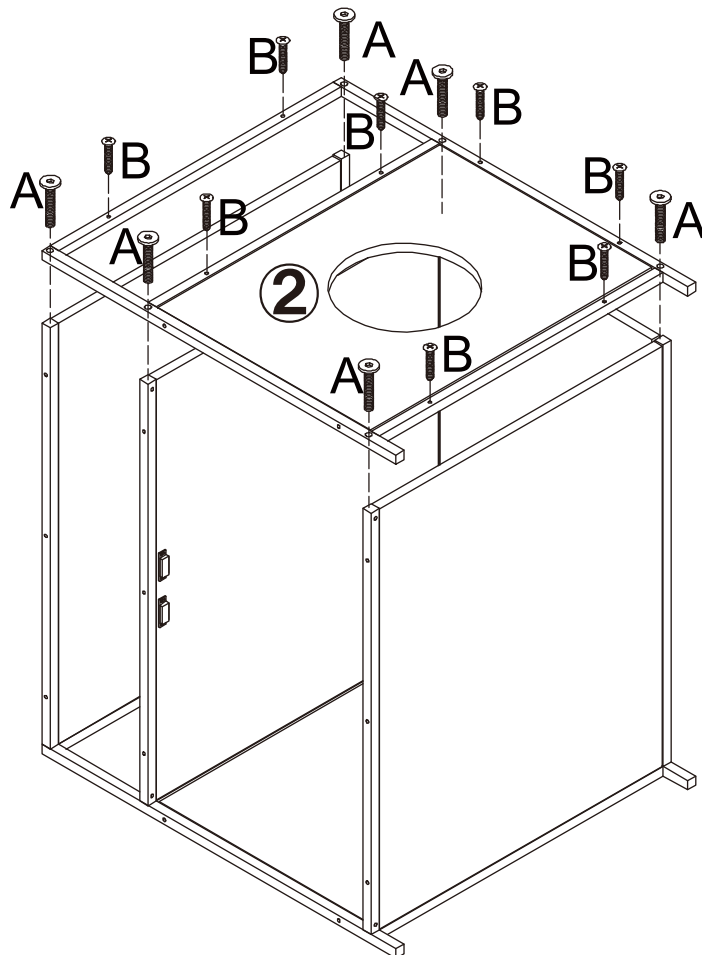
-  Ax6
-  Bx6



-  Bx2



-  Ax6
-  Bx8



Hx4

