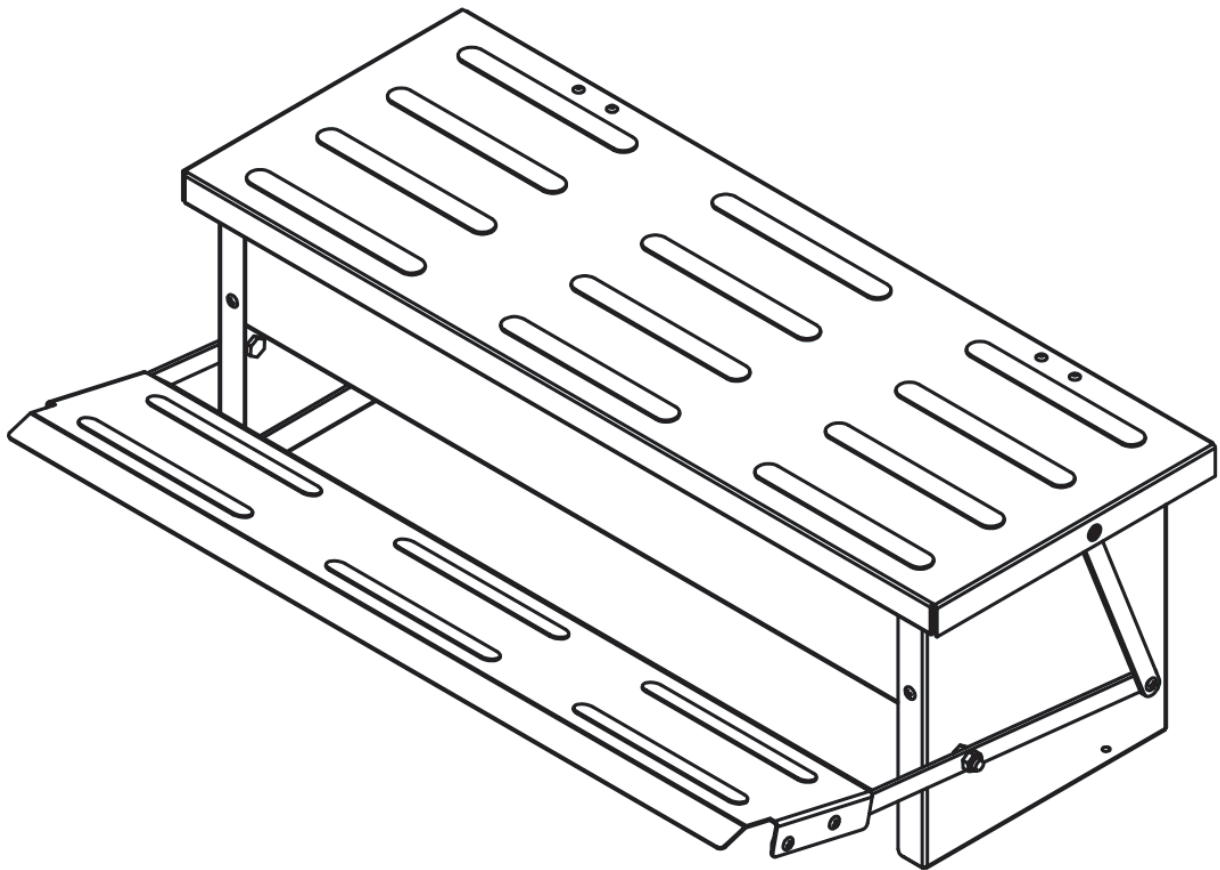


PawHut

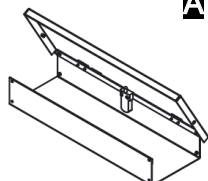
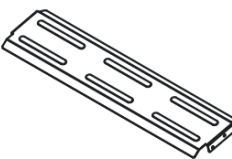
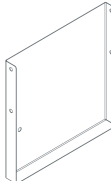
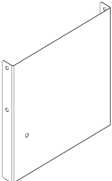

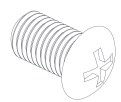
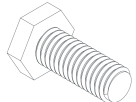


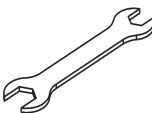
INdeb030_GL

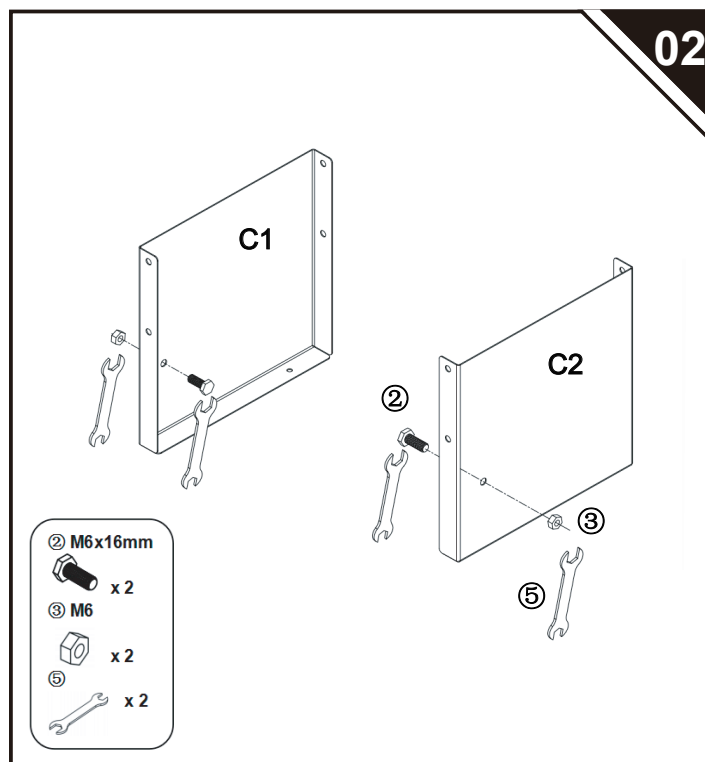
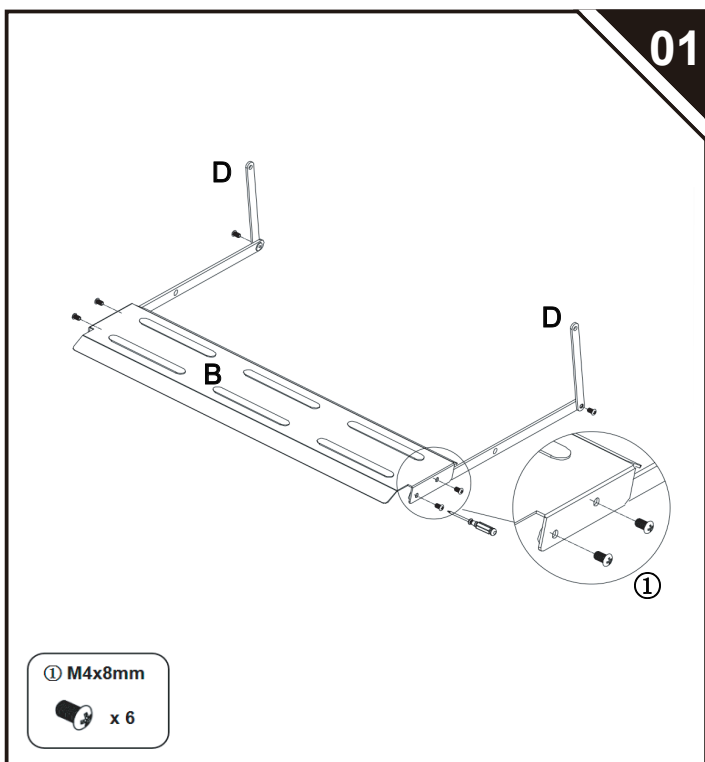
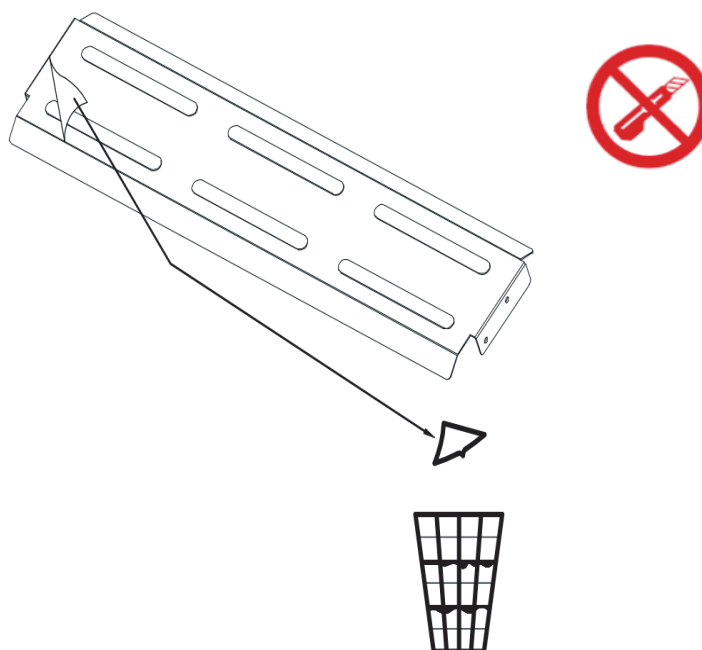
D51-236



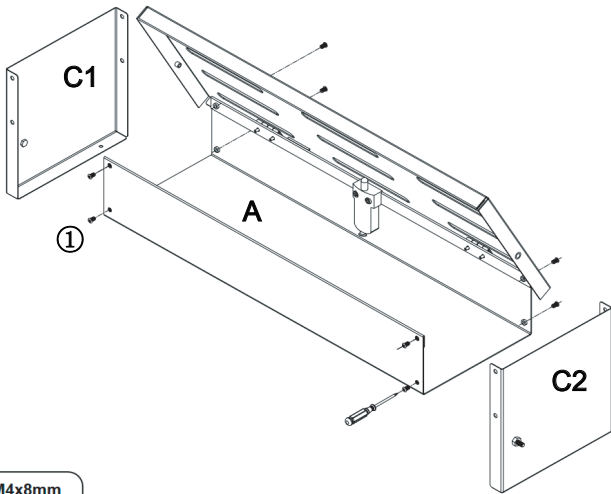
IMPORTANT, RETAIN FOR FUTURE REFERENCE: READ CAREFULLY

ASSEMBLY INSTRUCTION

 <p>Ax1</p>	 <p>Bx1</p>	 <p>C1x1</p>	 <p>C2x1</p>	 <p>Dx2</p>
 <p>1x16</p> <p>M4x8mm</p>	 <p>2x2</p> <p>M6x16mm</p>	 <p>3x2</p> <p>M6</p>	 <p>4x2</p> <p>M6</p>	 <p>5x2</p>



03

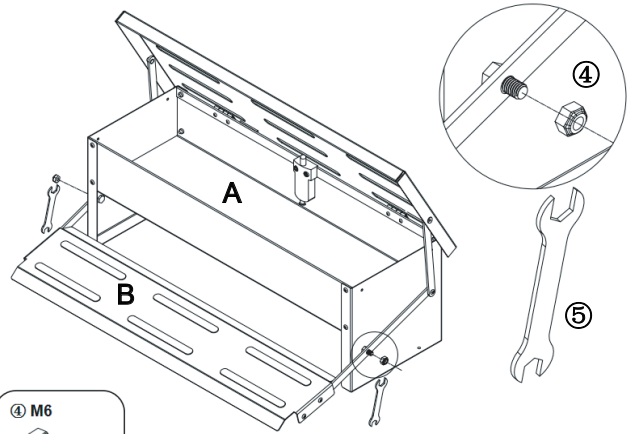


① M4x8mm



x 8

04



④ M6



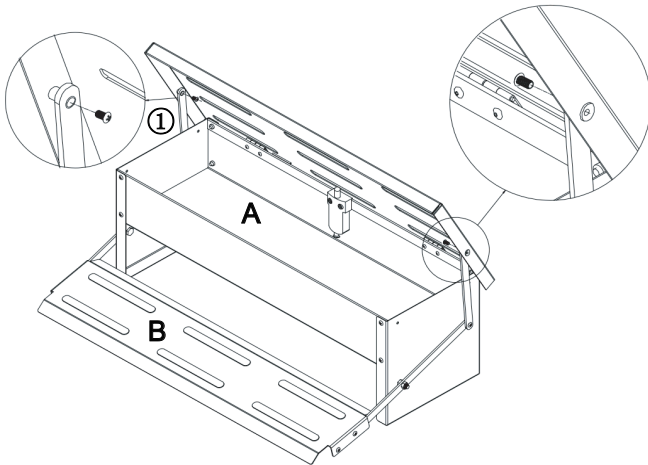
x 2

⑤



x 1

05

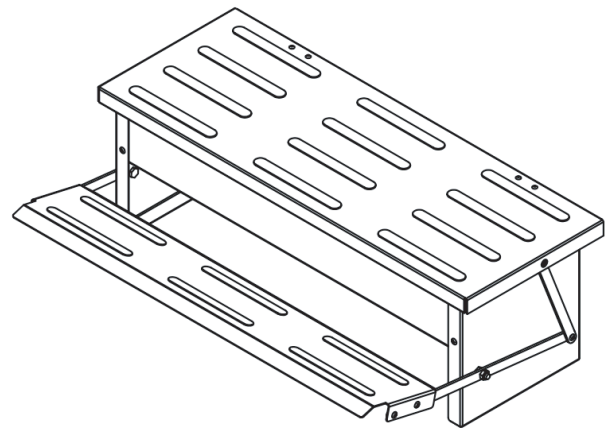


① M4x8mm



x 2

06



done