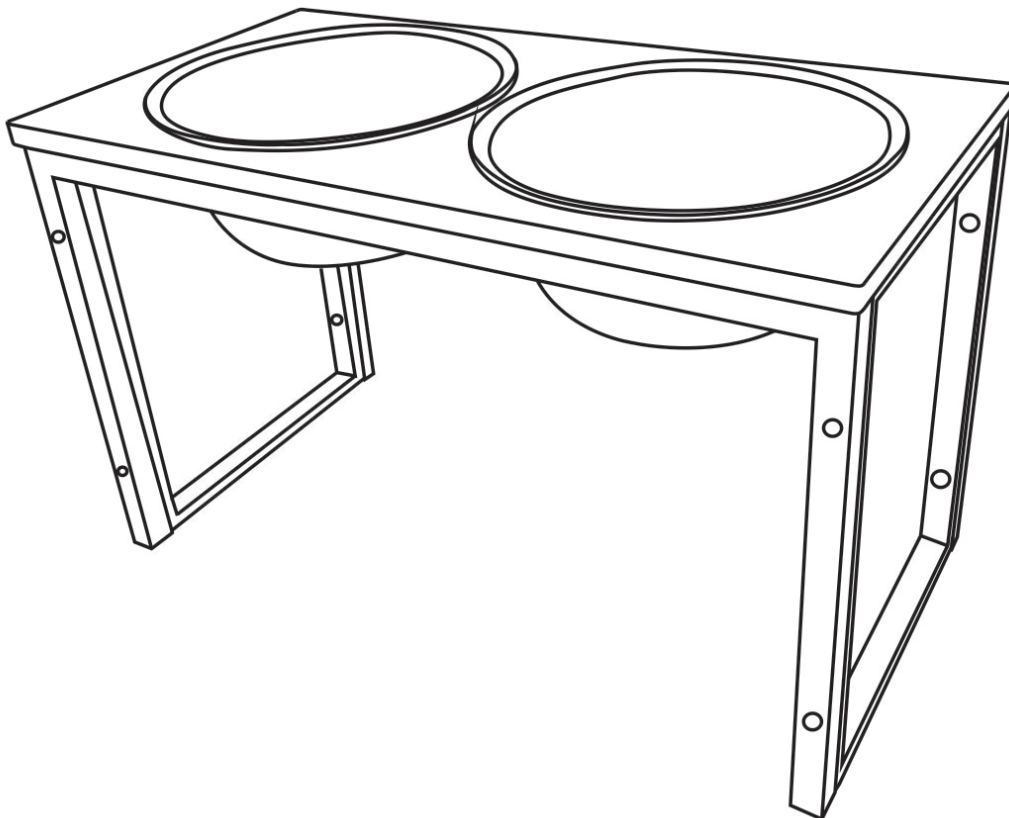


PawHut

INdec002_GL

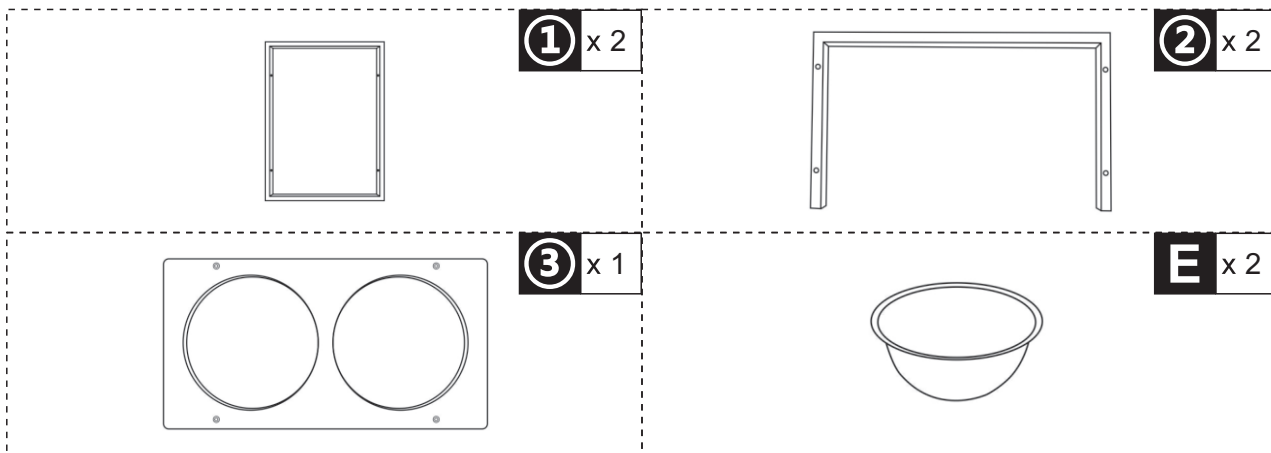
D08-024_D08-024V01_D08-024V02



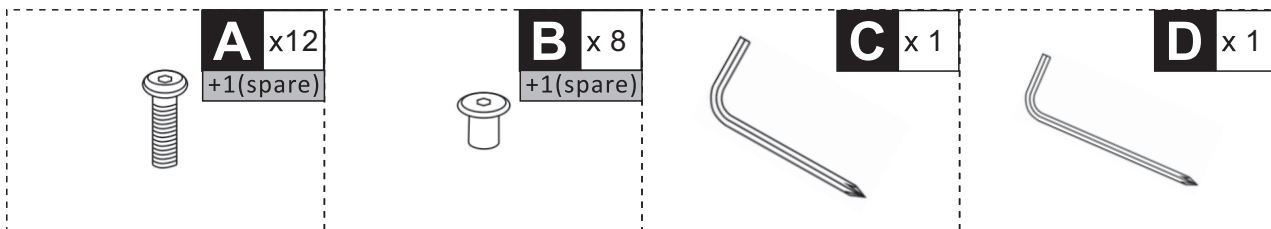
IMPORTANT, RETAIN FOR FUTURE REFERENCE: READ CAREFULLY

ASSEMBLY & INSTRUCTION MANUAL

PARTS



HARDWARE



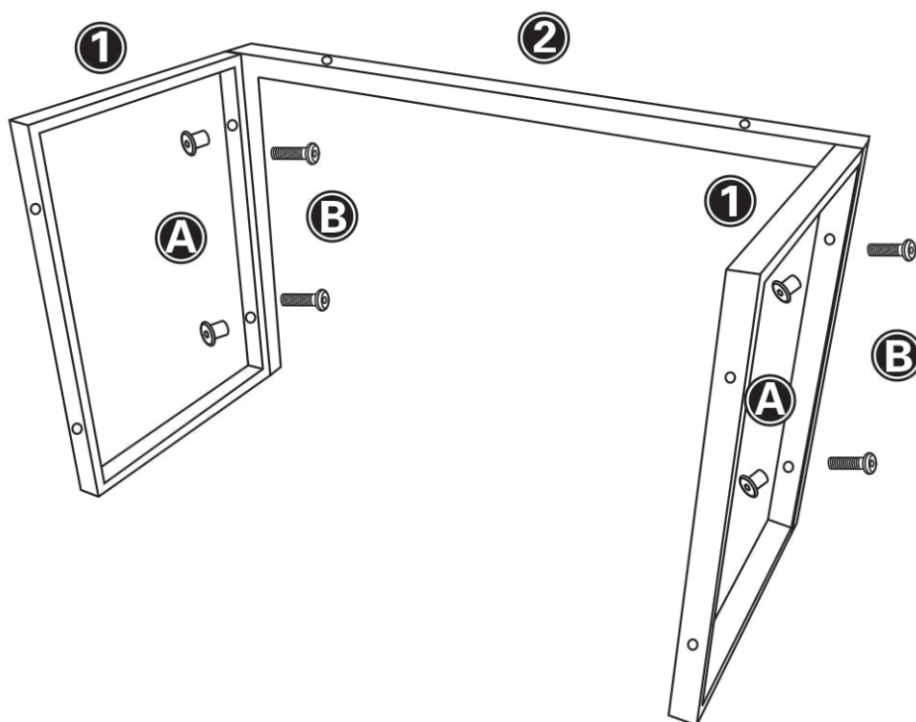
01

① x 2

② x 1

A x 4

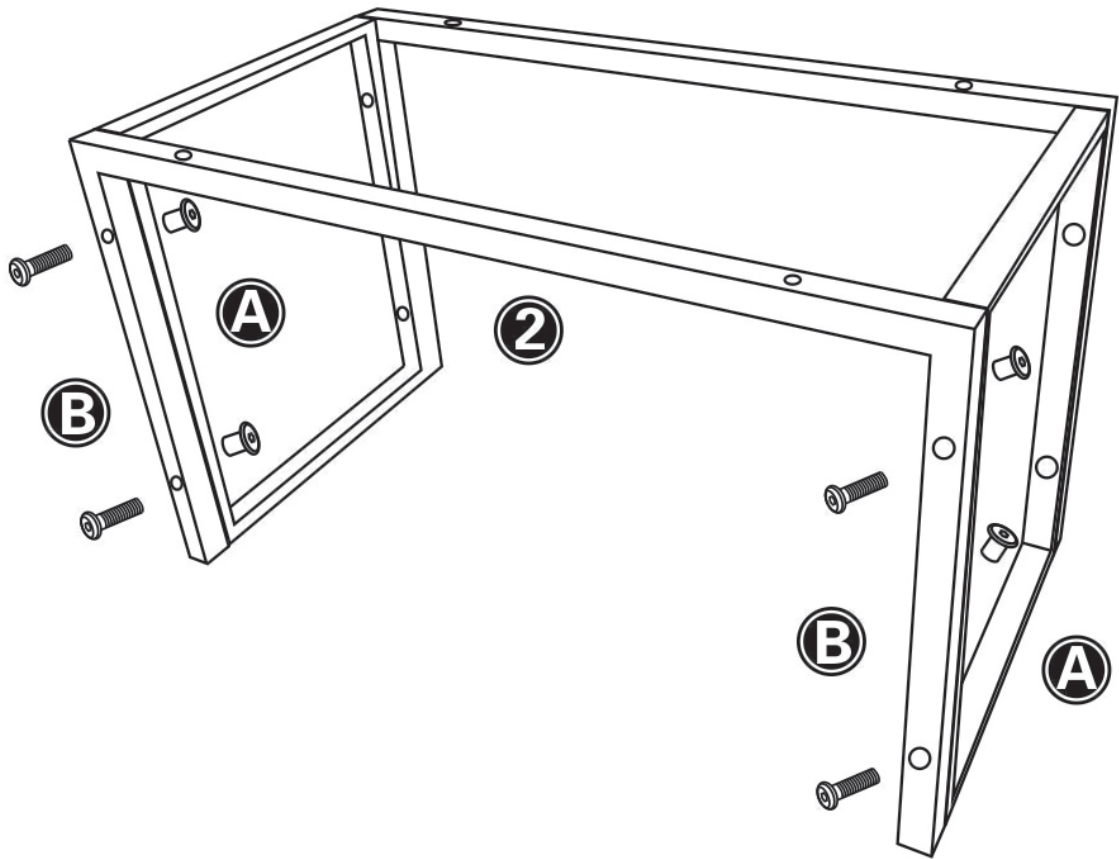
B x 4



2 x 1

A x 4

B x 4



3 x 1

A x 4

E x 2

