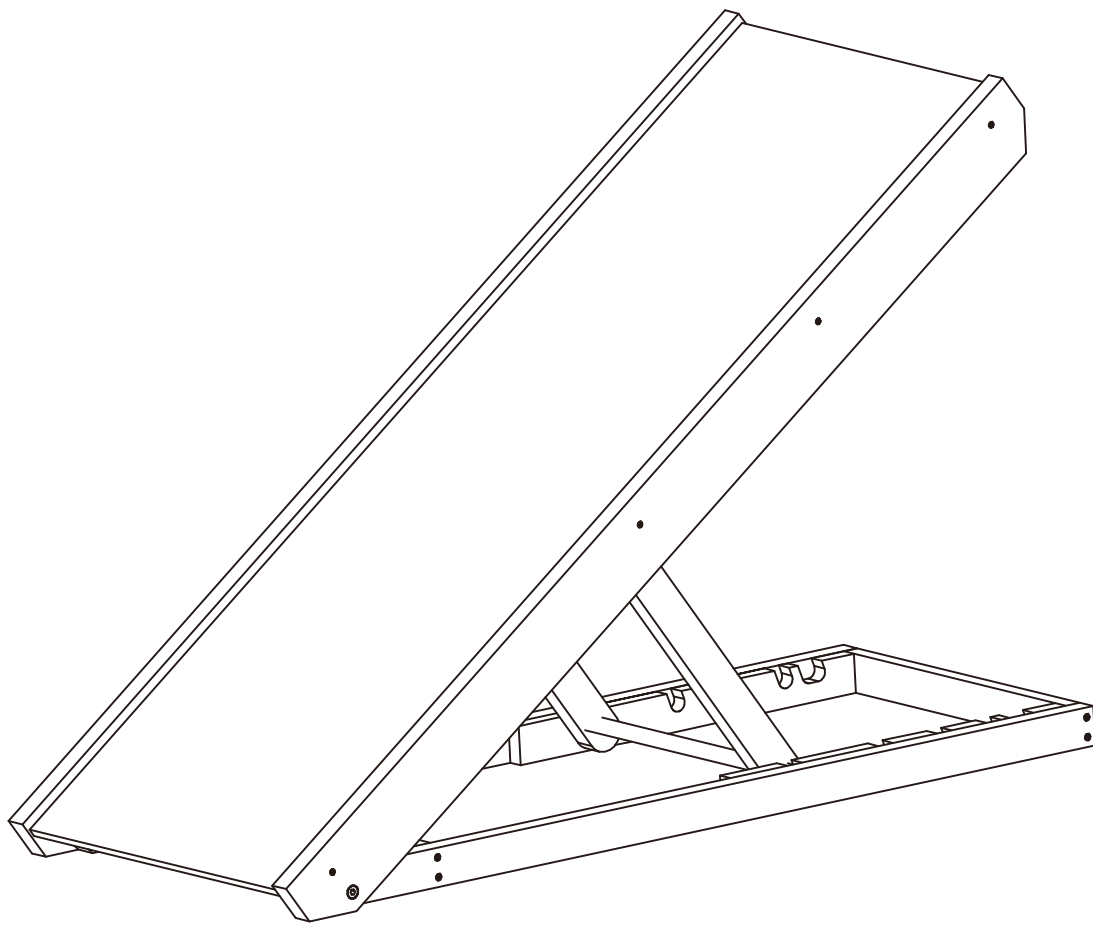


# PawHut

INdfb002V01\_GL

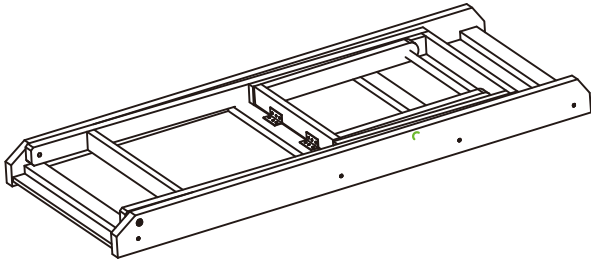
**D06-102**



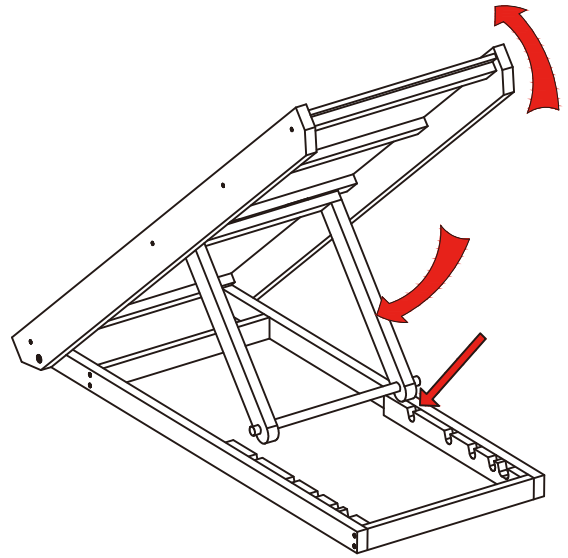
IMPORTANT, RETAIN FOR FUTURE REFERENCE: READ CAREFULLY

## ASSEMBLY & INSTRUCTION MANUAL

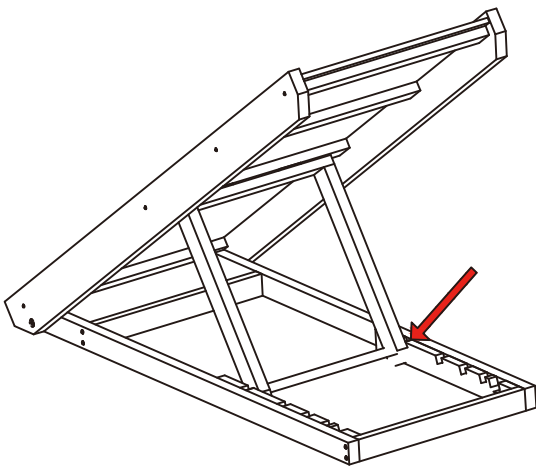
01



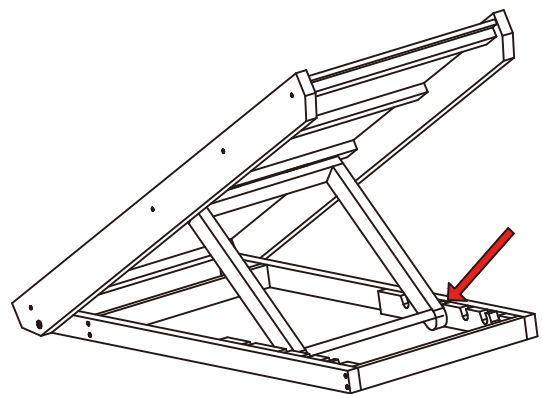
02



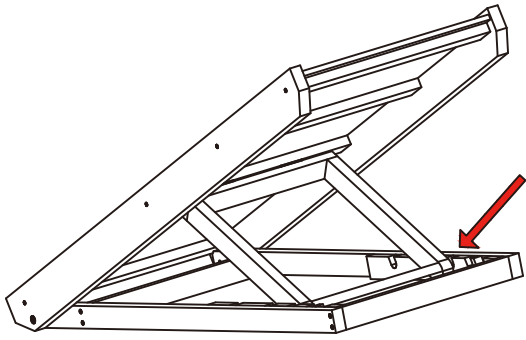
03



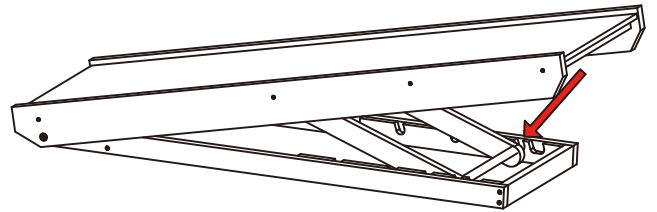
04



05



06



Done

