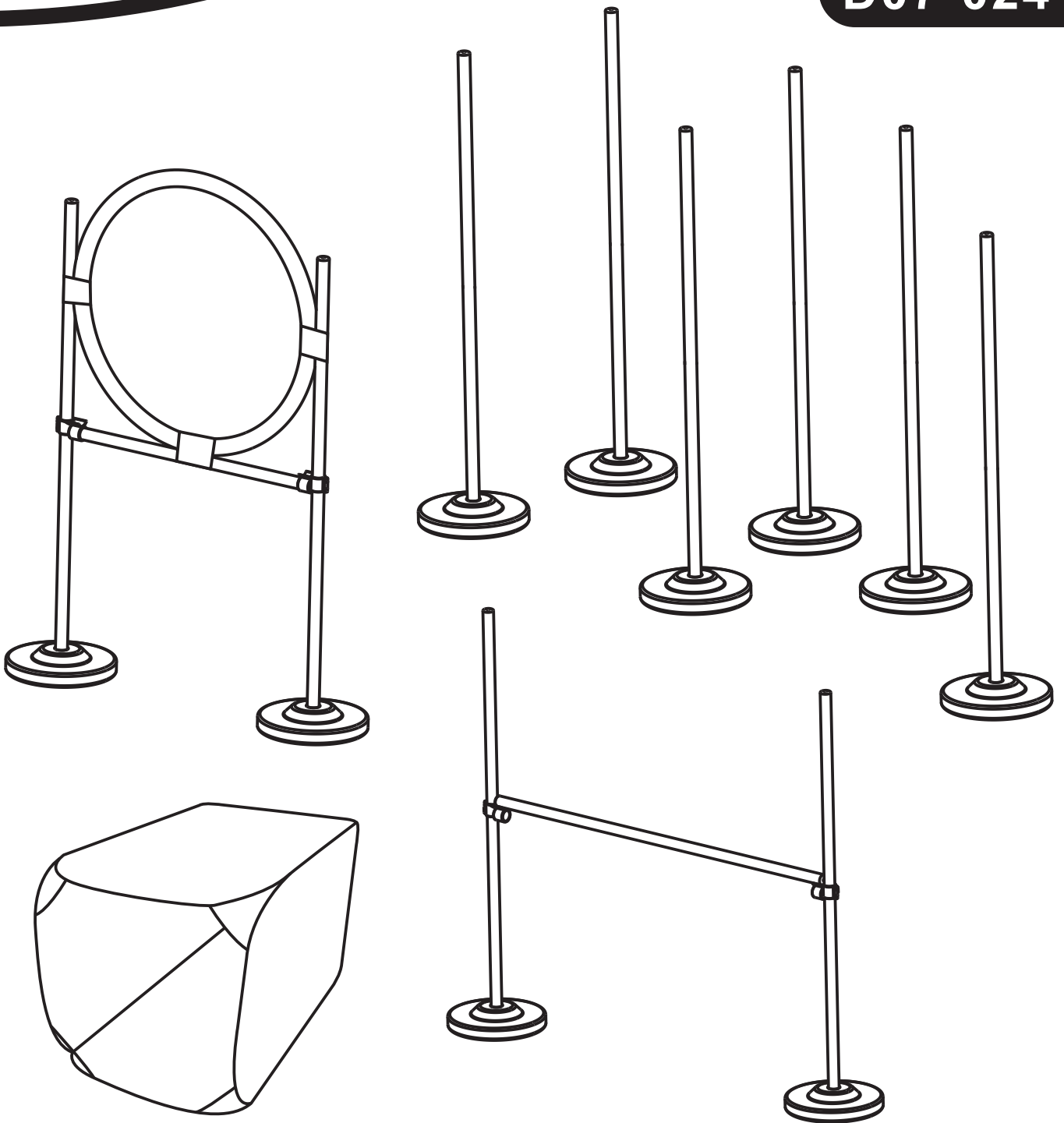


PawHut

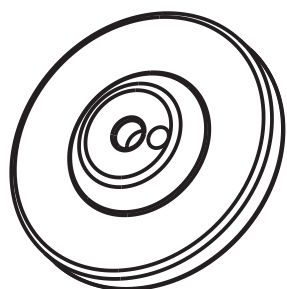
GL C200318

D07-024



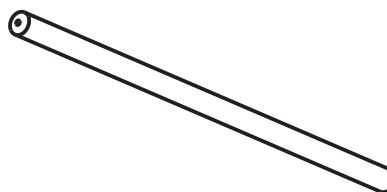
ASSEMBLY INSTRUCTION

A x10



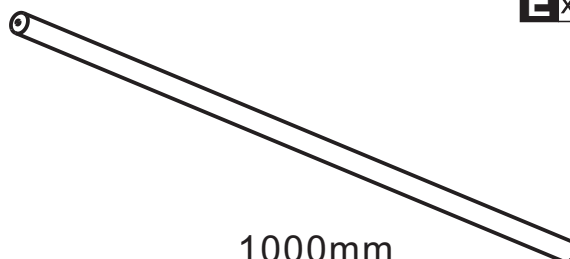
sand bag

D x 1



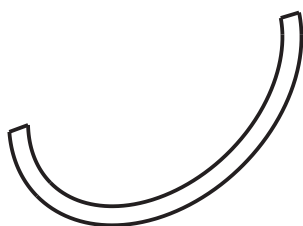
600mm

E x11

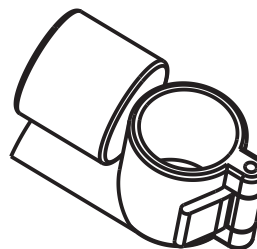


1000mm

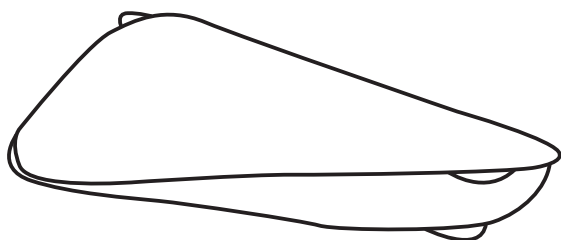
B x 2



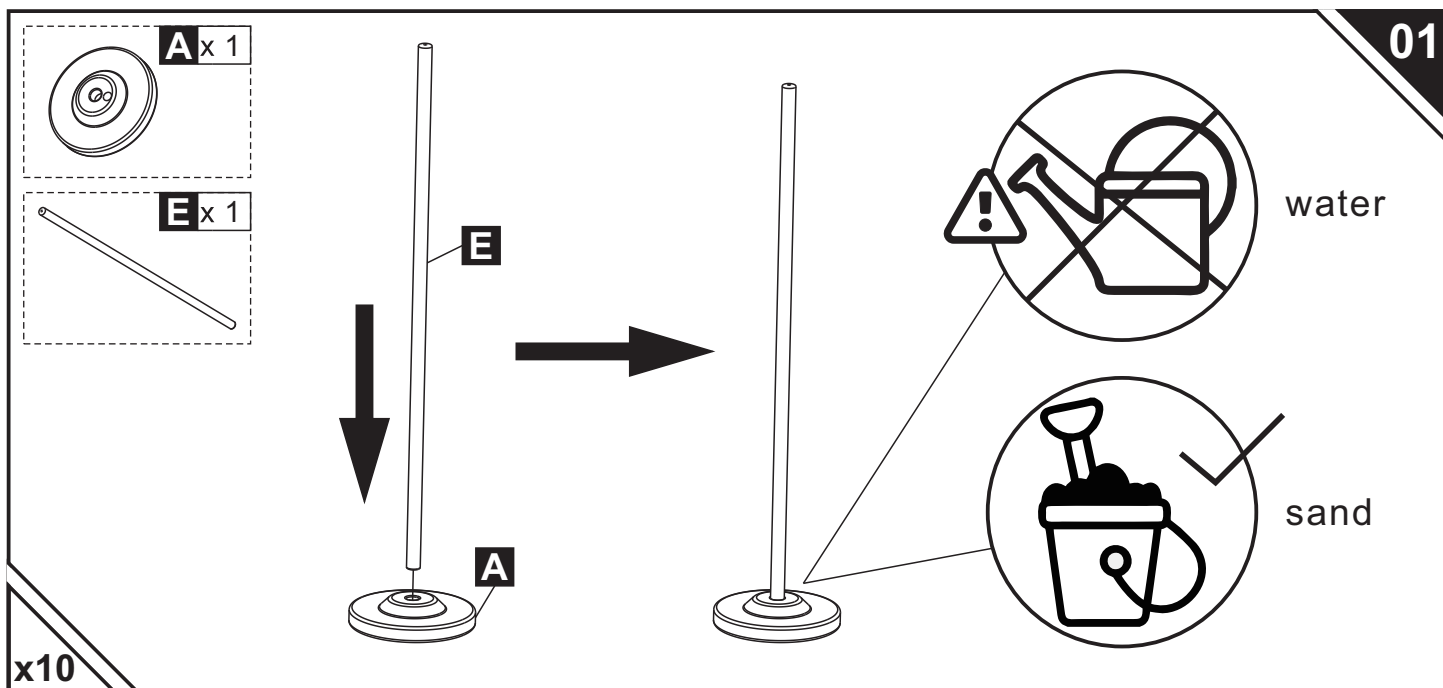
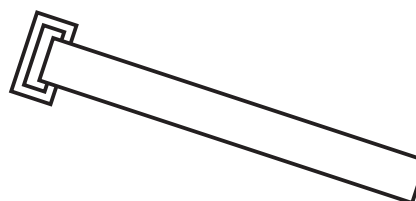
F x 4



C x 1



G x 3



A x 1

E x 1

E

A

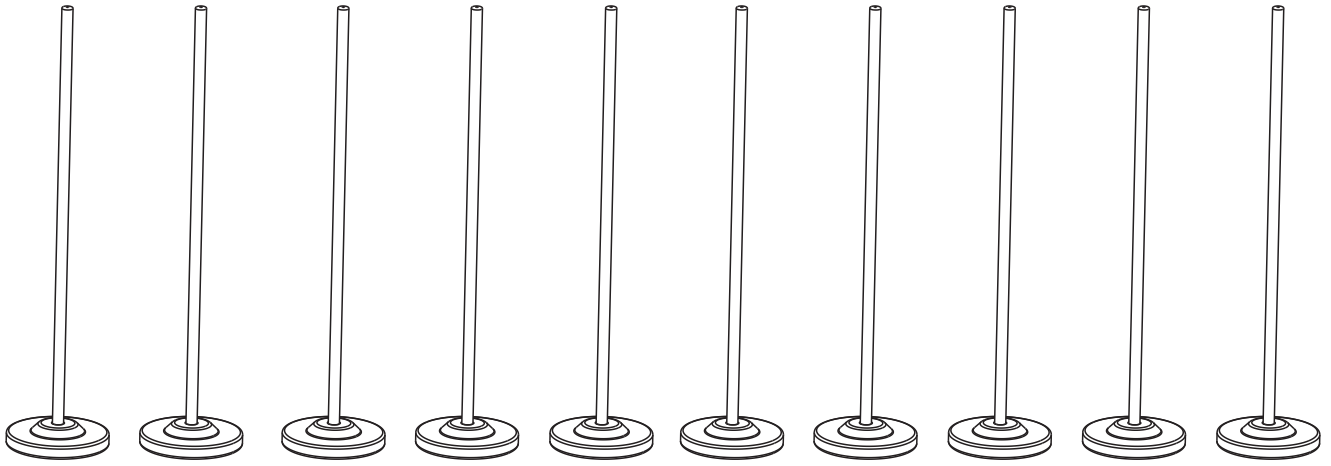
01

water

sand

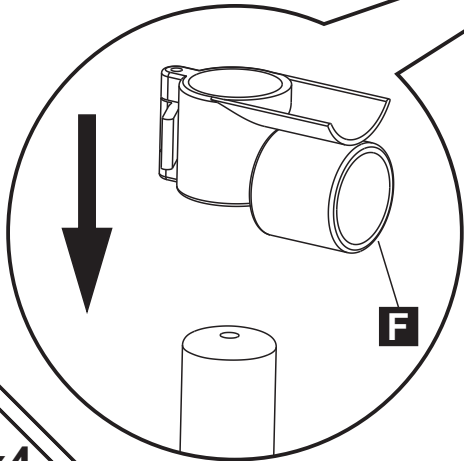
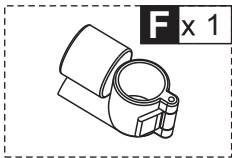
x10

02

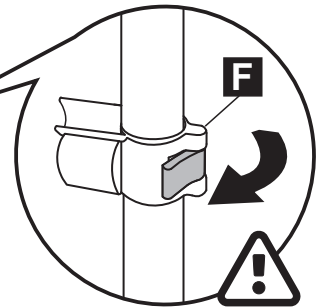


Done

03

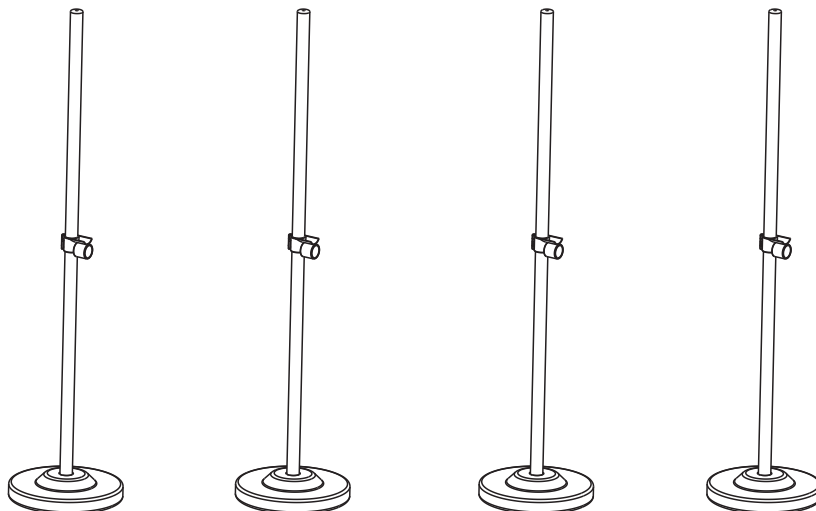


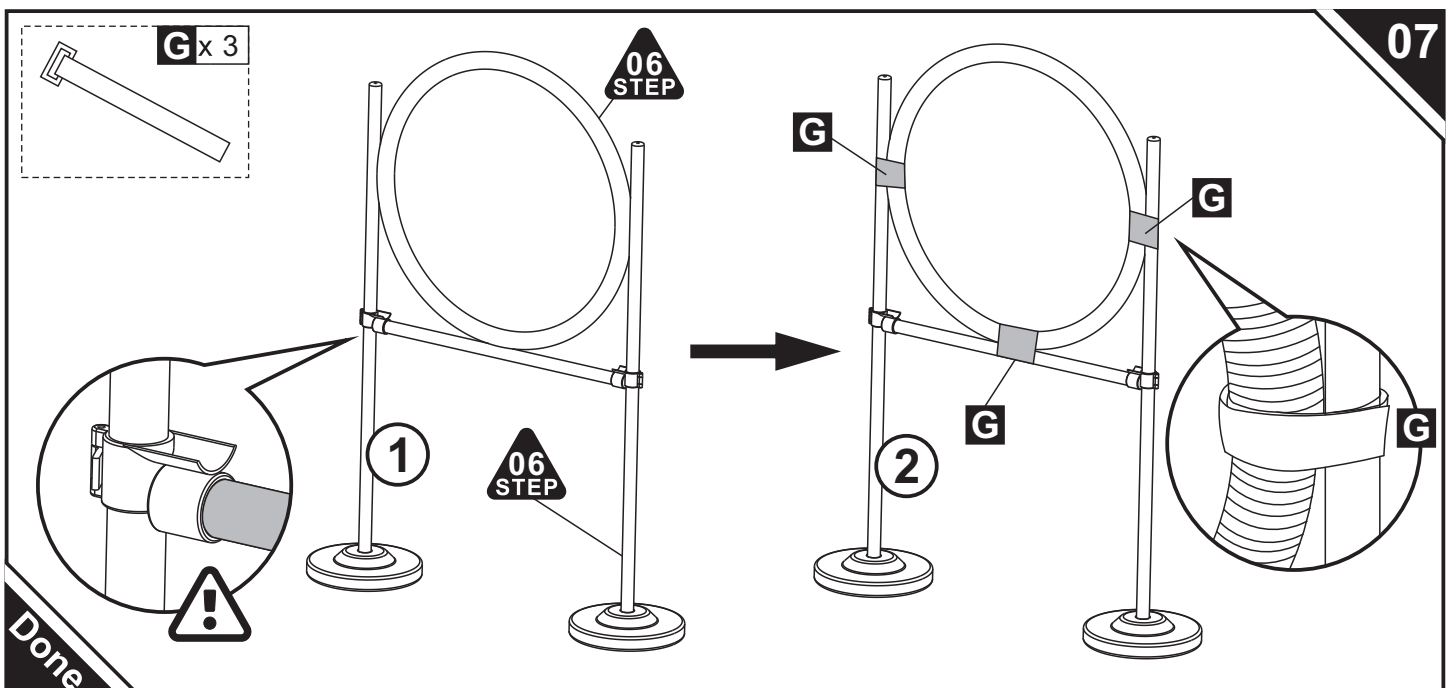
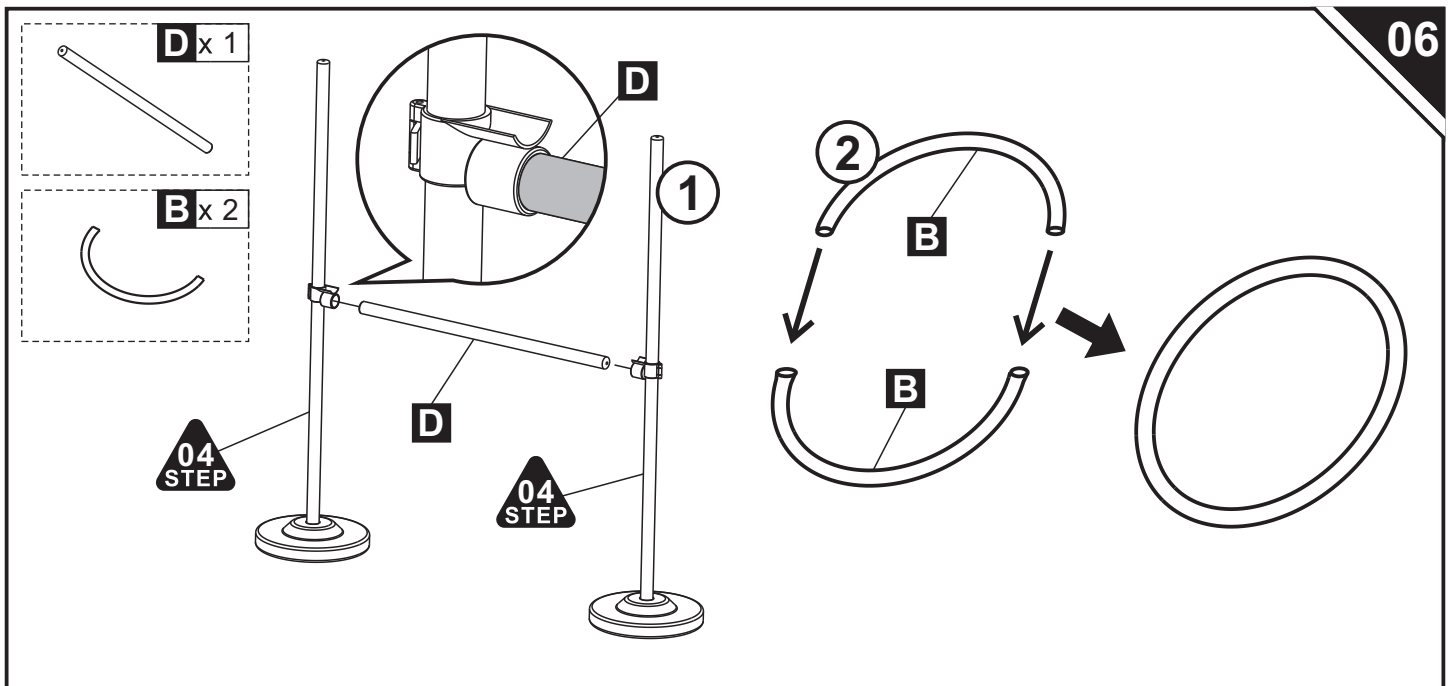
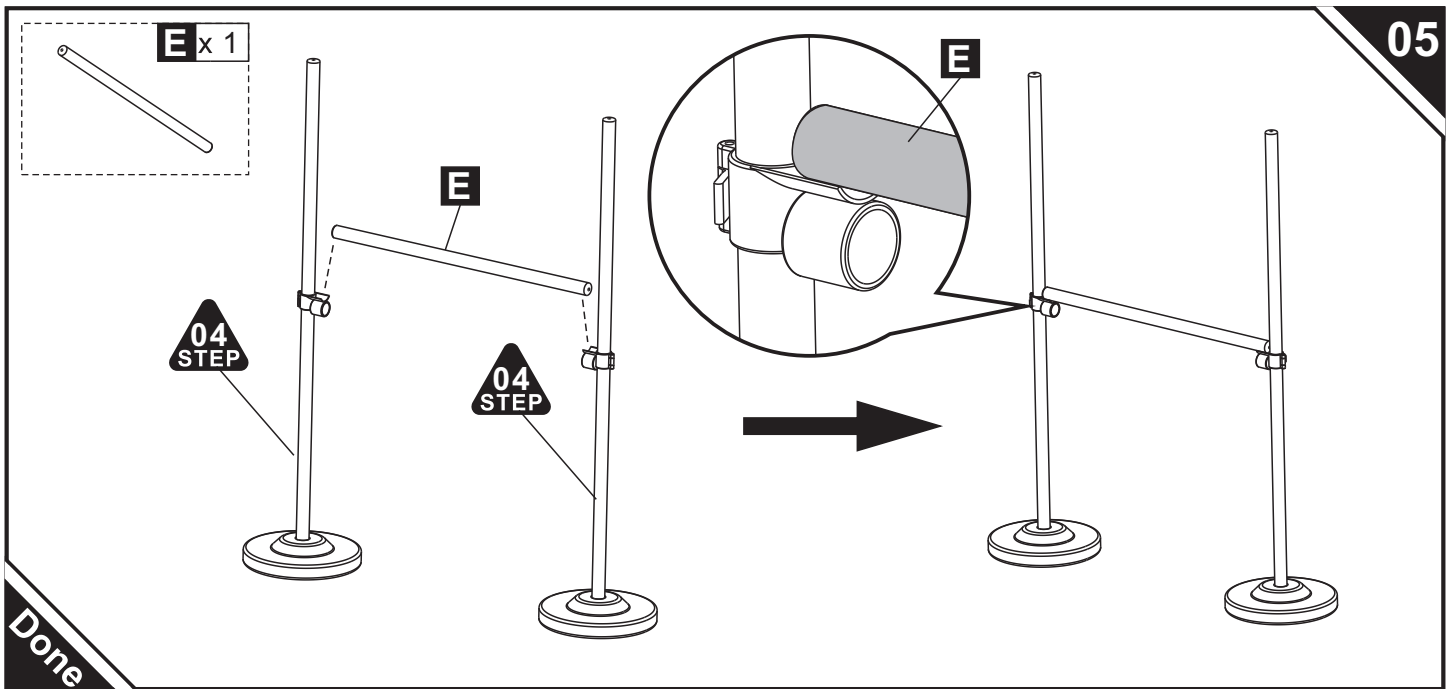
02 STEP



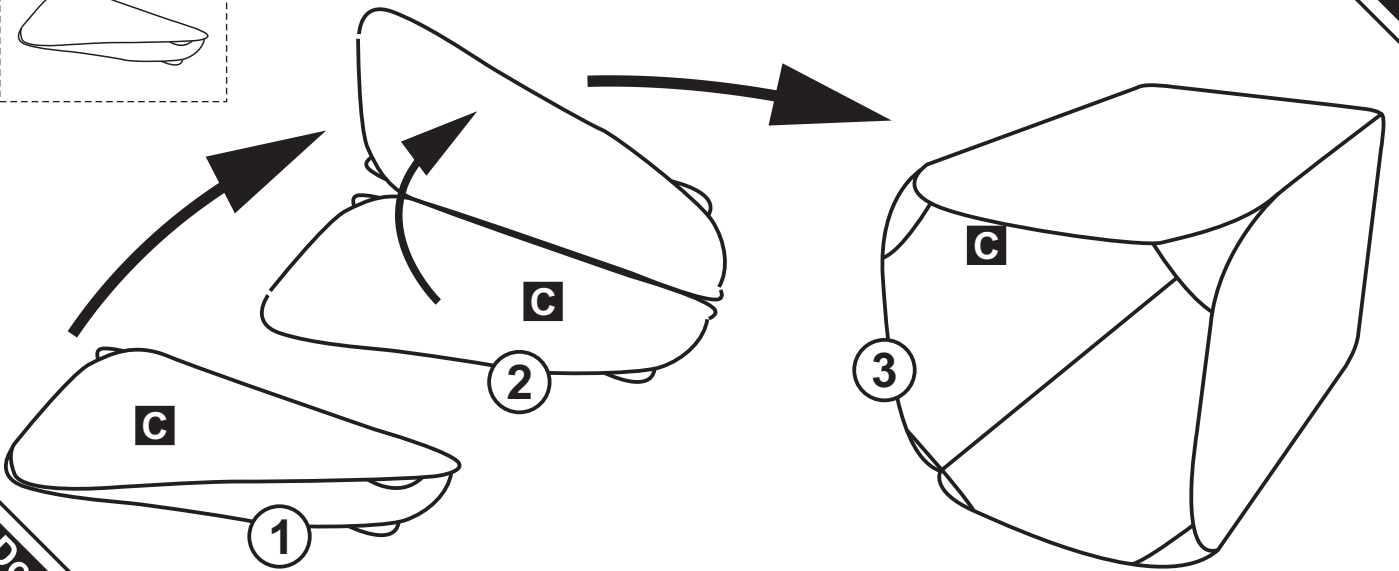
x4

04

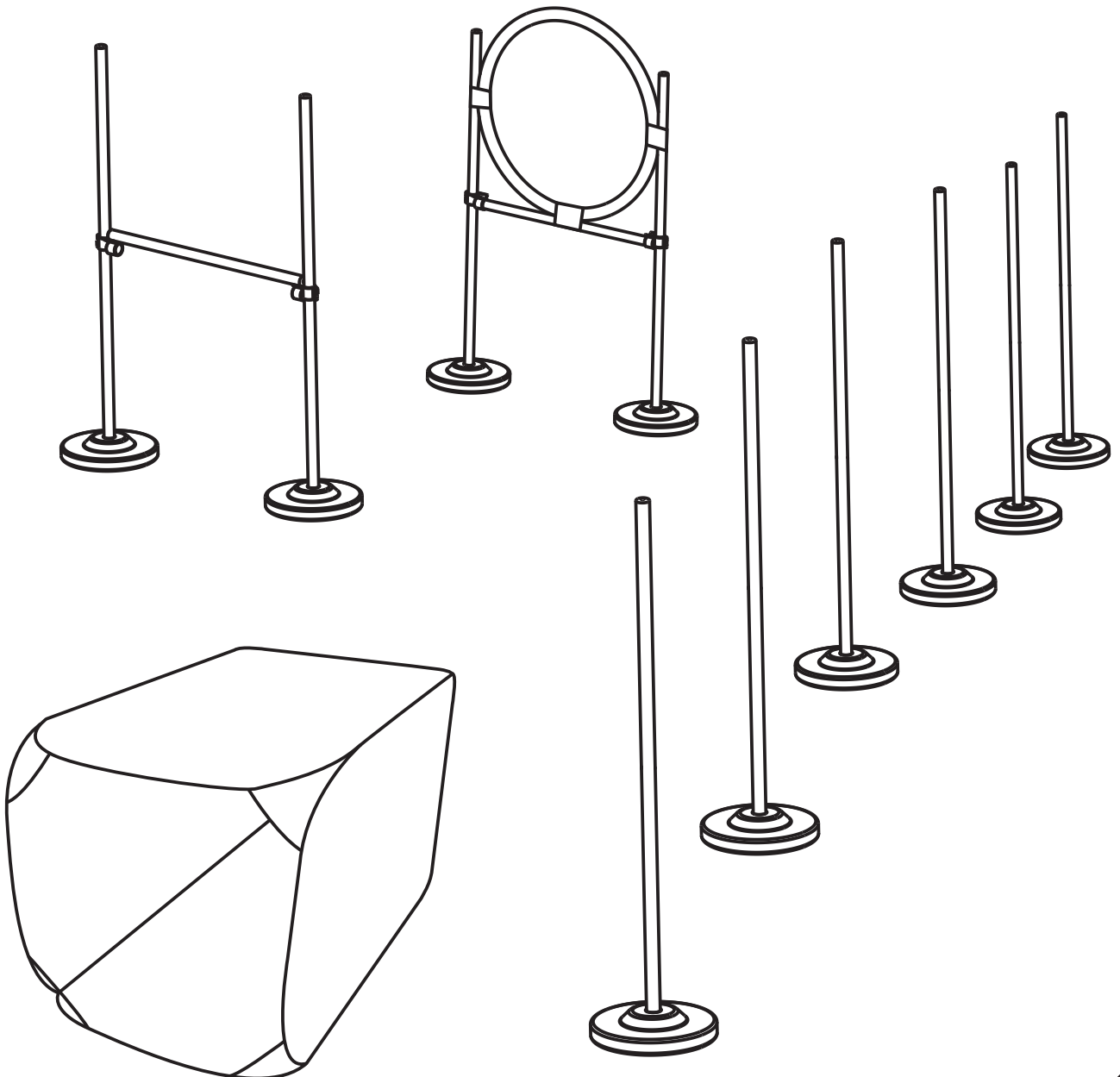




C x 1



Done



Done

US



001-877-644-9366
customerservice@aosom.com

CA



001-855-537-6088
customerservice@aosom.ca

UK



0044-800-240-4004
enquiries@mhstar.co.uk

DE



0049-(0)40-88307530
service@aosom.de

FR



0033-1-84166106
contact@aosom.fr

ES



0034-931294512
atencioncliente@aosom.es

IT



0039-0249471447
clienti@aosom.it