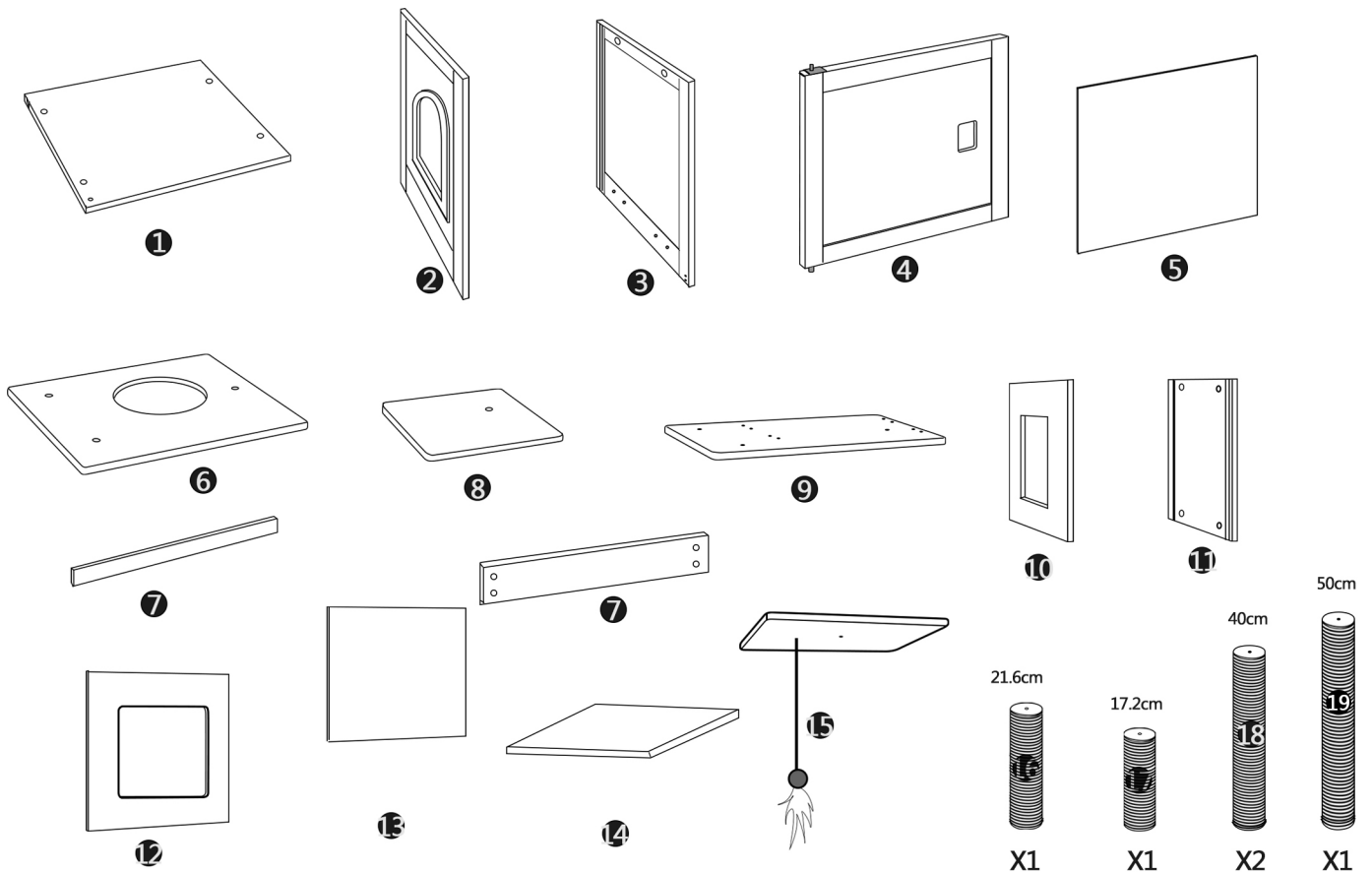
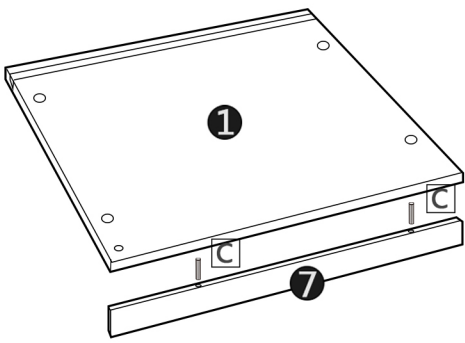


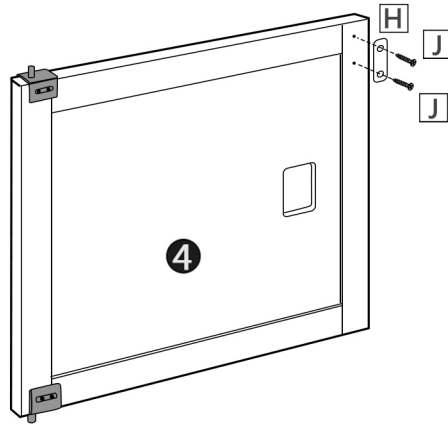
A		X 20/PCS
B		X 20/PCS
C		X 18/PCS
D		X 2/PCS
E		X6/PCS
F		X1/PS
G		X1/PS
H		X1/PS
J		X4/PCS



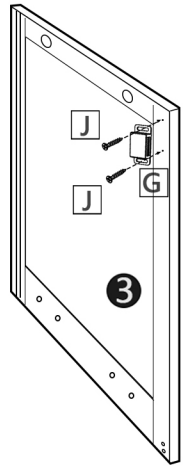
**1** STEP



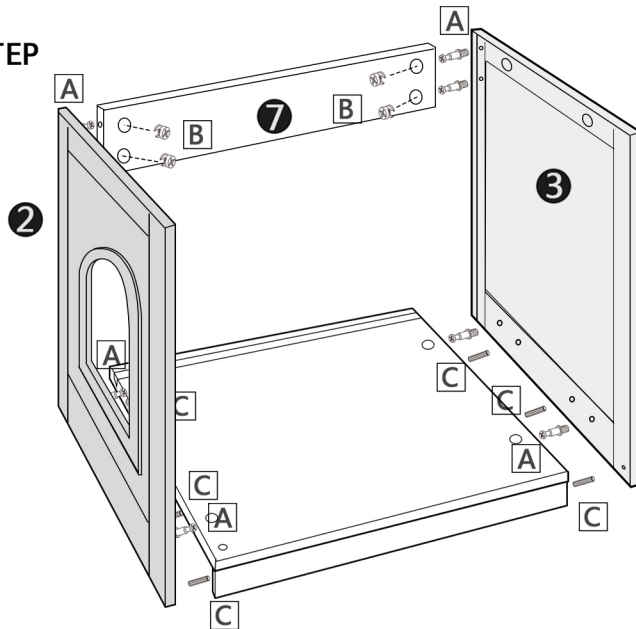
**2** STEP



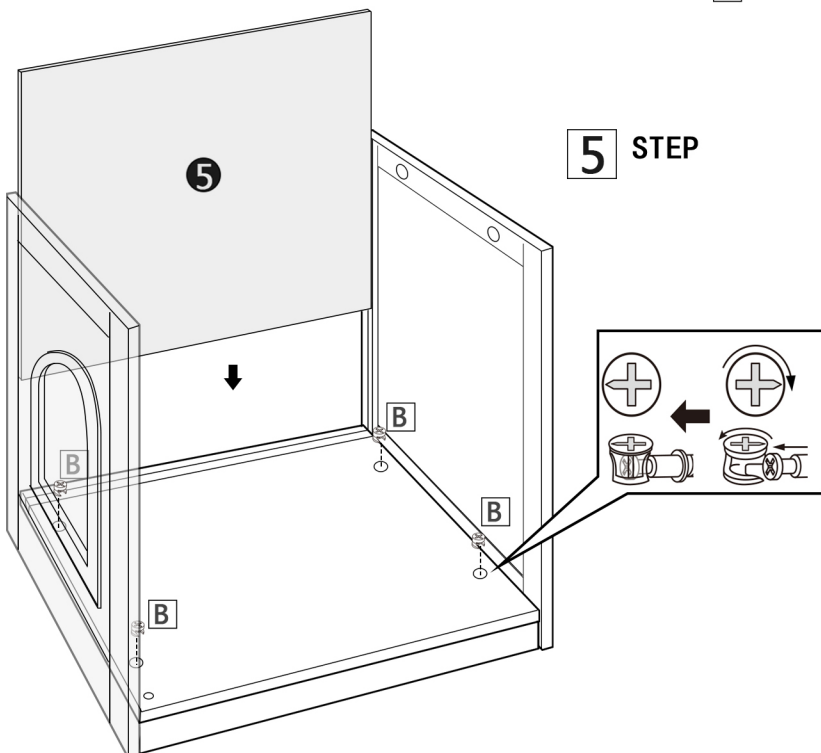
**3** STEP



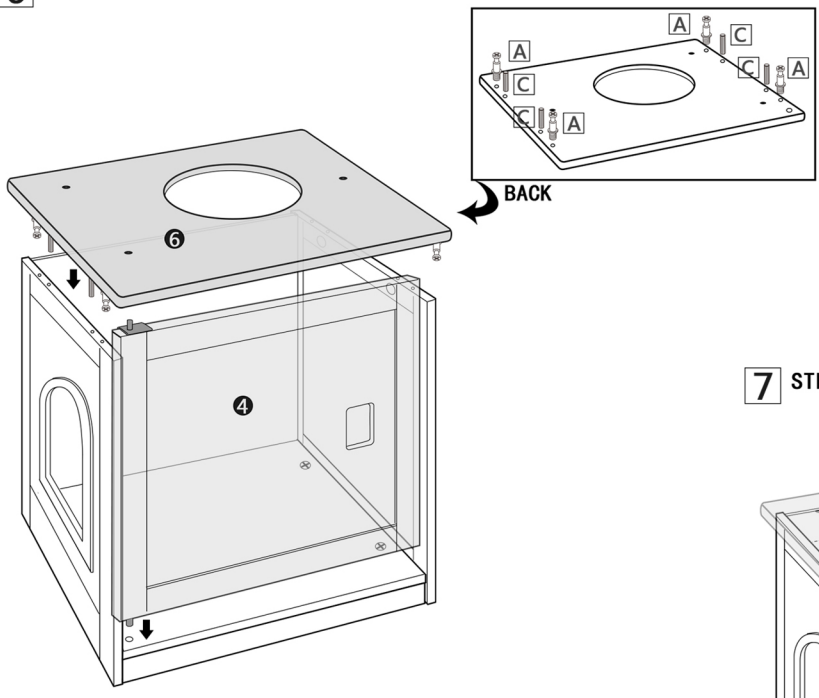
**4** STEP



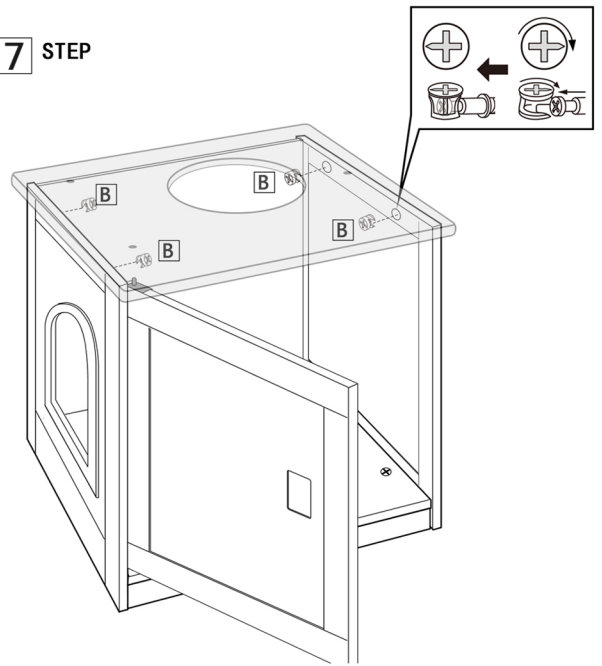
**5** STEP



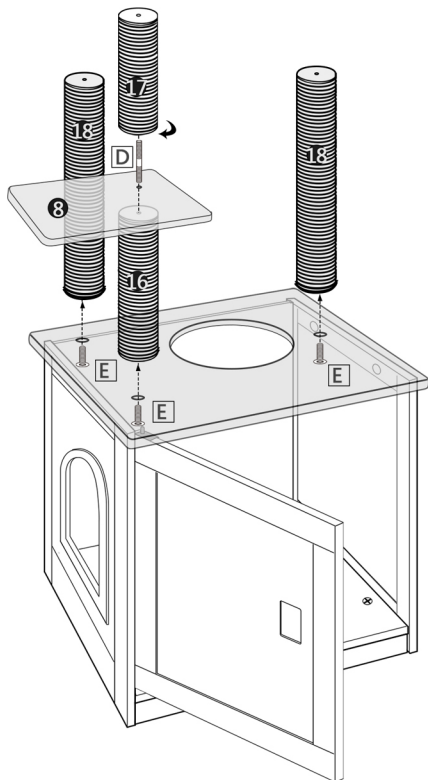
**6** STEP



**7** STEP



**8** STEP



**9** STEP

