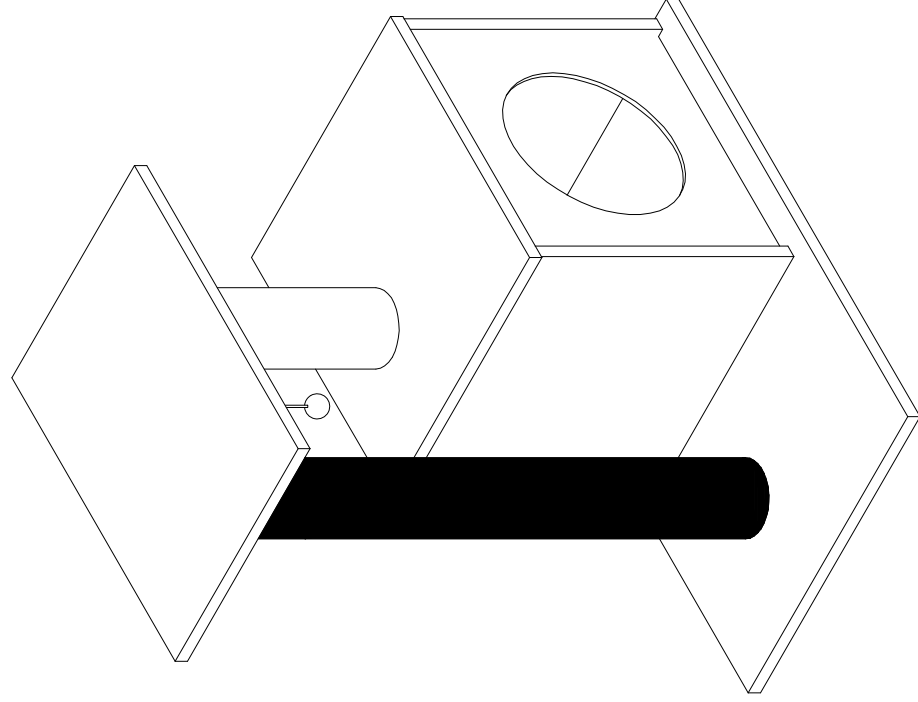


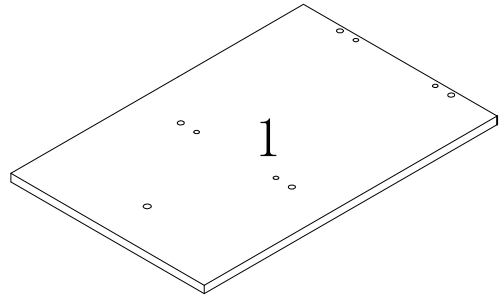
PawHut.

INdha095_GL

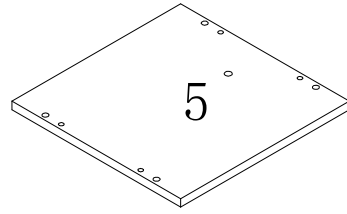
D30-298



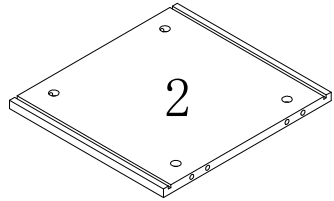
ASSEMBLY INSTRUCTION



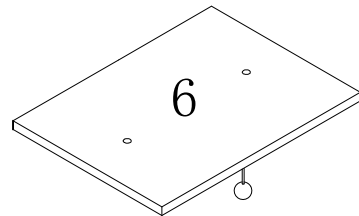
1PC 590mm*390mm



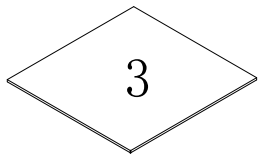
1PC 340mm*340mm



2PCS 338mm*310mm



1PC 400mm*300mm



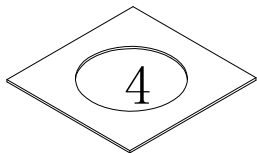
1PC 316mm*310.2mm



1PC SIZE 590mm



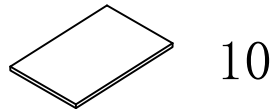
1PC SIZE 265mm



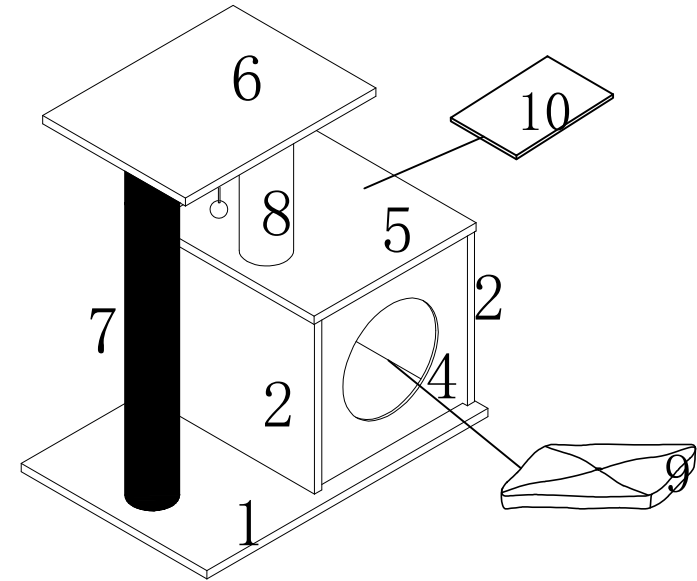
1PC 316mm*310.2mm


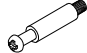
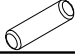
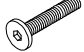




1PC SIZE



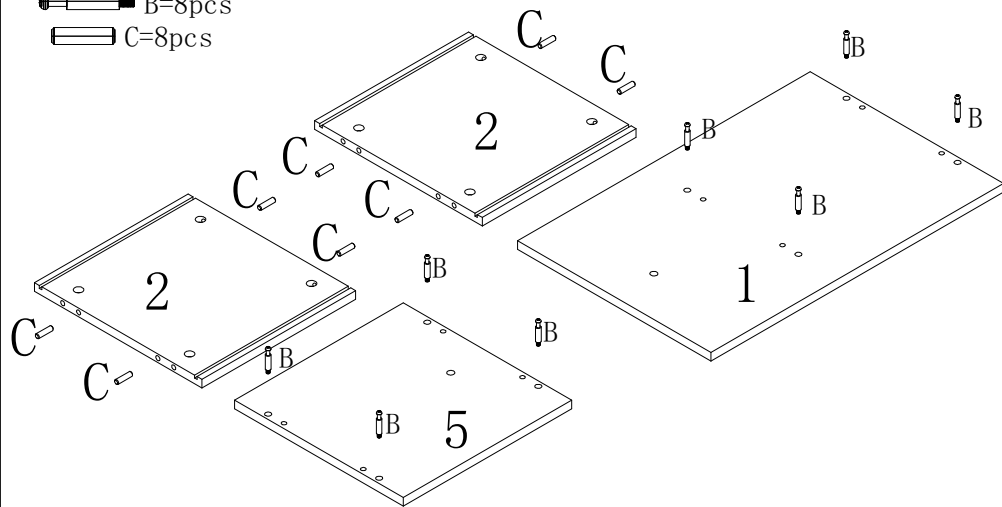
1PC 330mm*320mm



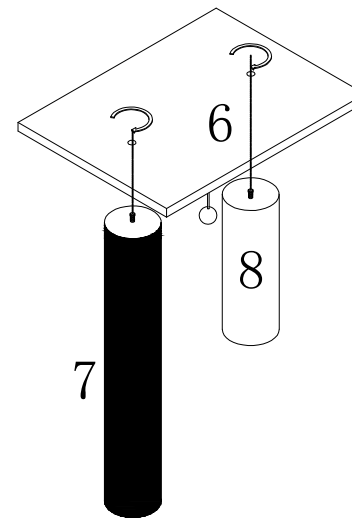
Accessory	Size	Quantity
A 	8pcs+1pc
B 	8pcs+1pc
C 	8mm*40mm	8pcs+2pcs
D 	10mm*40mm	2pcs
E 	5mm	1pc
F 	φ 38mm	4pcs

01

B=8pcs
C=8pcs

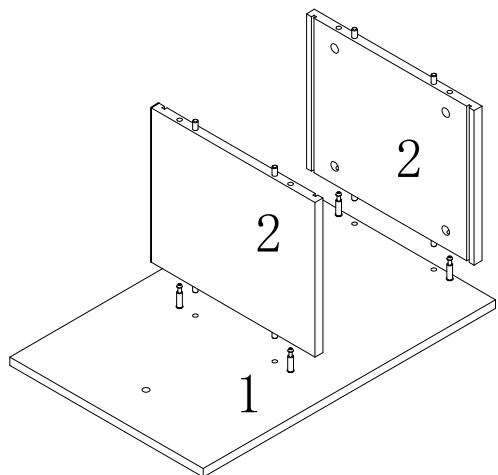


02

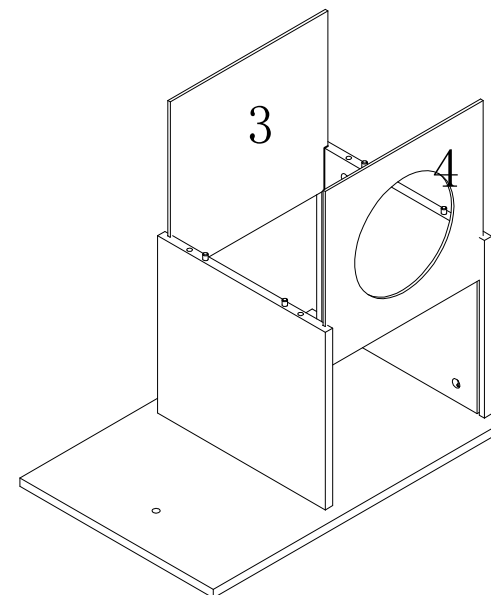


03


D=1pcs
A=4pcs

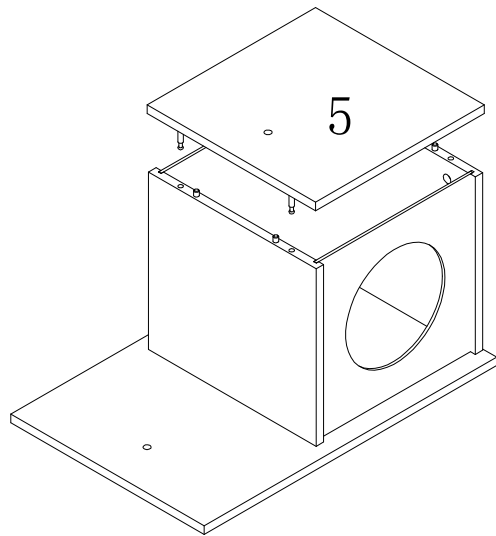


04



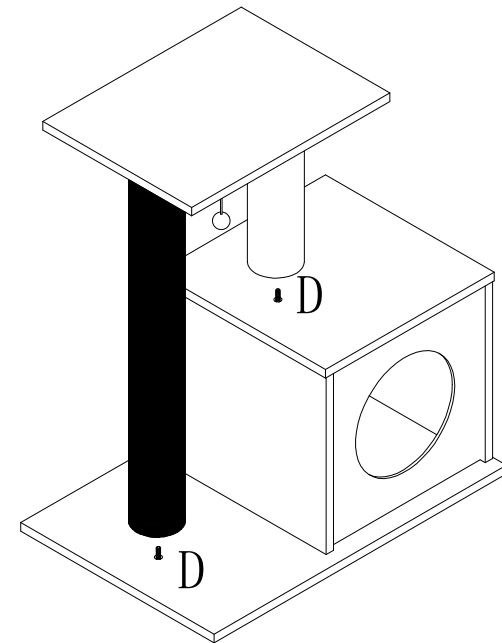
05

 A=4pcs



06

 D=2pcs



US



001-877-644-9366
customerservice@aosom.com

CA



001-855-537-6088
customerservice@aosom.ca

UK



0044-800-240-4004
enquiries@mhstar.co.uk

DE



0049-(0)40-88307530
service@aosom.de

FR



0033-1-84166106
contact@aosom.fr

ES



0034-931294512
atencioncliente@aosom.es

IT



0039-0249471447
clienti@aosom.it

Aosom