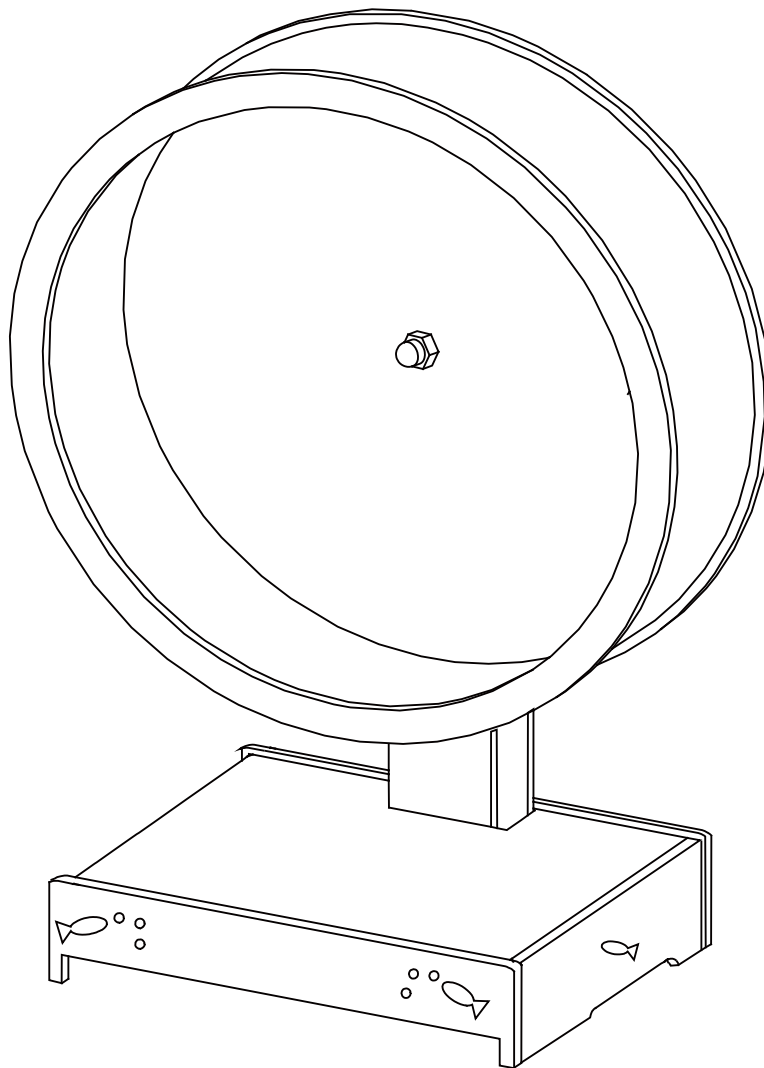


# PawHut

INdha107V02\_GL

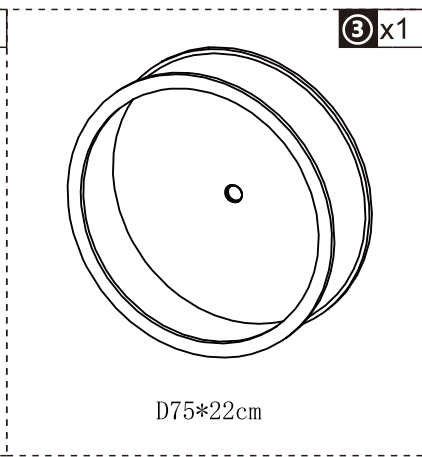
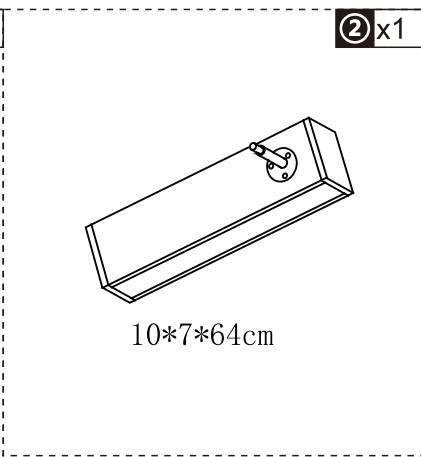
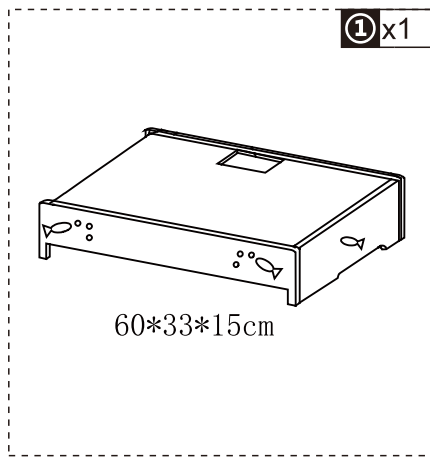
**D30-306V80**



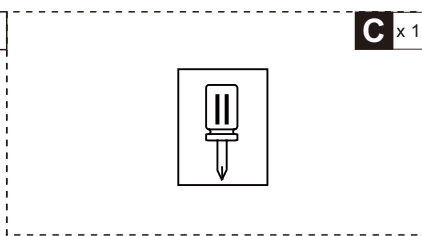
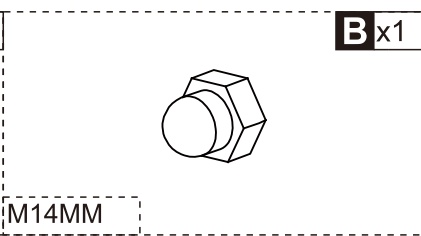
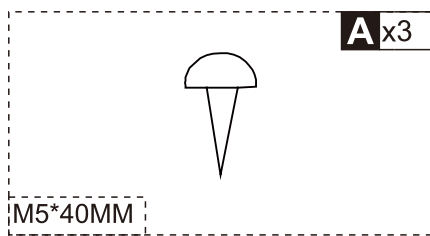
IMPORTANT, RETAIN FOR FUTURE REFERENCE: READ CAREFULLY

## ASSEMBLY & INSTRUCTION MANUAL

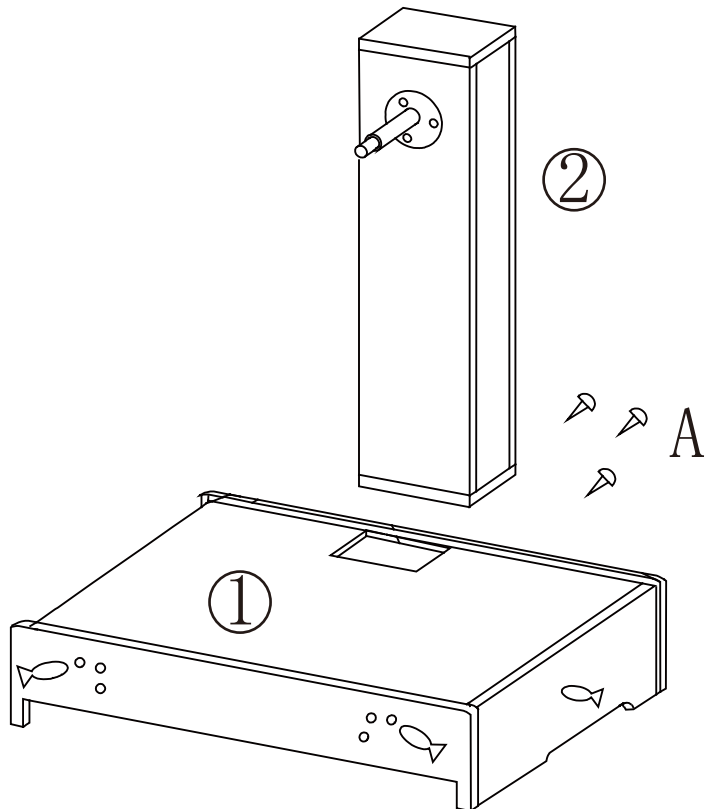
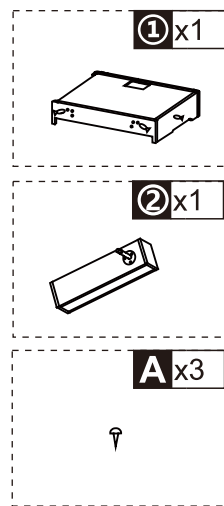
PARTS



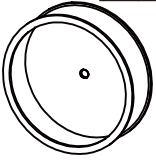
HARDWARE



01



3 x1



B x1

