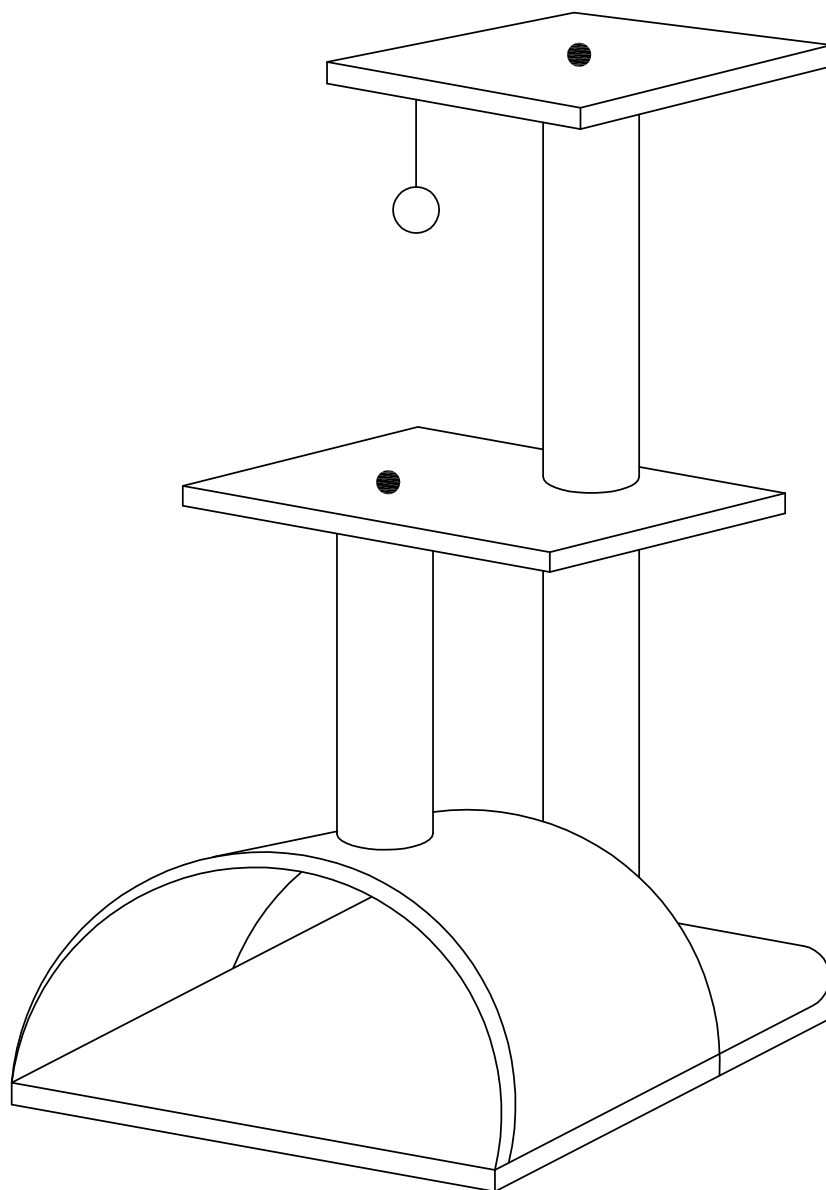


PawHut






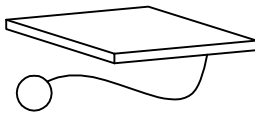
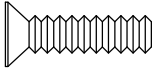
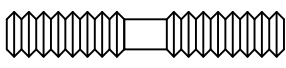

INdha135_GL

D30-351



READ AND SAVE THIS INSTRUCTIONS FOR FUTURE USE

ASSEMBLY & INSTRUCTION MANUAL

 <p>A x 1</p> <p>H33CM</p>	 <p>B x 1</p> <p>H33CM</p>	 <p>C x 1</p> <p>H19CM</p>
 <p>1 x 1</p> <p>400x350mm</p>	 <p>2 x 1</p> <p>380x250mm</p>	 <p>3 x 1</p> <p>280x280mm</p>
 <p>a x 2</p> <p>M8*40</p>	 <p>b x 1</p> <p>M8*80</p>	 <p>c x 1</p>

A x 1

B x 1

C x 1

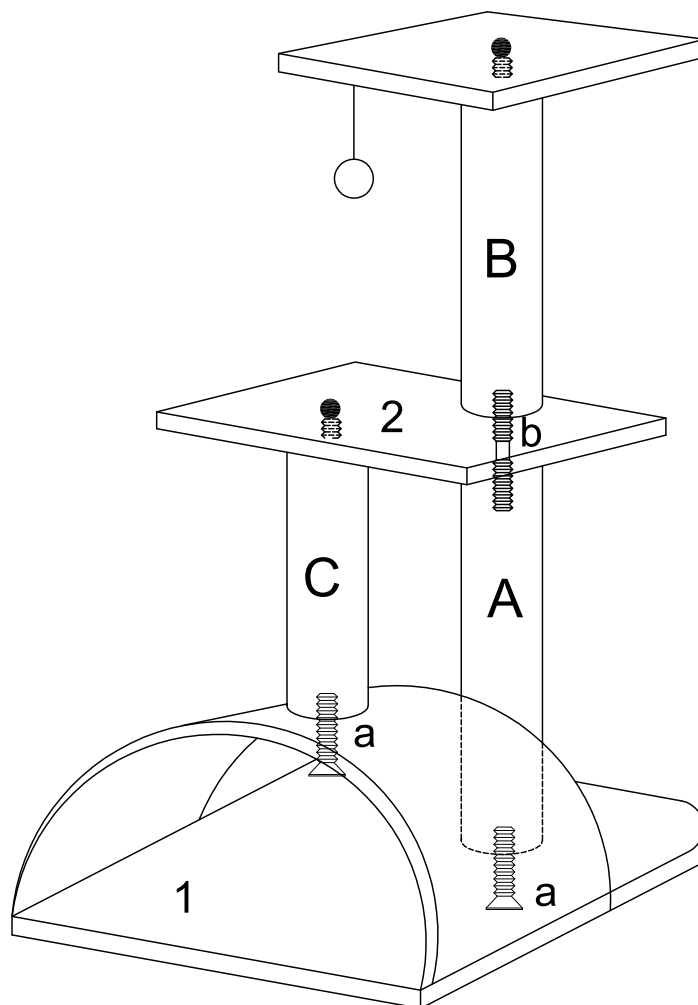
1 x 1

2 x 1

3 x 1

a x 2

b x 1



US



001-877-644-9366
customerservice@aosom.com

CA



001-855-537-6088
customerservice@aosom.ca

UK



0044-800-240-4004
enquiries@mhstar.co.uk

DE



0049-(0)40-88307530
service@aosom.de

FR



0033-1-84166106
contact@aosom.fr

ES



0034-931294512
atencioncliente@aosom.es

IT



0039-0249471447
clienti@aosom.it