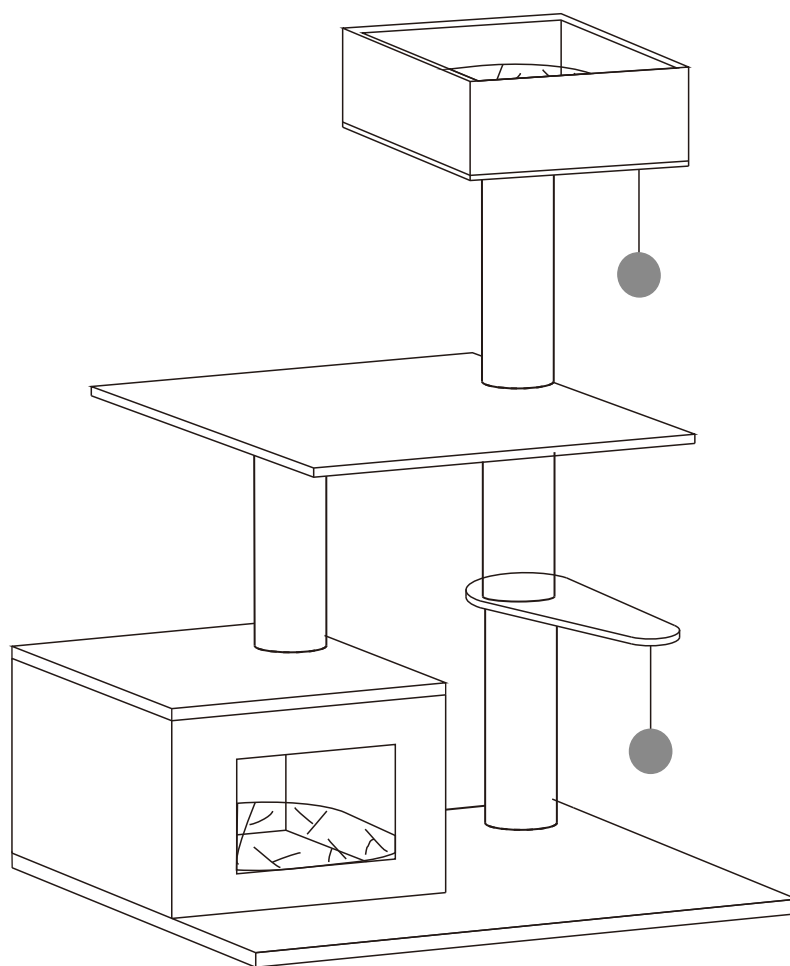


PawHut

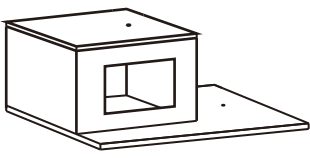

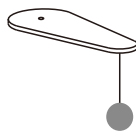
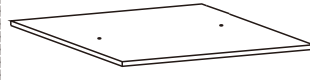
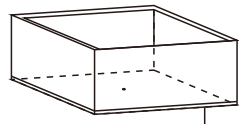
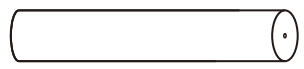
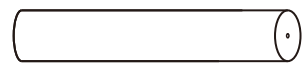
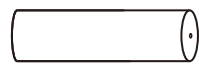



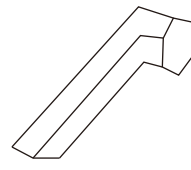
INdha141_GL

D30-376

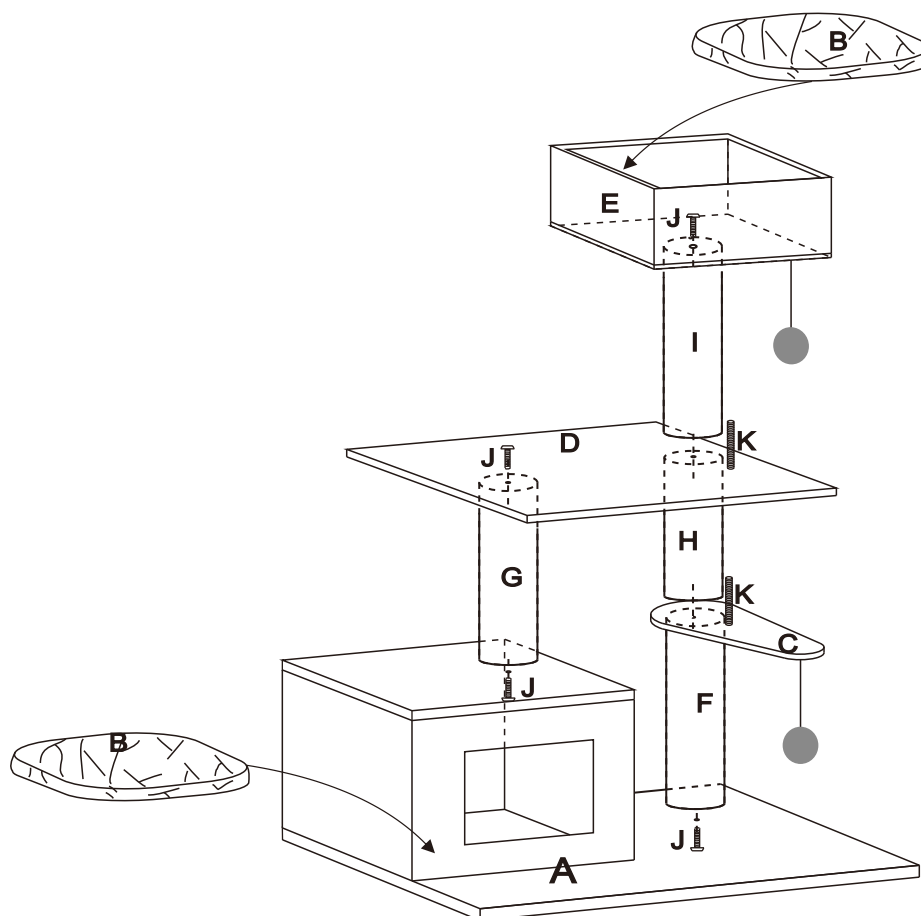


READ AND SAVE THIS INSTRUCTIONS FOR FUTURE USE

ASSEMBLY & INSTRUCTION MANUAL

<p>A x 1</p>  <p>595mm*395mm*310mm</p>	<p>B x 2</p> 	<p>C x 1</p> 	<p>D x 1</p>  <p>395mm*305mm*20mm</p>
<p>E x 1</p>  <p>330mm*330mm*100mm</p>	<p>F x 1</p>  <p>Φ83mm*400mm</p>	<p>G x 1</p>  <p>Φ83mm*350mm</p>	<p>H x 1</p>  <p>Φ83mm*225mm</p>
<p>I x 1</p>  <p>Φ83mm*300mm</p>	<p>J x 4</p>  <p>8mm*40mm</p>	<p>K x 2</p>  <p>8mm*85mm</p>	<p>L x 1</p>  <p>5mm</p>

- A** x 1
- B** x 2
- C** x 1
- D** x 1
- E** x 1
- F** x 1
- G** x 1
- H** x 1
- I** x 1
- J** x 4
- K** x 2



US



001-877-644-9366
customerservice@aosom.com

CA



001-855-537-6088
customerservice@aosom.ca

UK



0044-800-240-4004
enquiries@mhstar.co.uk

DE



0049-(0)40-88307530
service@aosom.de

FR



0033-1-84166106
contact@aosom.fr

ES



0034-931294512
atencioncliente@aosom.es

IT



0039-0249471447
clienti@aosom.it