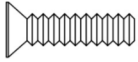
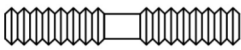

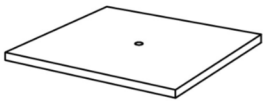
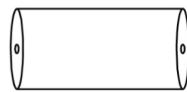


Accessory	Size
a 	M 8 *40 2 PCS
b 	M 8 *80 1 PC
	SPANNER 1 PC



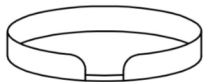
1

1 PCS SIZE 450mm*450mm



A

1 PC SIZE 355mm



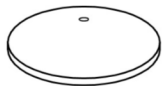
2

1 PC SIZE 450mm*360mm



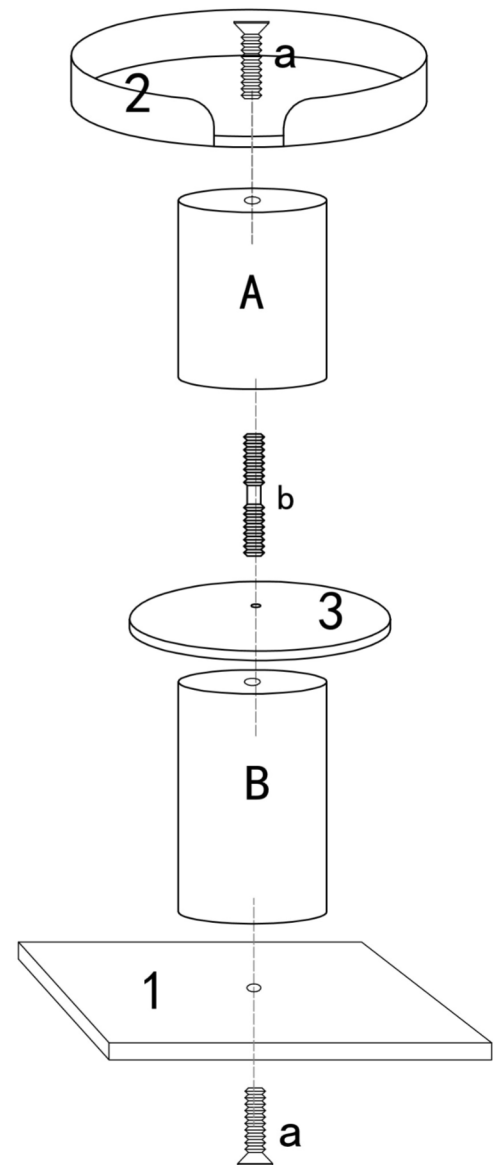
B

1 PC SIZE 400mm



3

1 PC SIZE 350mm*350mm



Please read these instructions and warranty information carefully before use and keep them properly for future reference.