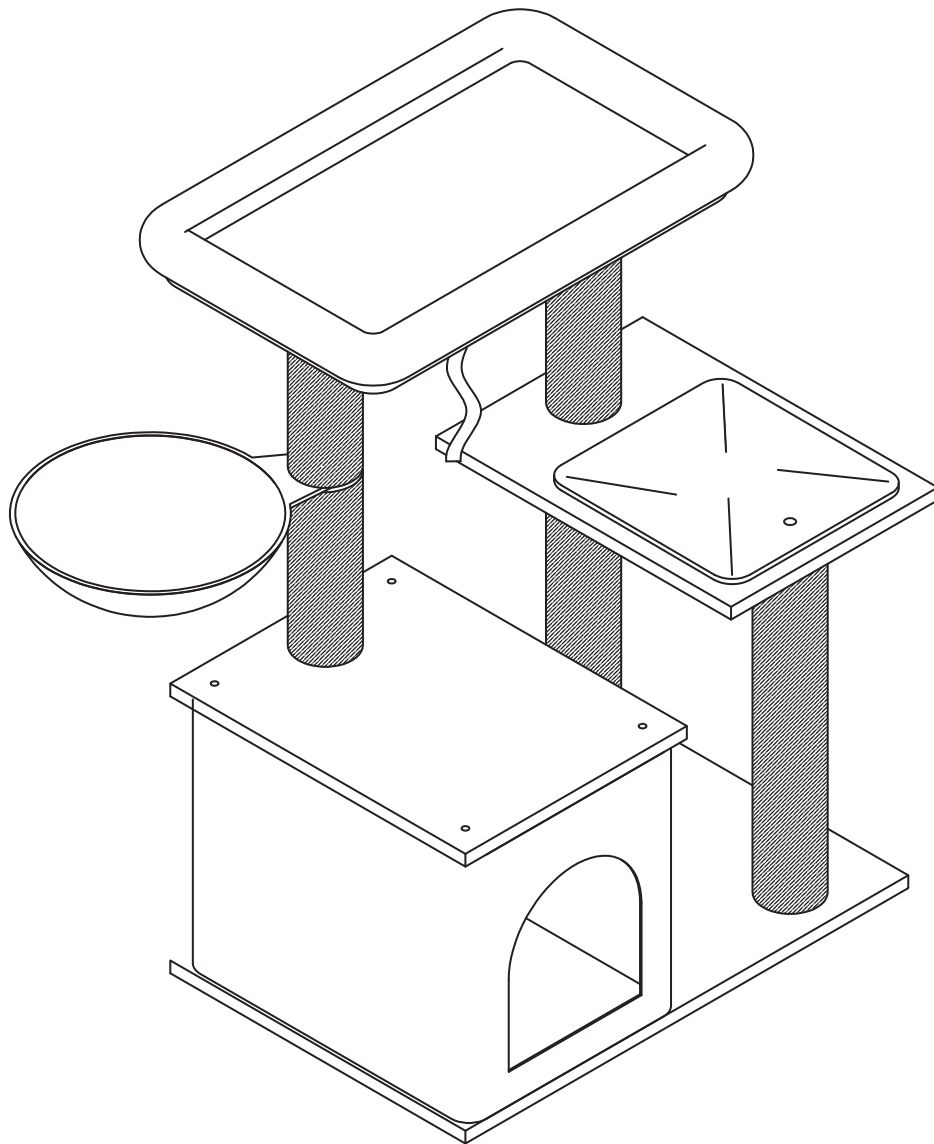


PawHut

INdha165_GL

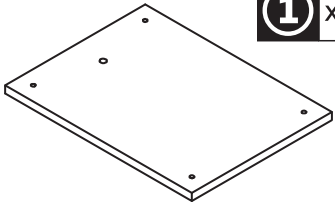
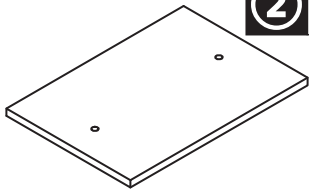
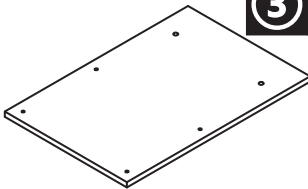
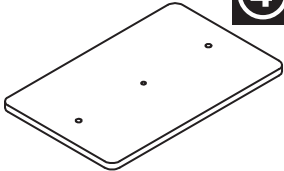




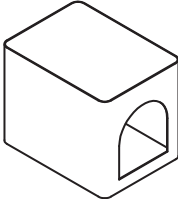
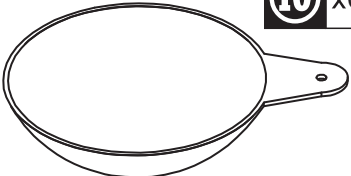
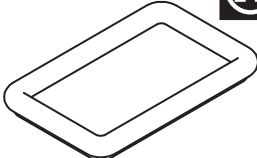
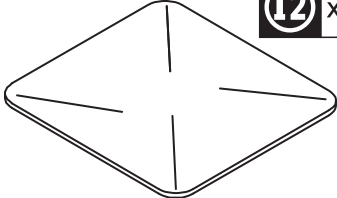

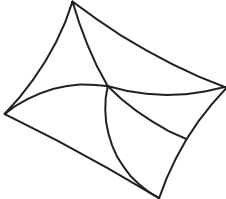
D30-447



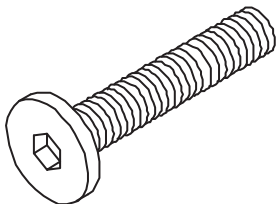
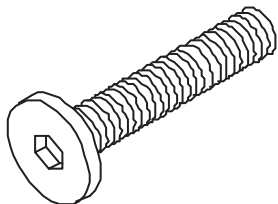
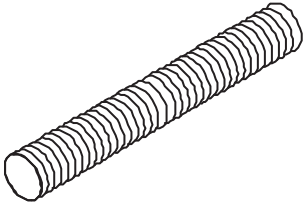
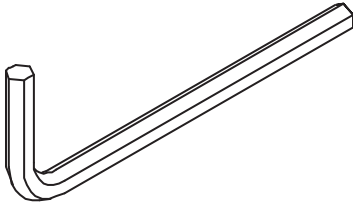
IMPORTANT, RETAIN FOR FUTURE REFERENCE: READ CAREFULLY

ASSEMBLY & INSTRUCTION MANUAL

PARTS

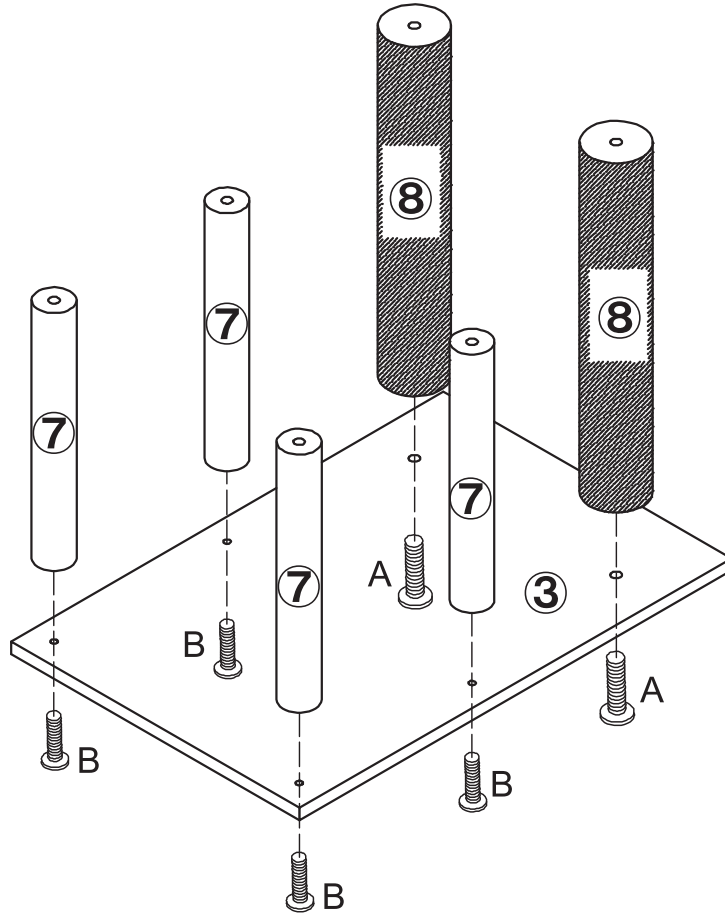
 <p>1 x01</p>	 <p>2 x01</p>	 <p>3 x01</p>
 <p>4 x01</p>	 <p>5 x02</p>	 <p>6 x01</p>
 <p>7 x04</p>	 <p>8 x02</p>	 <p>9 x01</p>
 <p>10 x01</p>	 <p>11 x01</p>	 <p>12 x02</p>
 <p>13 x01</p>		 <p>14 x01</p>

HARDWARE

 <p>A x06 M10*40 +1(spare)</p>	 <p>B x08 M6*35 +1(spare)</p>
 <p>C x02 M10*85</p>	 <p>D x01 M5</p>

A x02
M10*40

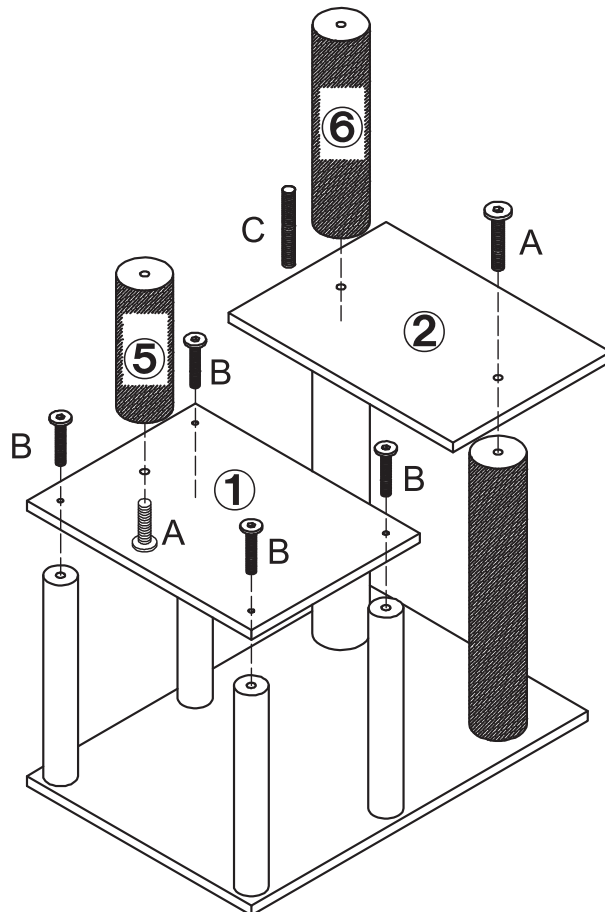
B x04
M6*35



A x02
M10*40

B x04
M6*35

C x01
M10*85



A x02
M10*40

C x01
M10*85

