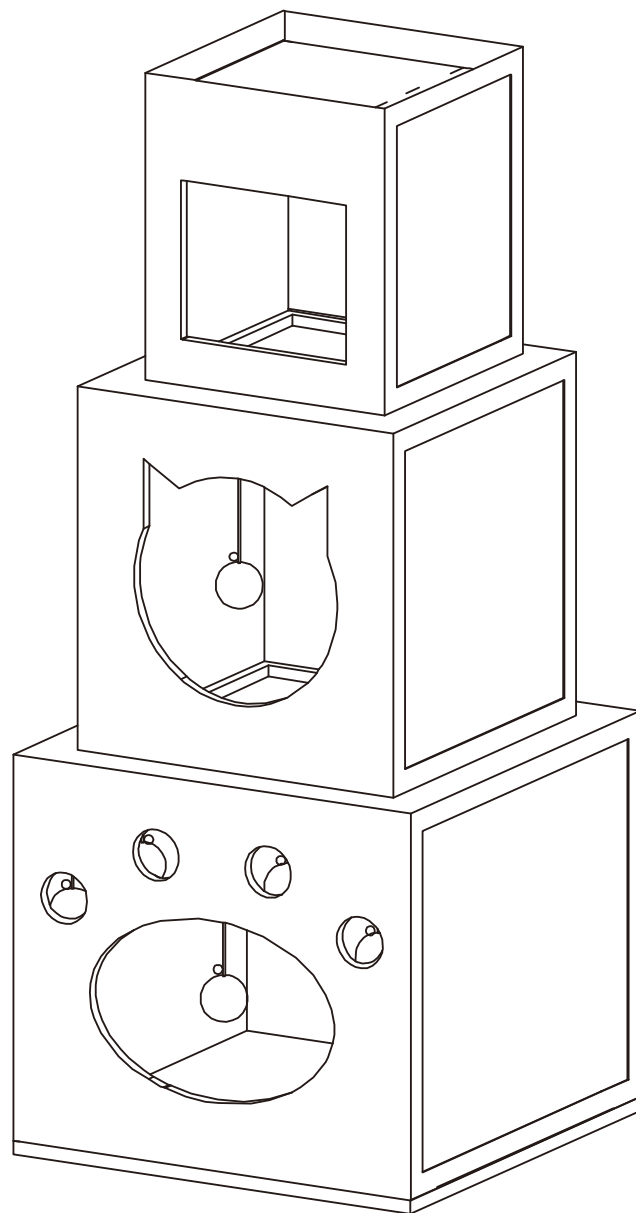


PawHut

INdha168_GL

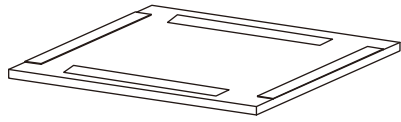
D30-469



IMPORTANT, RETAIN FOR FUTURE REFERENCE: READ CAREFULLY

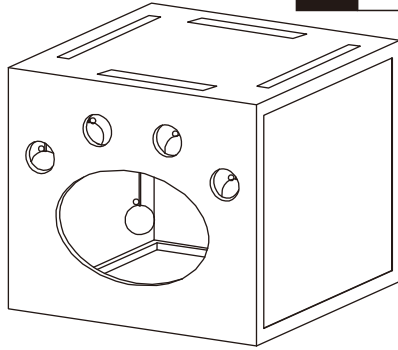
ASSEMBLY & INSTRUCTION MANUAL

A x 1



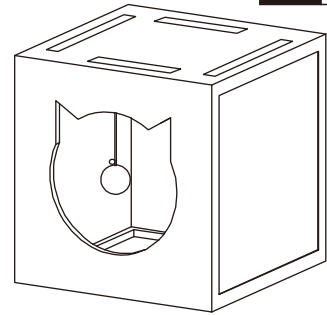
48*48CM

B x 1



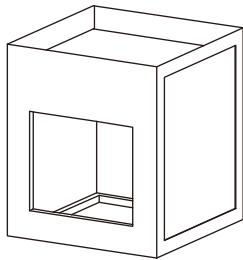
48*48*39CM

C x 1



40*40*35CM

D x 1



32*32*33CM

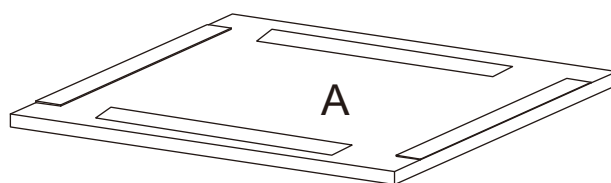
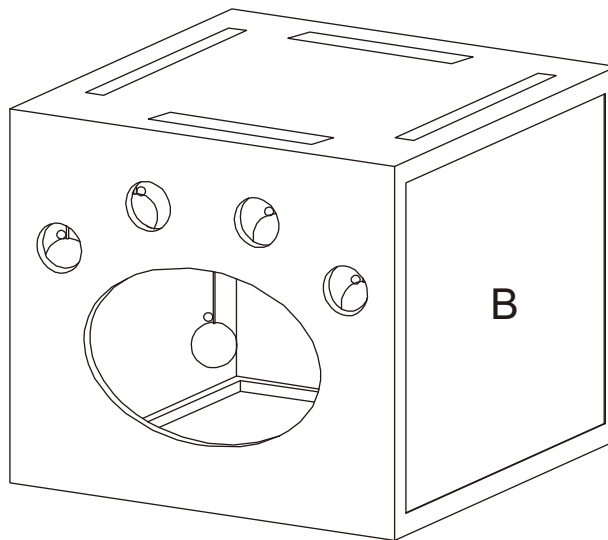
E x 1



29*29CM

A x 1

B x 1



C x 1

D x 1

E x 1

