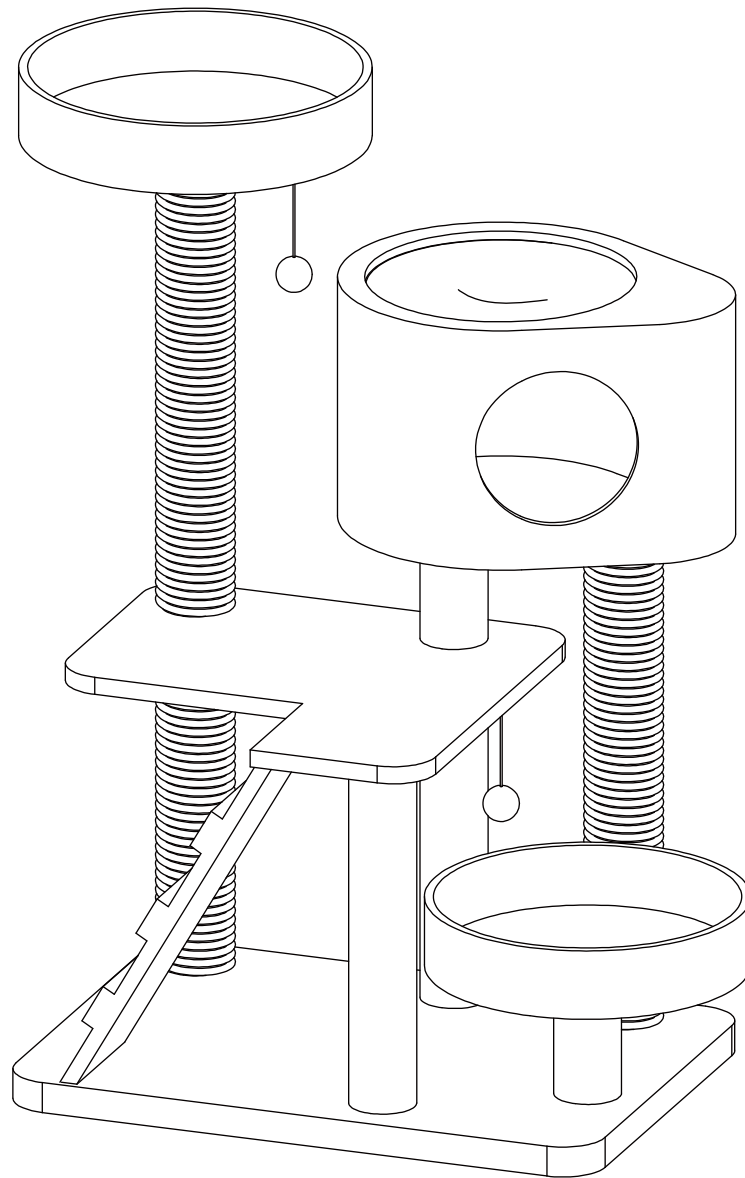


PawHut

INdha172_GL

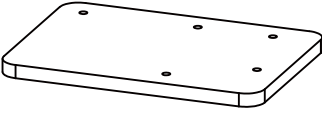
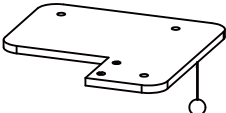
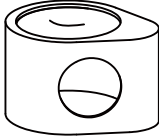
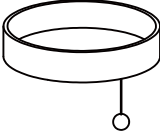

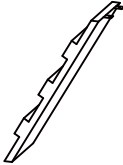
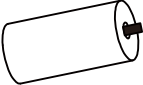


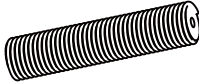
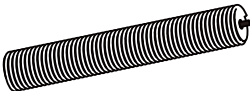
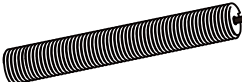
D30-408



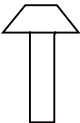
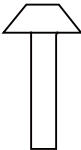


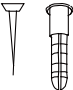
IMPORTANT, RETAIN FOR FUTURE REFERENCE: READ CAREFULLY

ASSEMBLY & INSTRUCTION MANUAL

PARTS

 <p>70*50*4cm</p>	 <p>50*50*2cm</p>
 <p>46*37*25cm</p>	 <p>D37*9cm</p>
 <p>D35*9cm</p>	 <p>46*16*3cm</p>
 <p>D9*15cm</p>	 <p>D9*40cm</p>
 <p>D9*40cm</p>	 <p>D9*40cm</p>
 <p>D9*56.5cm</p>	 <p>D9*60cm</p>

HARDWARE

 <p>M8*20MM</p>	 <p>M8*40MM</p>	 <p>M8*70MM</p>
 <p>M30MM</p>	 <p>M4*30MM</p>	