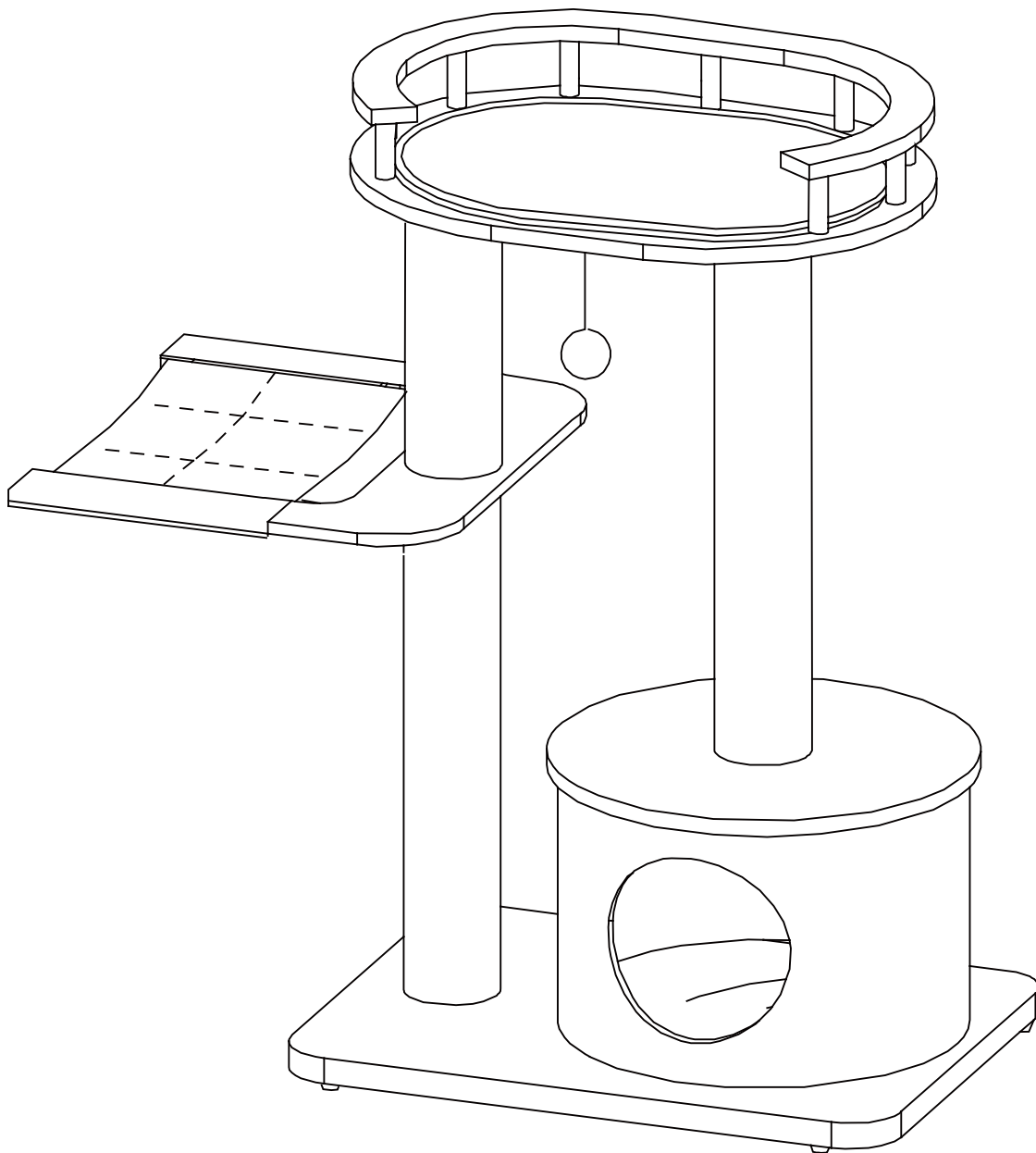


# PawHut

INdha174\_GL

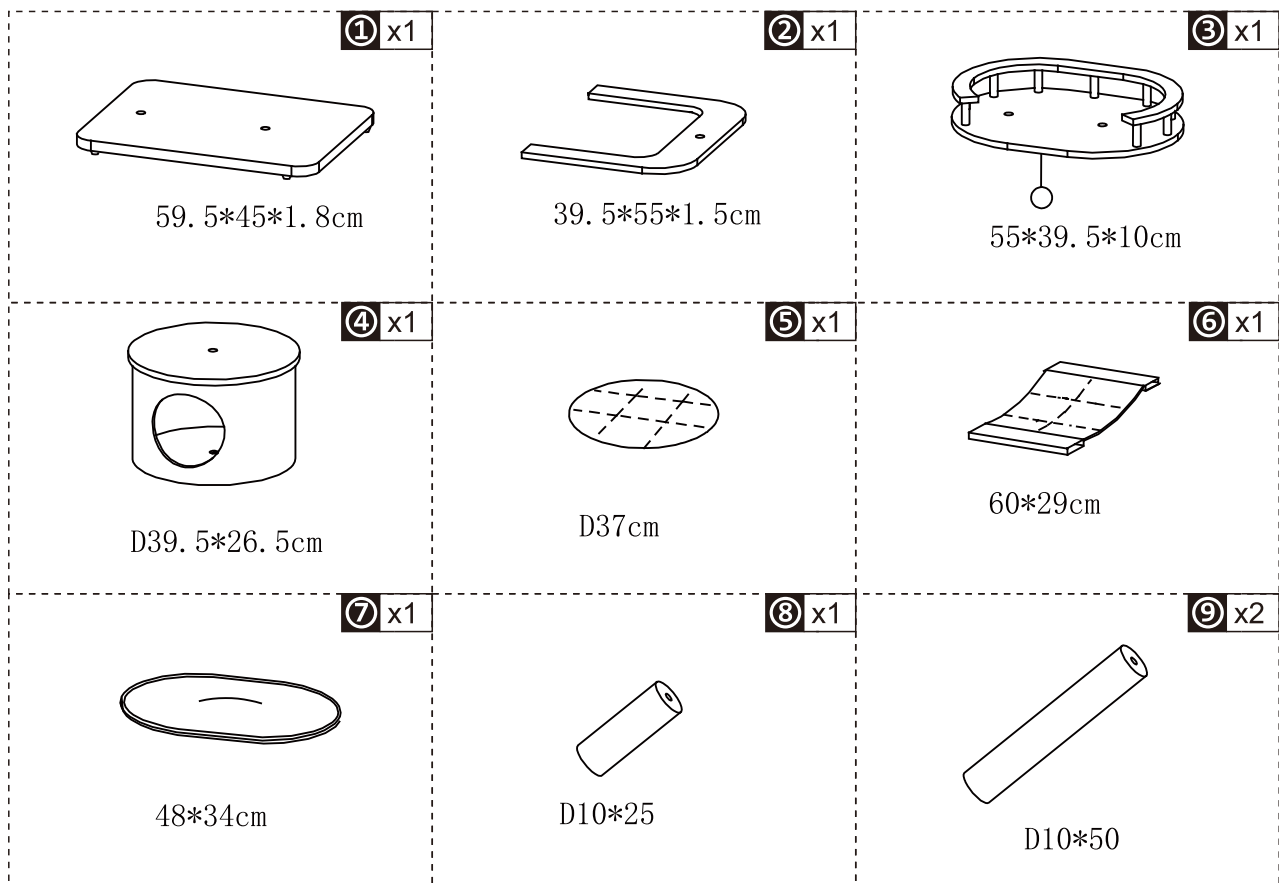
**D30-415**



IMPORTANT, RETAIN FOR FUTURE REFERENCE: READ CAREFULLY

## ASSEMBLY & INSTRUCTION MANUAL

**PARTS**



**HARDWARE**

