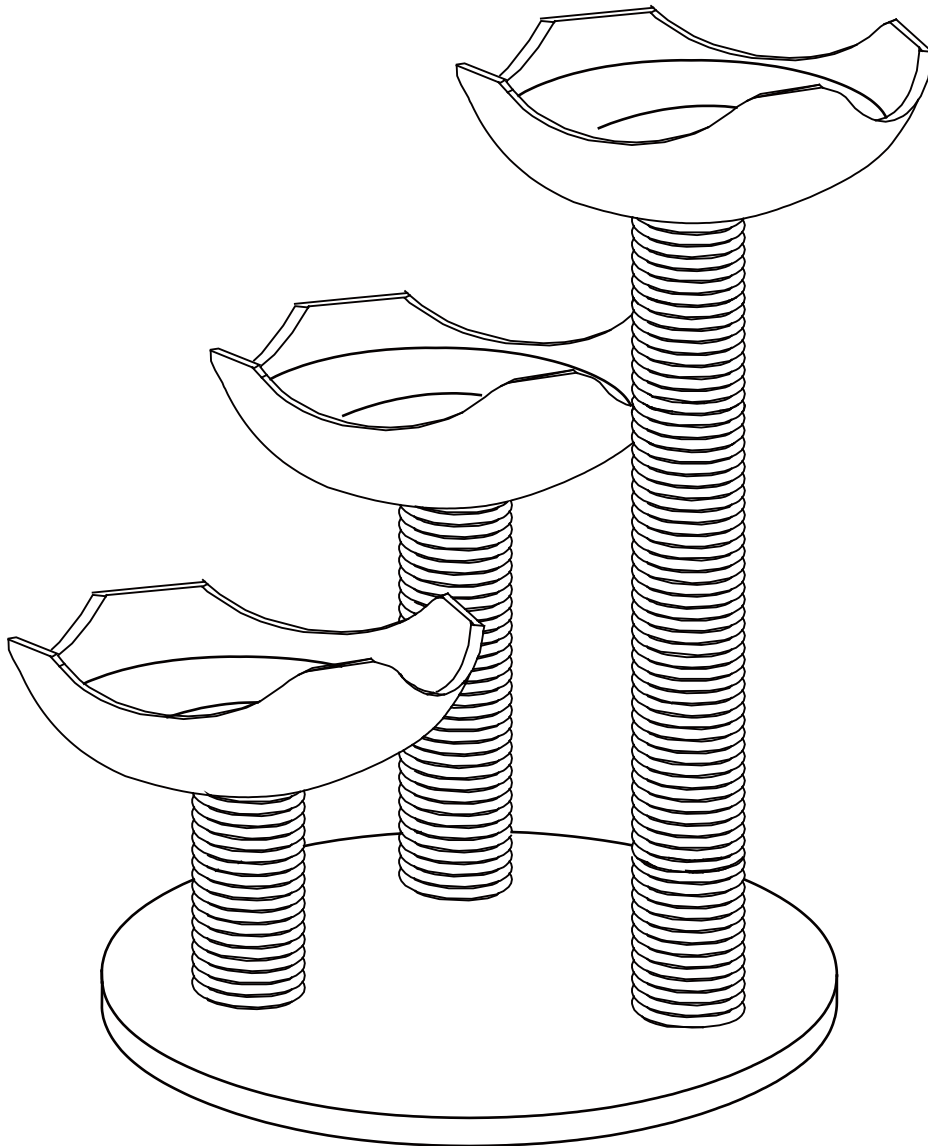


# PawHut

INdha177\_GL

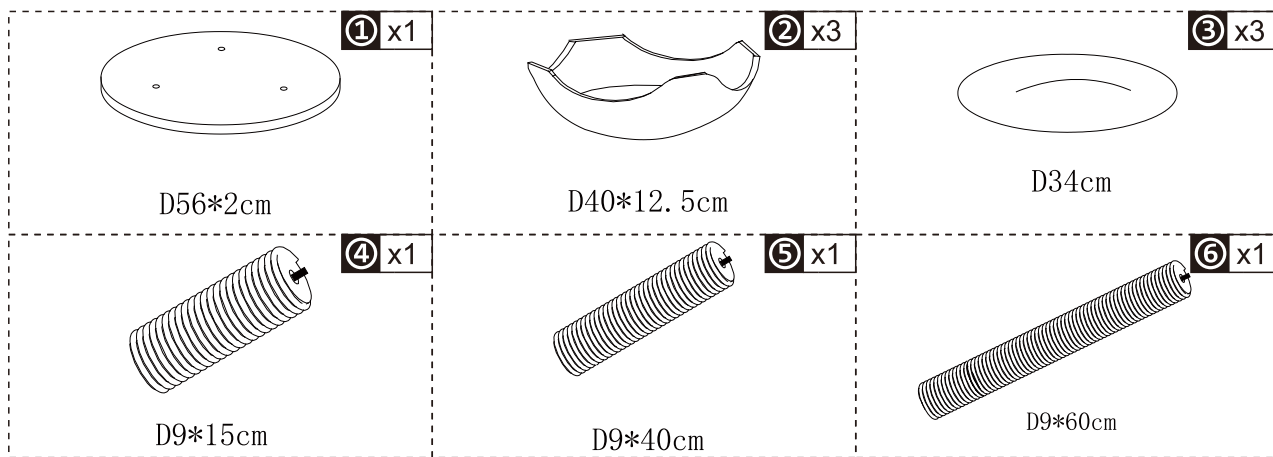
**D30-409**



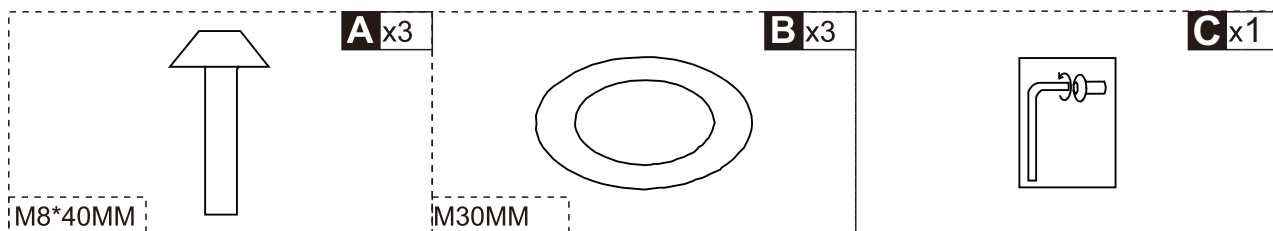
IMPORTANT, RETAIN FOR FUTURE REFERENCE: READ CAREFULLY

## ASSEMBLY & INSTRUCTION MANUAL

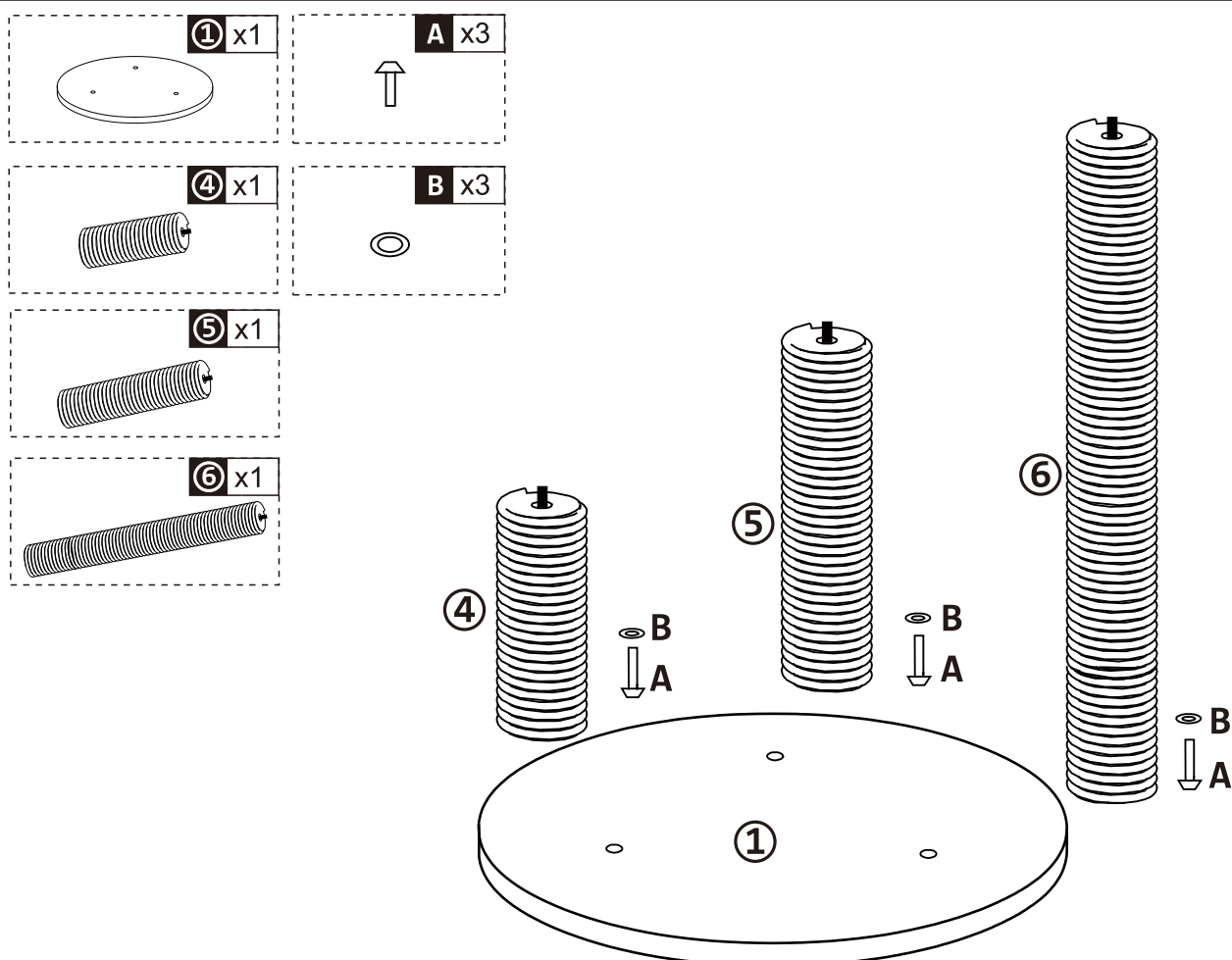
**PARTS**



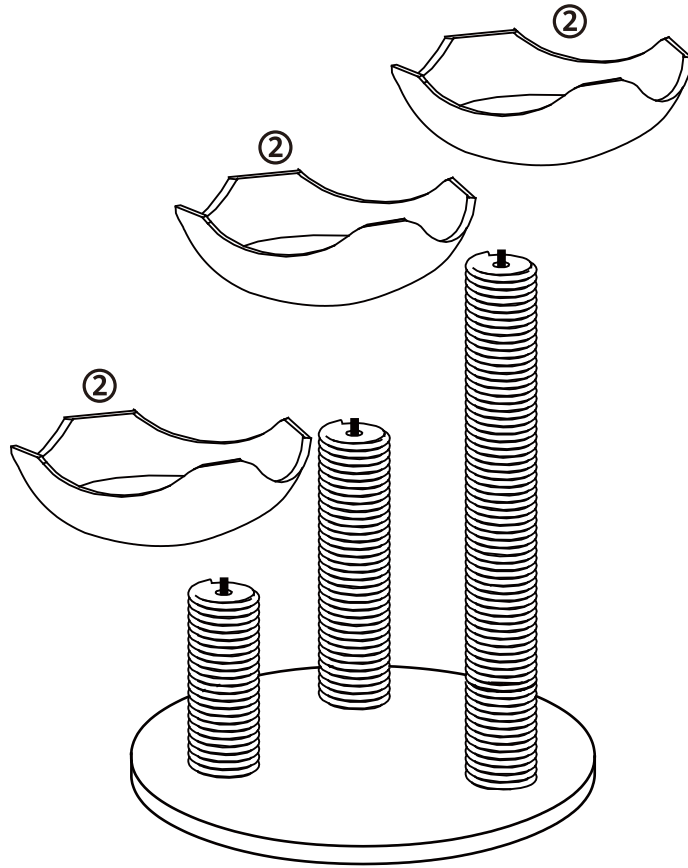
**HARDWARE**



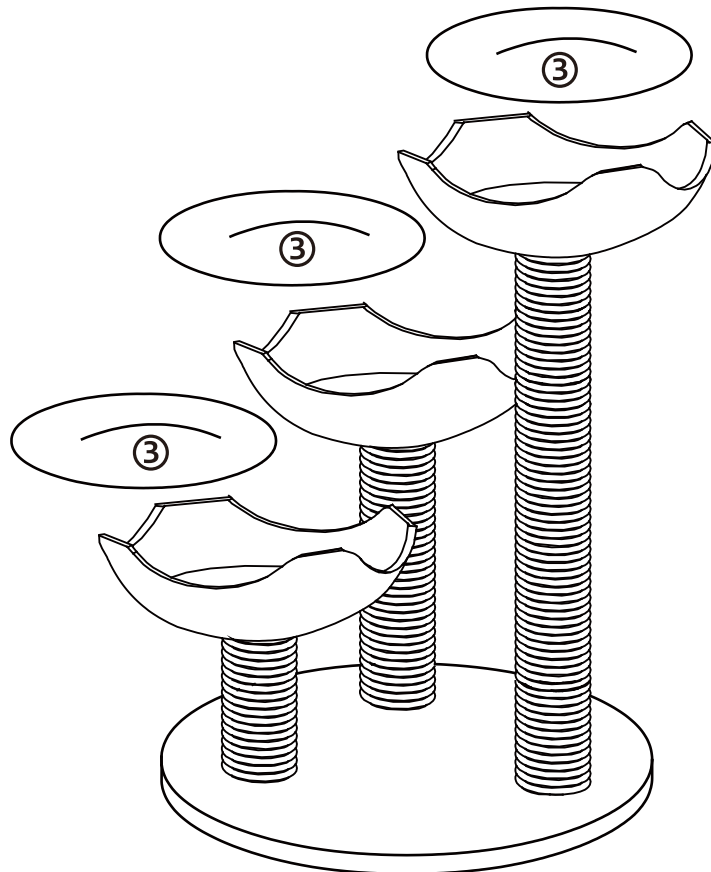
**01**



② x3



③ x3



Done