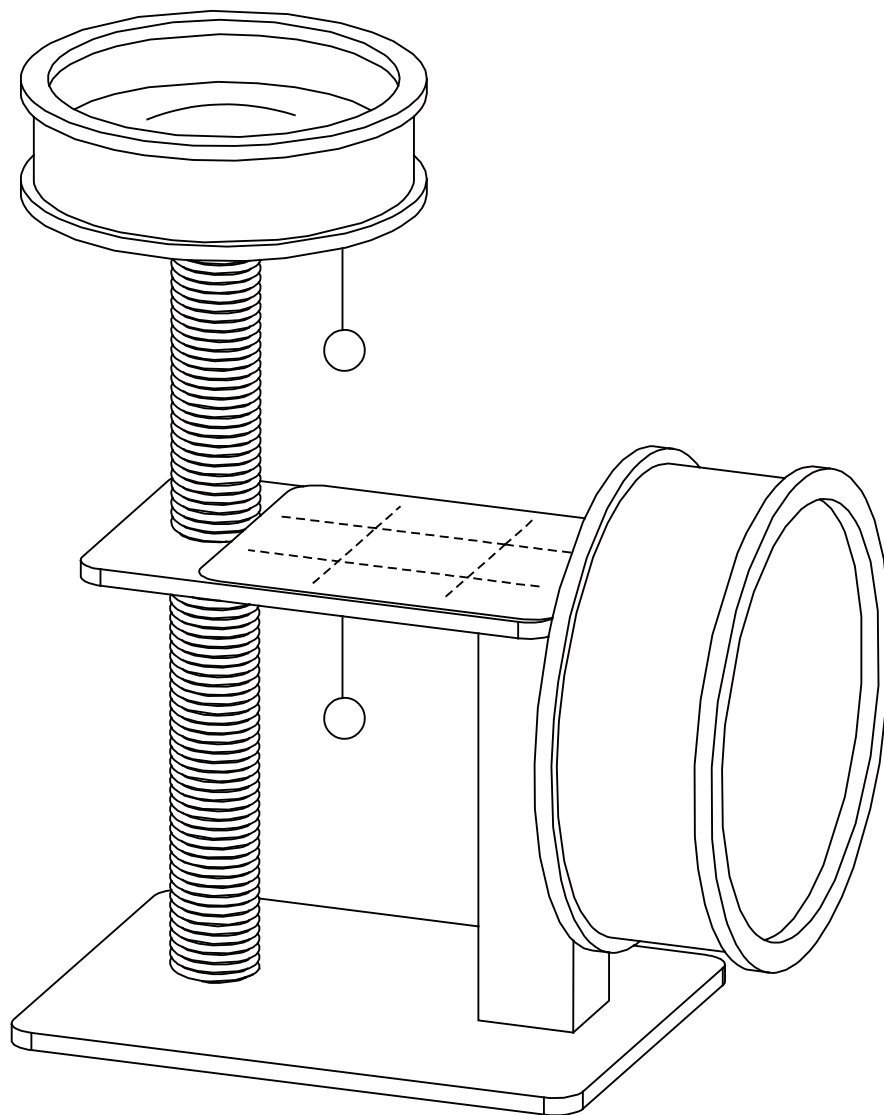


PawHut

INdha180_GL

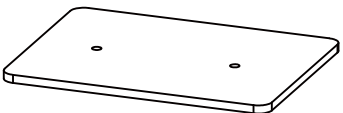
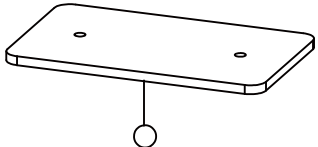
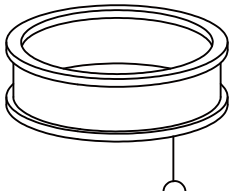
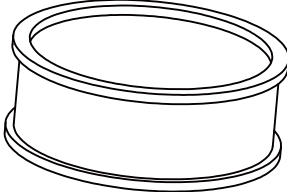
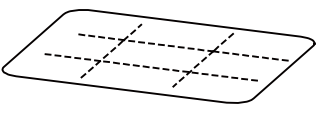
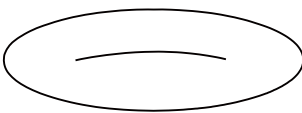
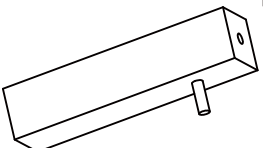
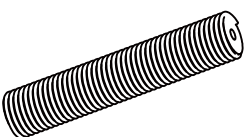
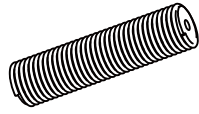
D30-417



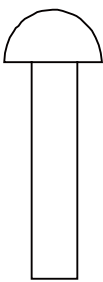

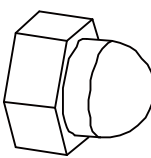
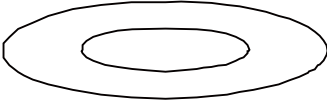
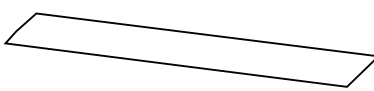
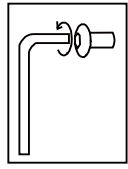
IMPORTANT, RETAIN FOR FUTURE REFERENCE: READ CAREFULLY

ASSEMBLY & INSTRUCTION MANUAL

PARTS

 <p>① x1</p> <p>59.5*45*1.8cm</p>	 <p>② x1</p> <p>50*29.5*1.5cm</p>	 <p>③ x1</p> <p>D39.5*12cm</p>
 <p>④ x1</p> <p>D60*18m</p>	 <p>⑤ x1</p> <p>40*29.5cm</p>	 <p>⑥ x1</p> <p>D36cm</p>
 <p>⑦ x1</p> <p>10*10*45cm</p>	 <p>⑧ x1</p> <p>D9*45cm</p>	 <p>⑨ x1</p> <p>D9*30cm</p>

HARDWARE

 <p>A x4+1spare</p>	 <p>B x1</p>	 <p>C x1</p>
<p>M10*45MM;</p>  <p>D x2</p> <p>M40MM</p>	<p>M10*70MM;</p>  <p>E x2</p> <p>2*20CM</p>	<p>M14MM</p>  <p>F x1</p>

