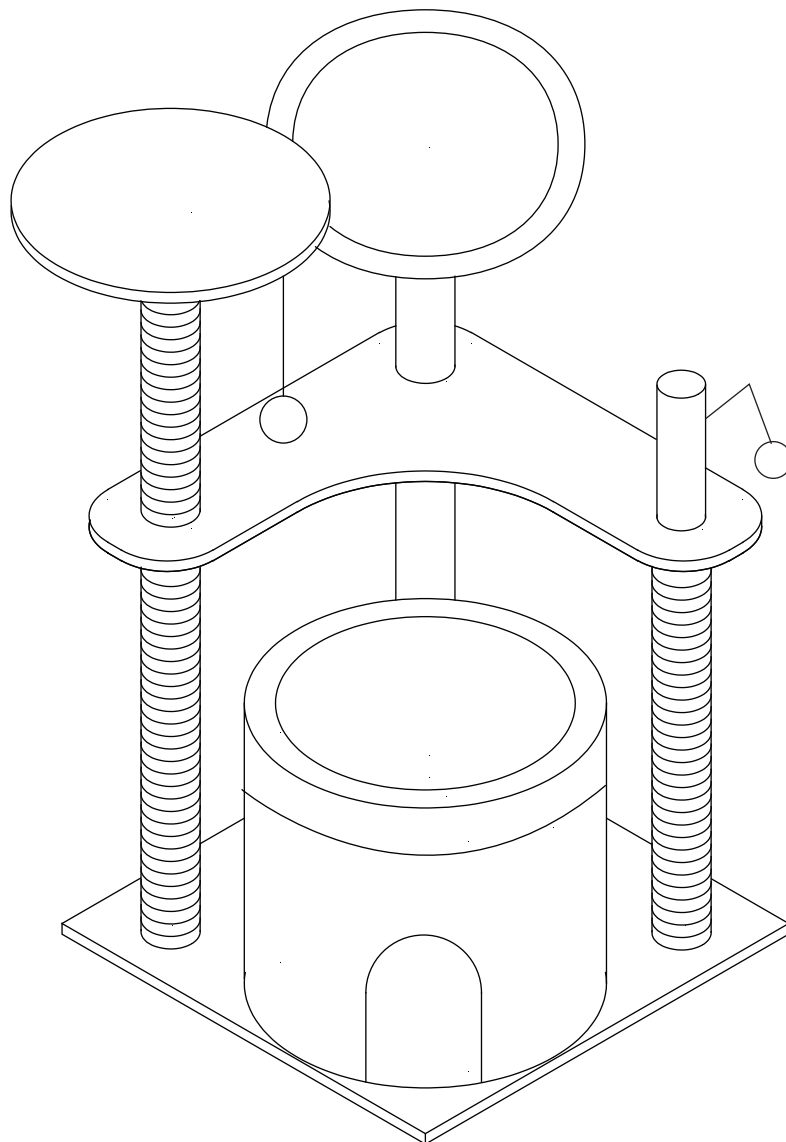


PawHut

INdha184_GL

D30-482

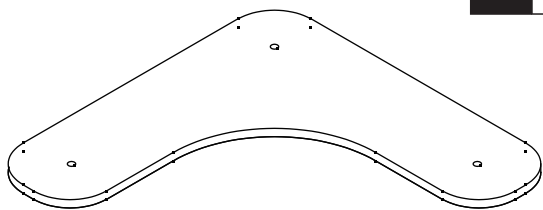


IMPORTANT, RETAIN FOR FUTURE REFERENCE: READ CAREFULLY

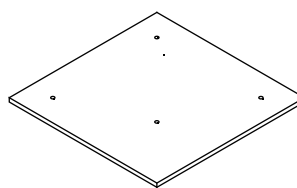
ASSEMBLY & INSTRUCTION MANUAL

PARTS

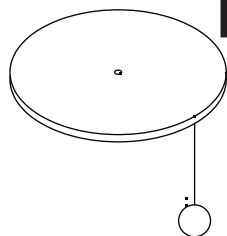
A1 x 1



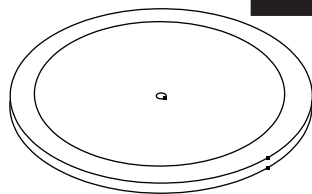
B1 x 1



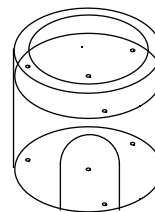
C1 x 1



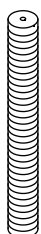
D1 x 1



E1 x 1



P1 x 2



P2 x 1



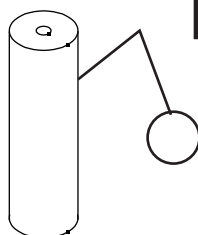
P3 x 1



P4 x 1



P5 x 1

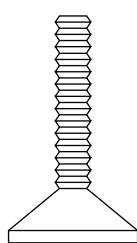


P6 x 3



HARDWARE

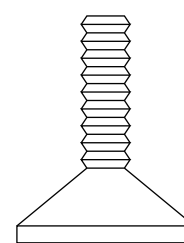
W1 x 10
M8*35
+1(spare)



W2 x 3
M8*70



W3 x 1
M8*25



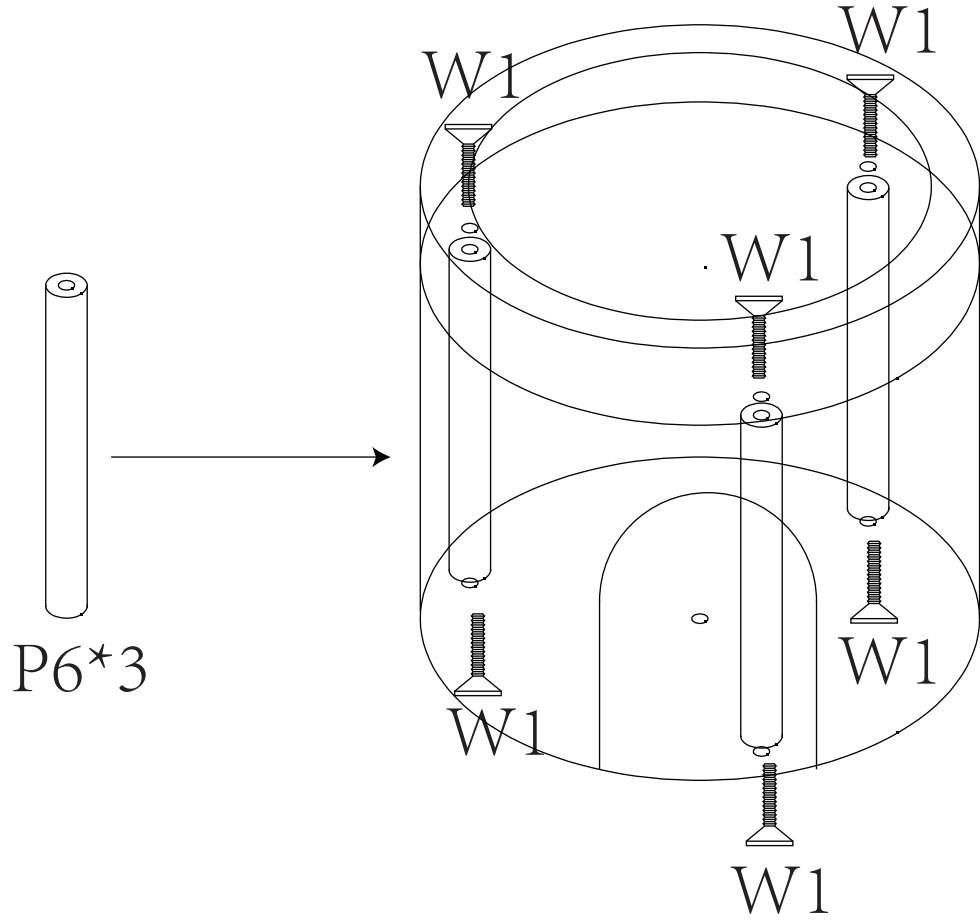
W4 x 1
M8*53



W5 x 1

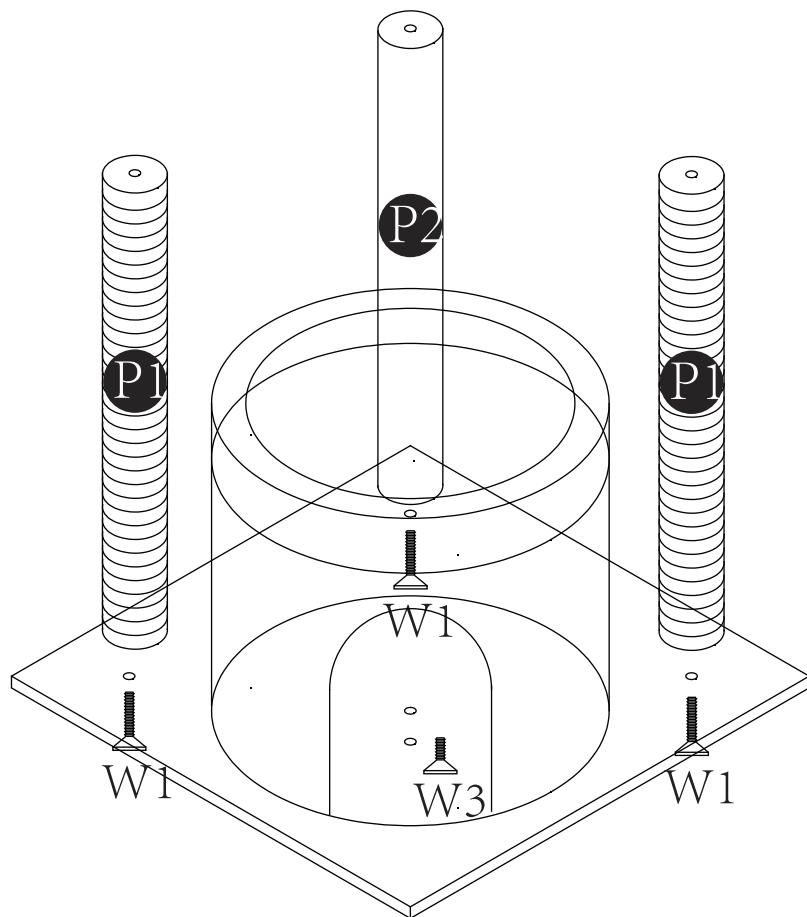


W1 x 6
M8*35



W1 x 3
M8*35

W3 x 1
M8*25



W1 x 1
M8*40

W2 x 3
M8*70

W4 x 1
M8*53

