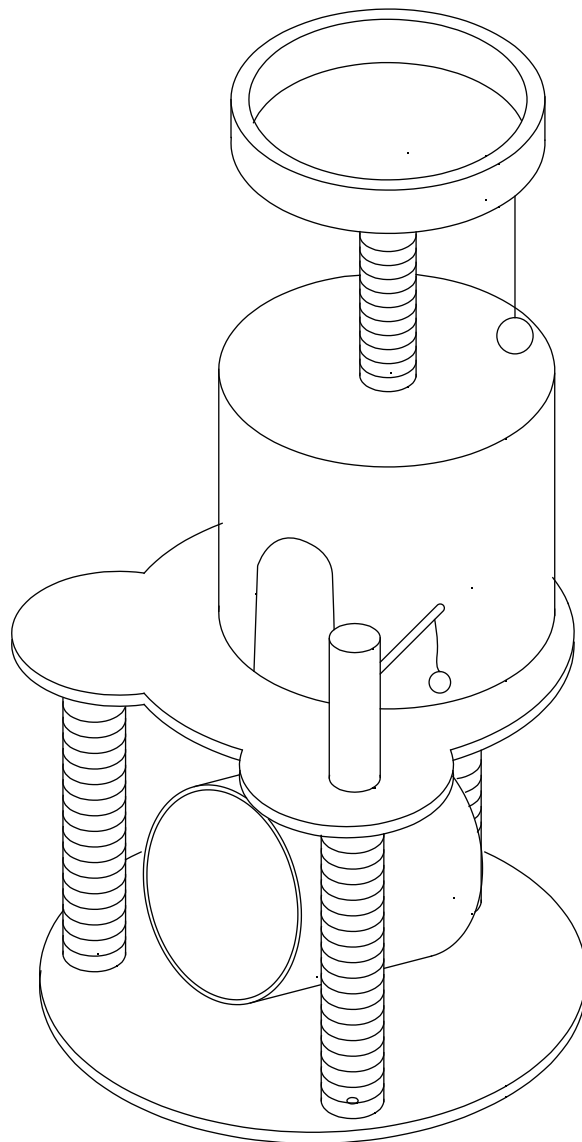


PawHut

INdha186_GL

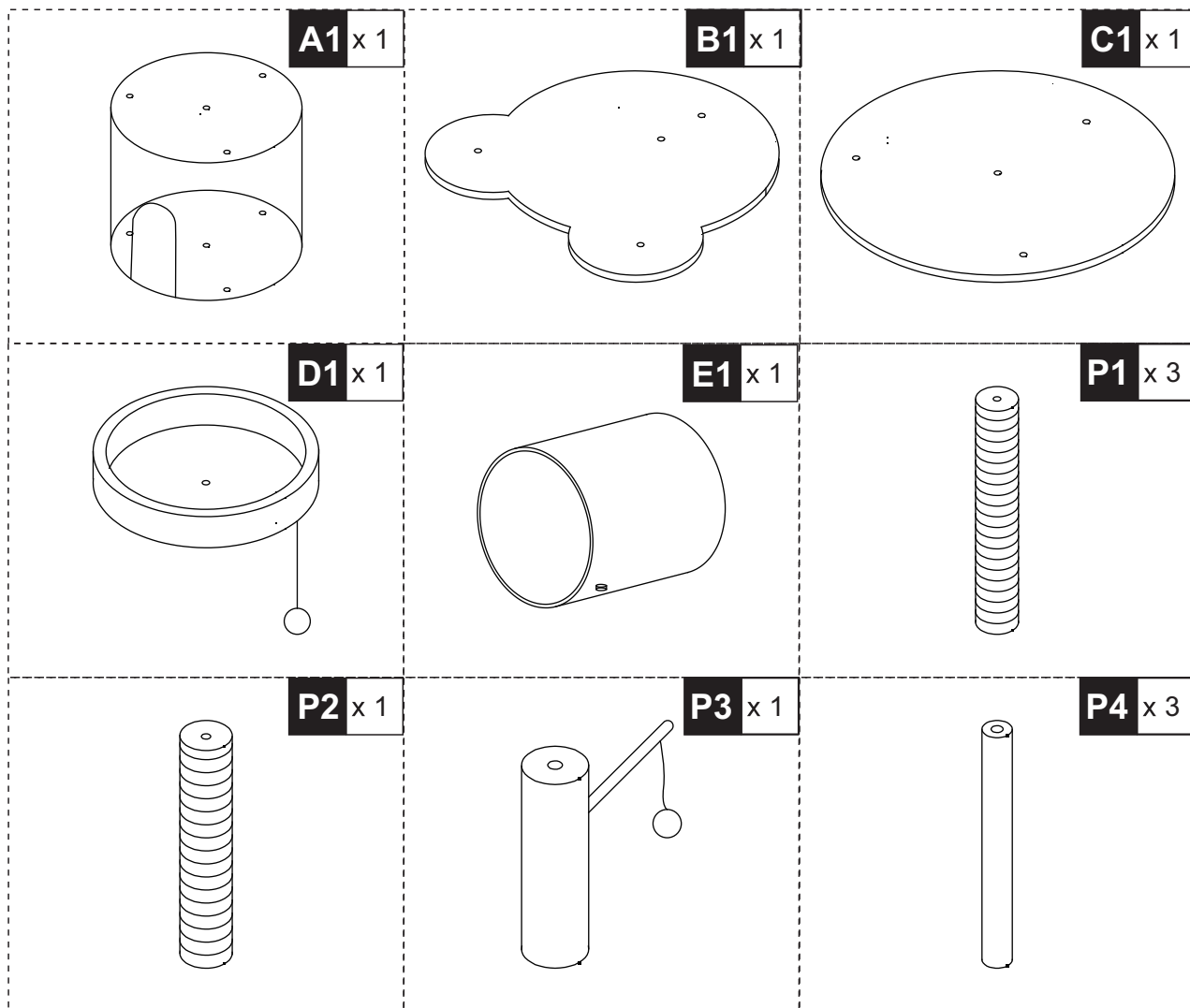
D30-486



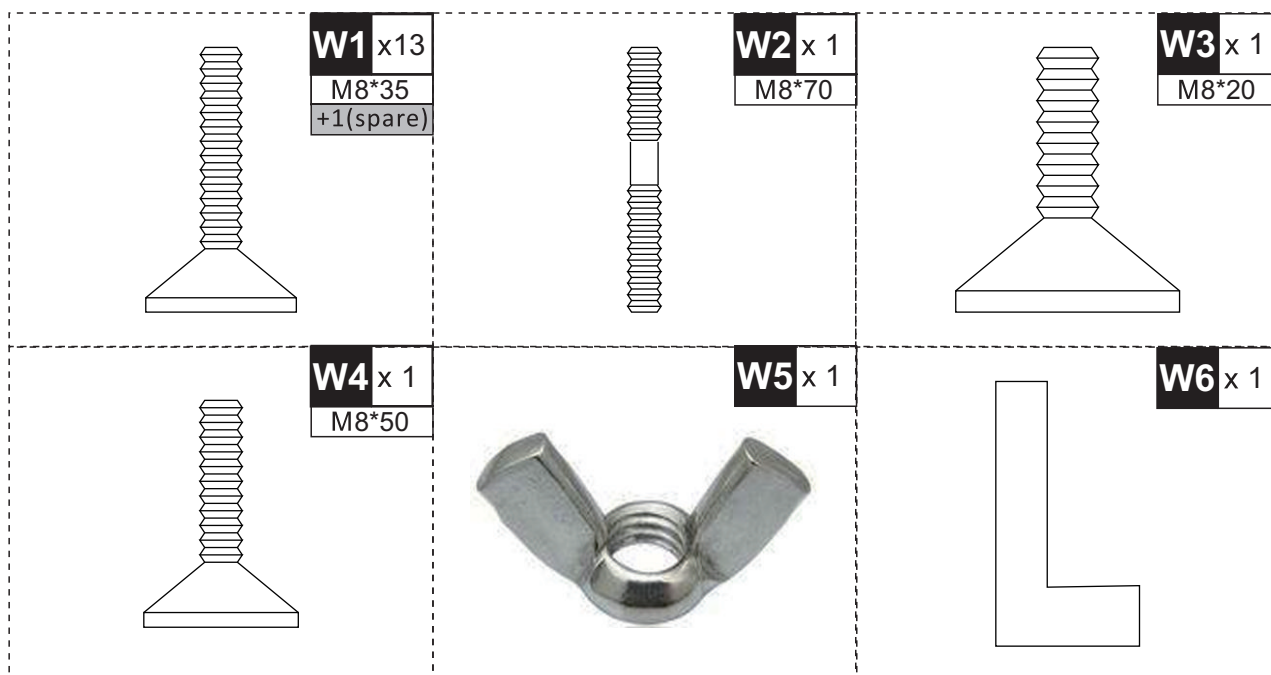
IMPORTANT, RETAIN FOR FUTURE REFERENCE: READ CAREFULLY

ASSEMBLY & INSTRUCTION MANUAL

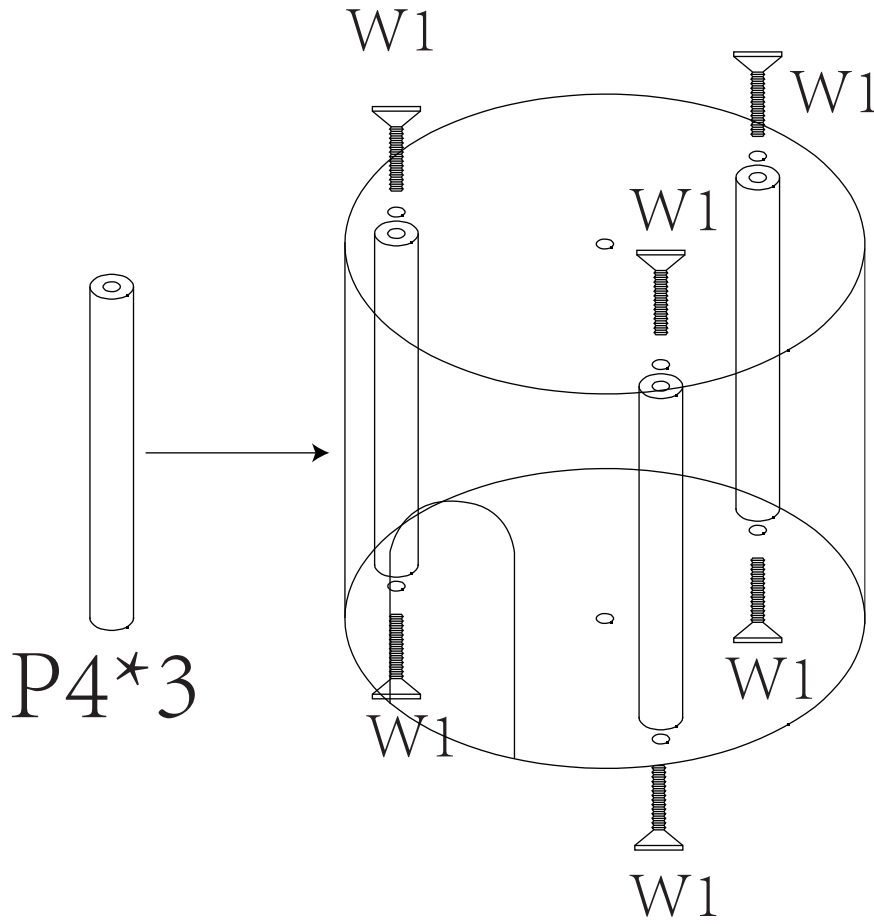
PARTS



HARDWARE



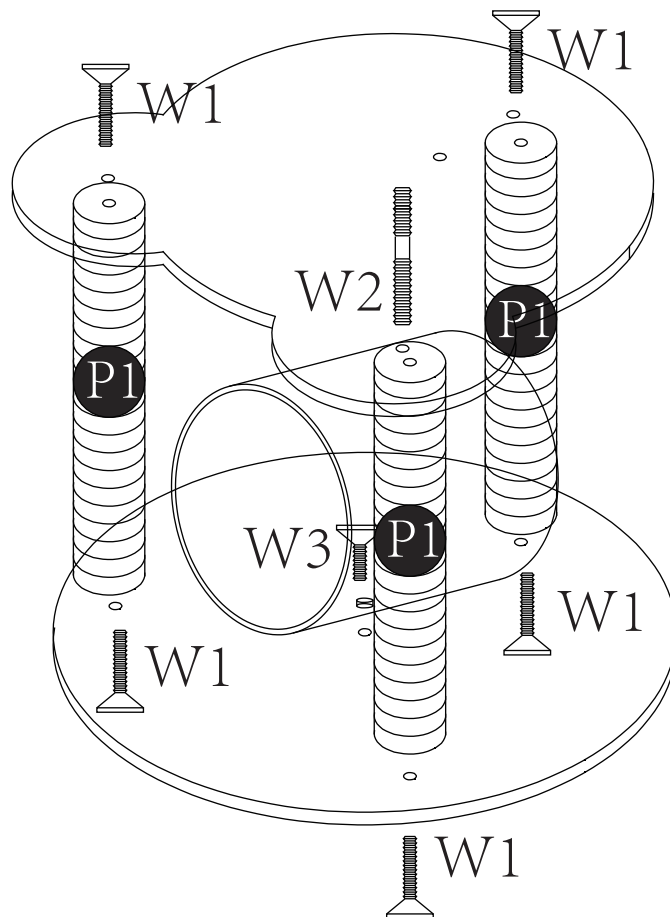
W1 x 6
M8*35



W1 x 5
M8*35

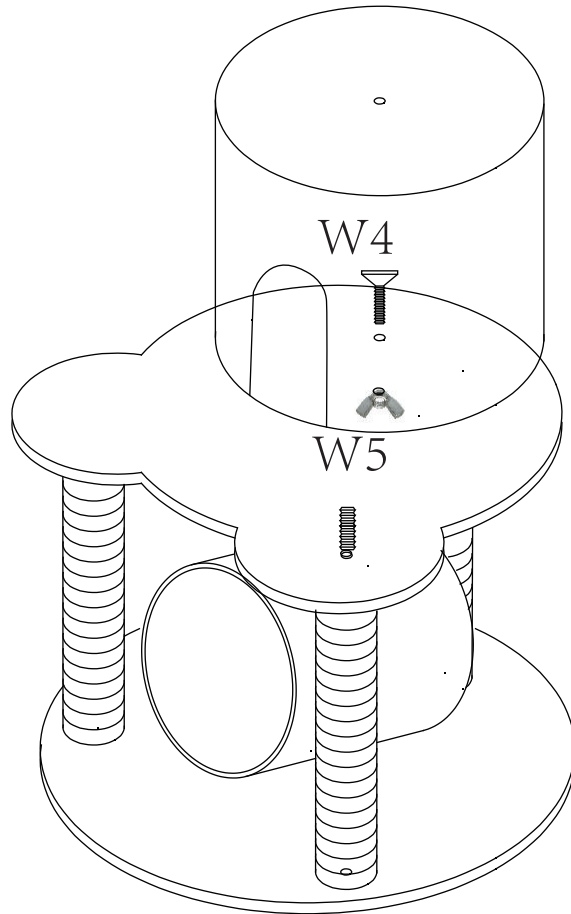
W2 x 1
M8*70

W3 x 1
M8*20



W5 x 1

W4 x 1
M8*50



W1 x 2
M8*35

Done

