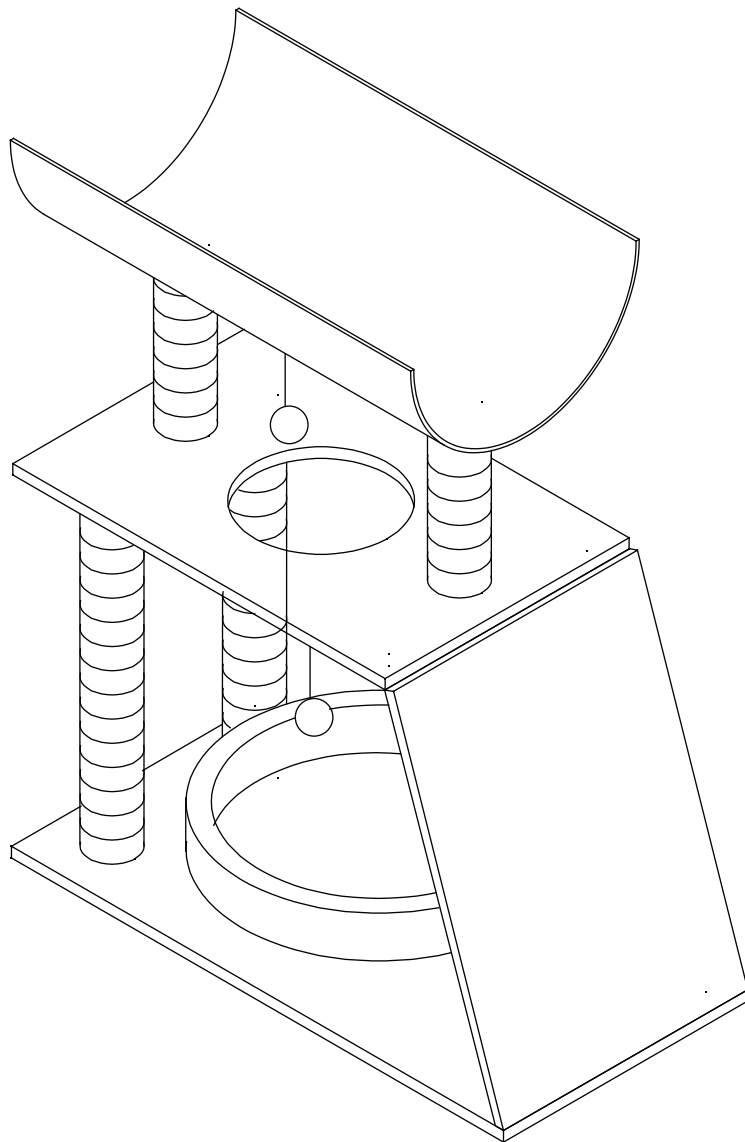


PawHut

INdha188_GL

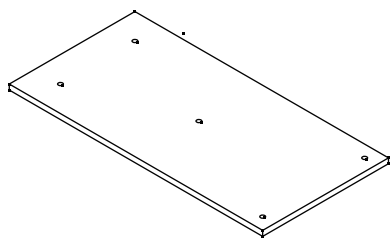
D30-488



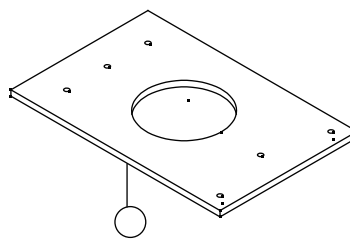
IMPORTANT, RETAIN FOR FUTURE REFERENCE: READ CAREFULLY

ASSEMBLY & INSTRUCTION MANUAL

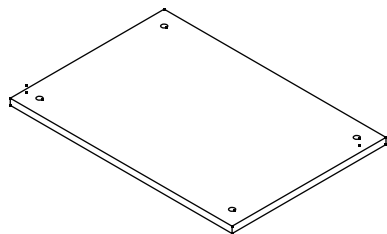
PARTS



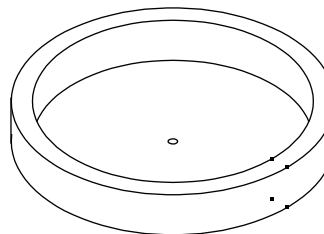
A1 x 1



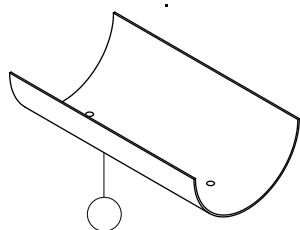
B1 x 1



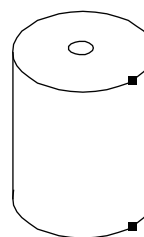
C1 x 1



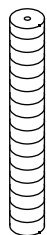
D1 x 1



E1 x 1



P1 x 1

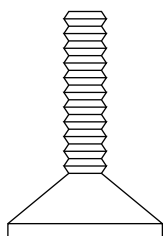


P2 x 2

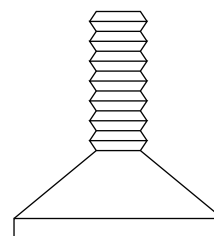


P3 x 2

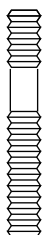
HARDWARE



W1 x 9
M8*40
+1(spare)



W2 x 8
M8*15
+1(spare)



W3 x 1
M8*53



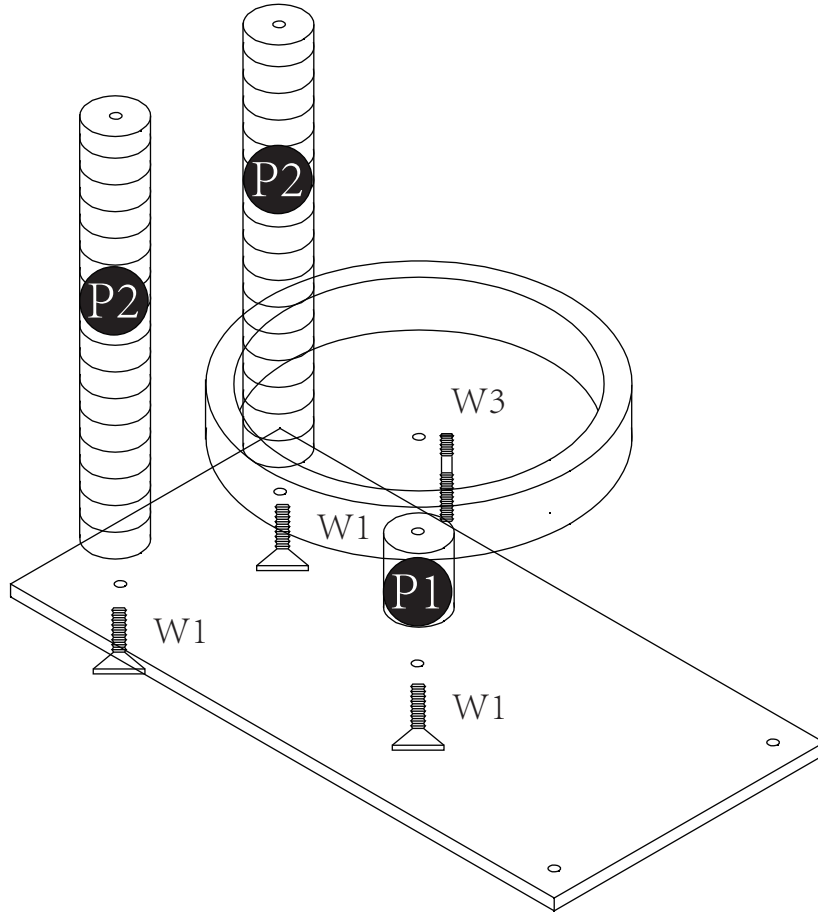
W4 x 4



W5 x 1

W1 x 4
M8*40

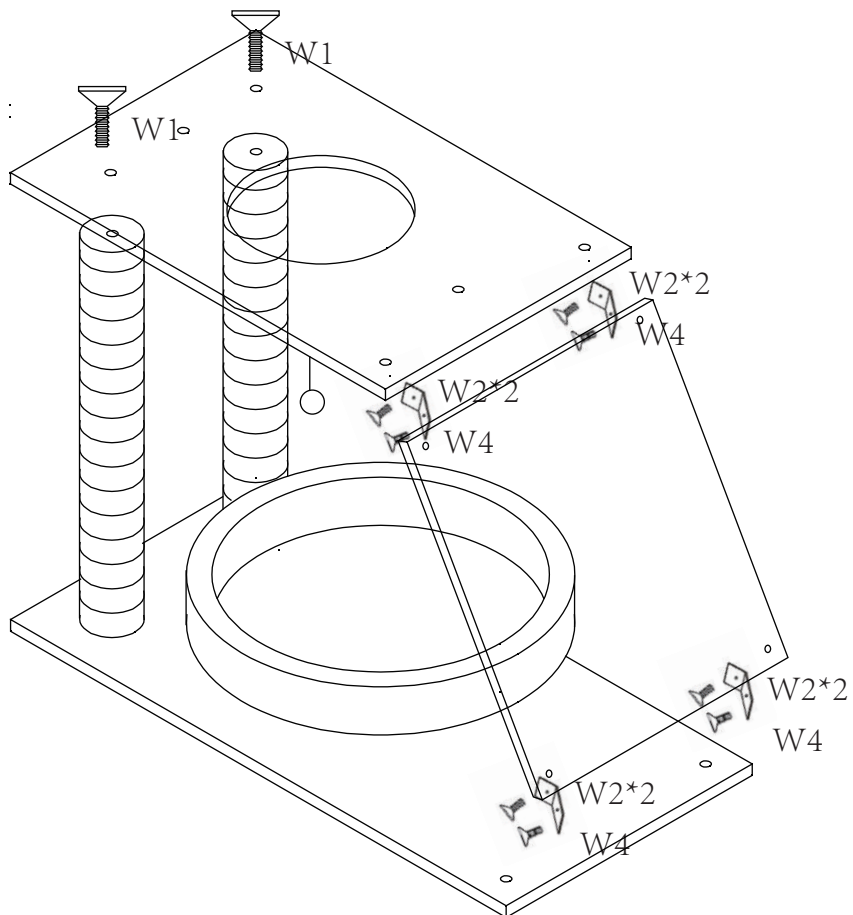
W3 x 1
M8*53



W1 x 2
M8*40

W2 x 8
M8*15

W4 x 4



W1 x 4
M8*40

