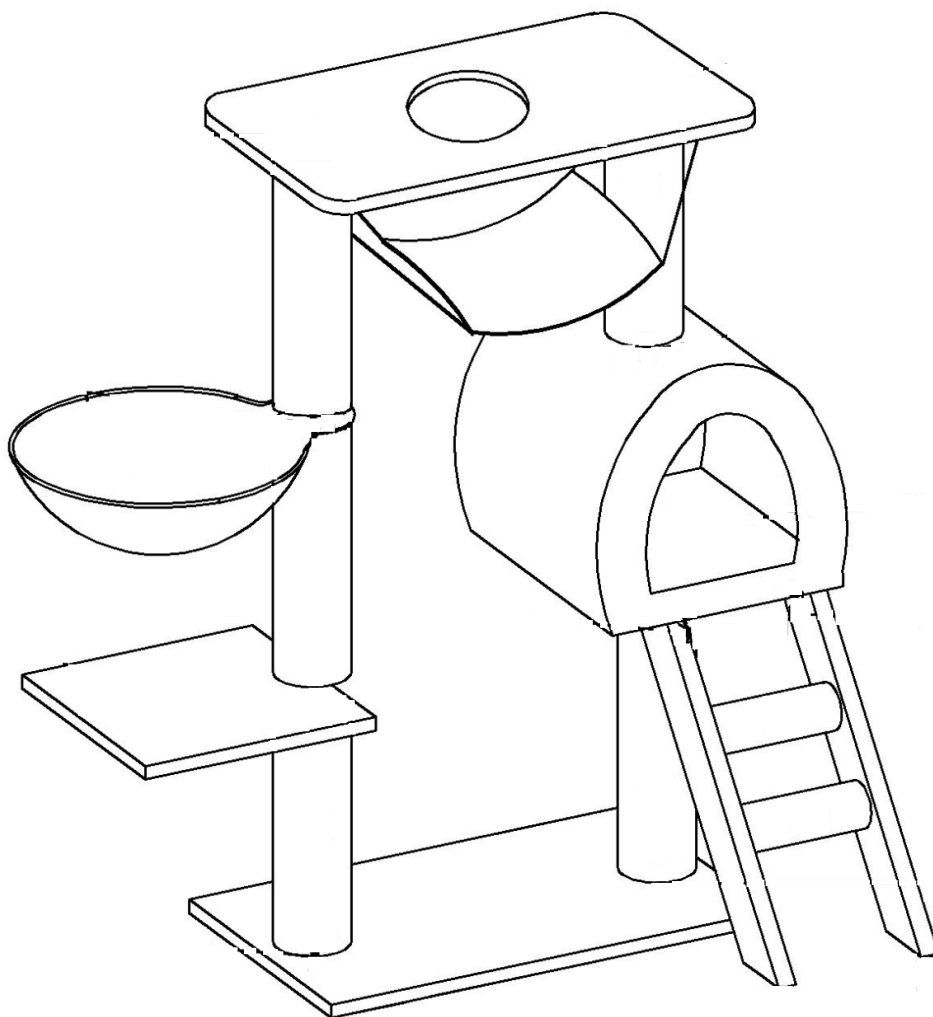


PawHut

INdha191_GL

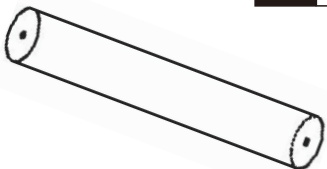
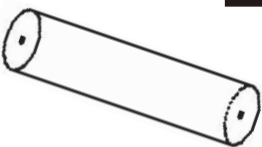
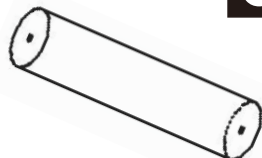



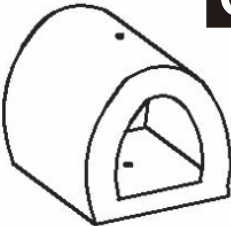

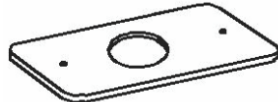



D30-064V01




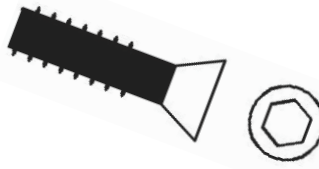


IMPORTANT, RETAIN FOR FUTURE REFERENCE: READ CAREFULLY

ASSEMBLY & INSTRUCTION MANUAL

PARTS

 <p>A x 1</p>	 <p>B x 2</p>	 <p>C x 2</p>
 <p>D x 2</p>	 <p>E x 1</p>	 <p>F x 1</p>
 <p>G x 1</p>	 <p>H x 1</p>	 <p>H x 1</p>
 <p>G x 1</p>	 <p>H x 2</p>	 <p>H x 2</p>

HARDWARE

 <p>1 x 4 M6*16</p>	 <p>2 x 8 M8*40 +1(spare)</p>
 <p>3 x 2 M8*80</p>	 <p>4 x 1</p>

