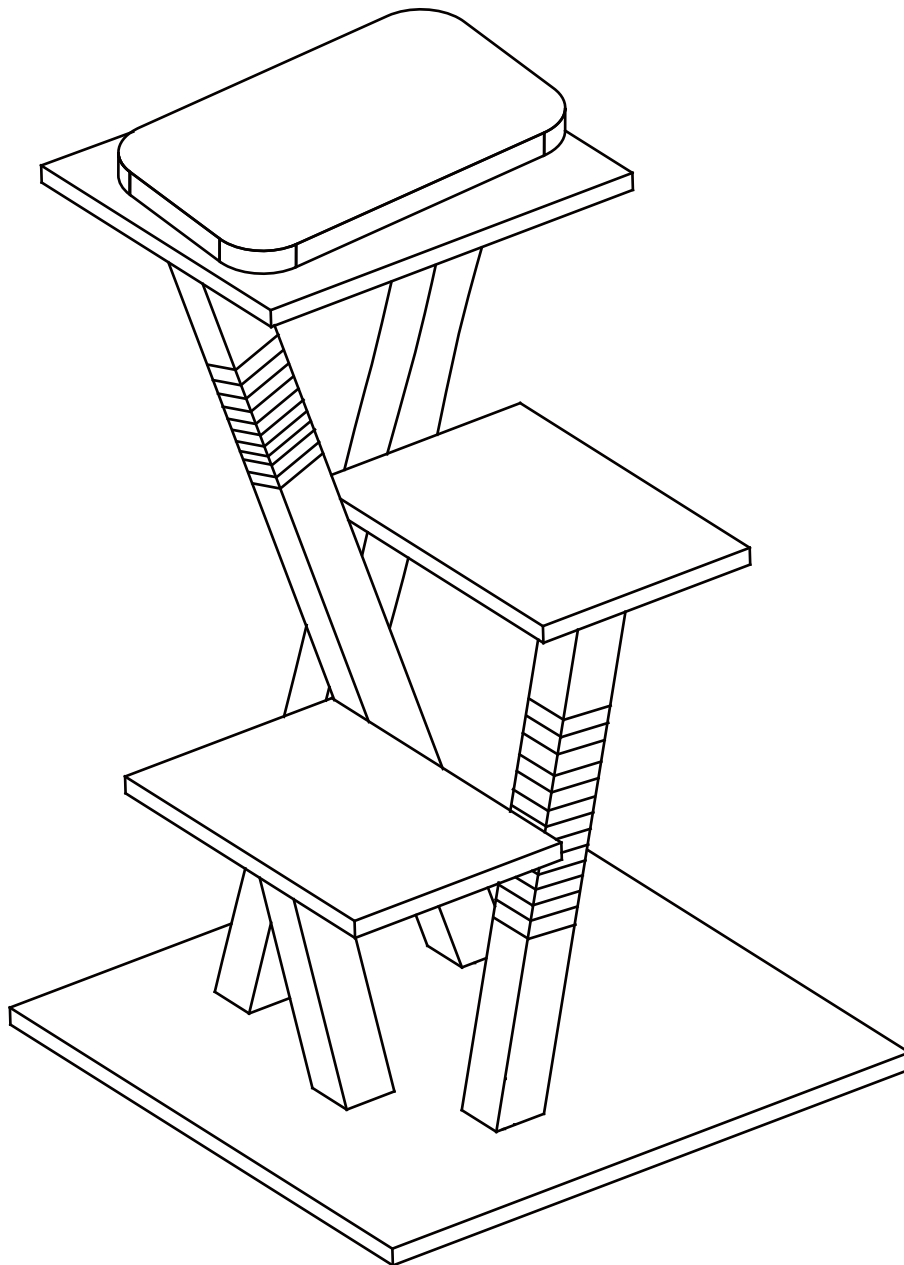


# PawHut

INdha194V01\_GL

**D30-494**

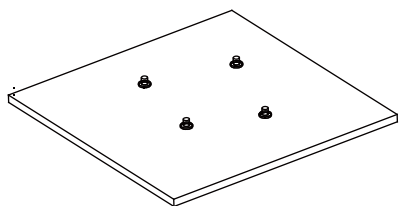


IMPORTANT, RETAIN FOR FUTURE REFERENCE: READ CAREFULLY

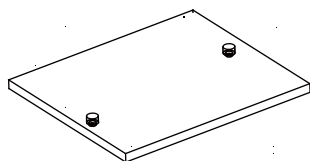
## ASSEMBLY & INSTRUCTION MANUAL

**PARTS**

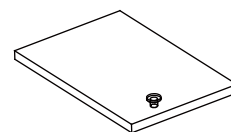
**A** x 1



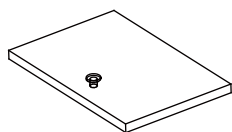
**B** x 1



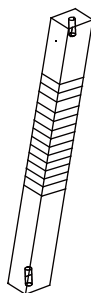
**C** x 1



**D** x 1



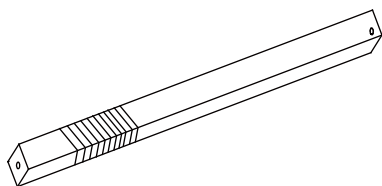
**E** x 1



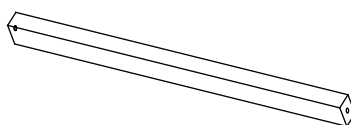
**F** x 1



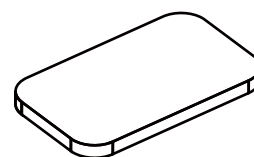
**G** x 1



**H** x 1

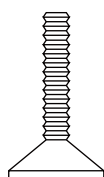


**I** x 1

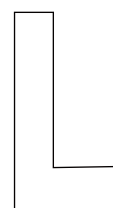


**HARDWARE**

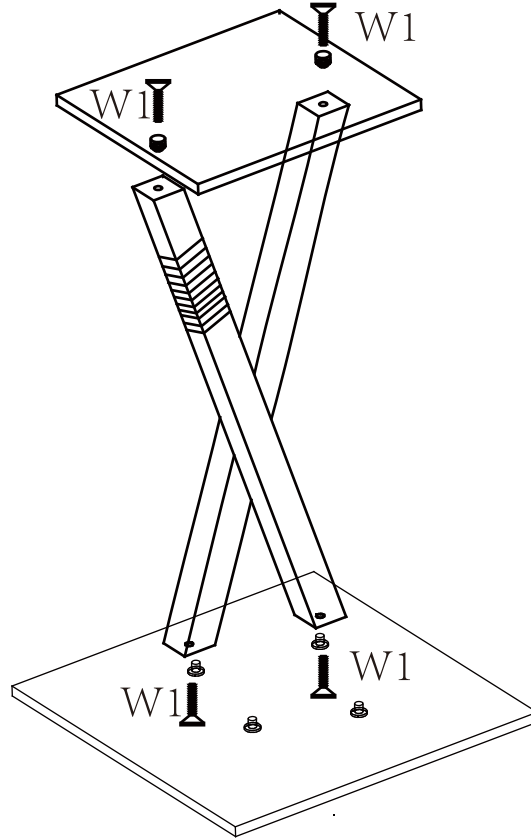
**W1** x 8  
M8\*40  
+1(spare)



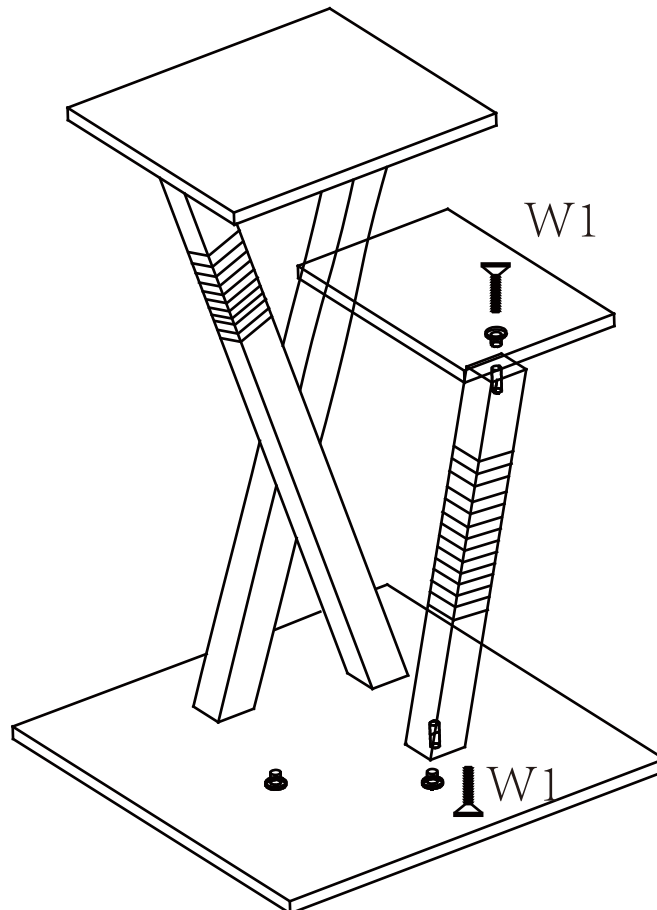
**W2** x 1



W1 x 4  
M8\*40



W1 x 2  
M8\*40



W1x2  
M8\*40

