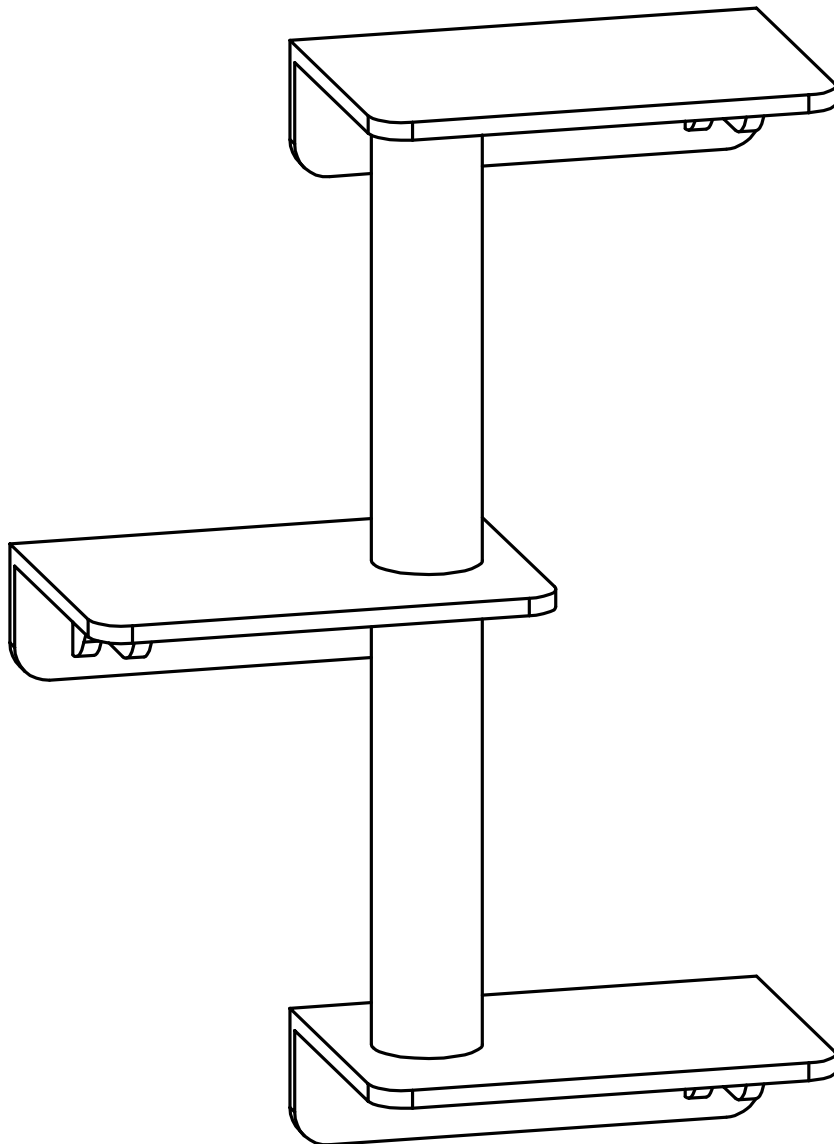


PawHut

INdha196_GL

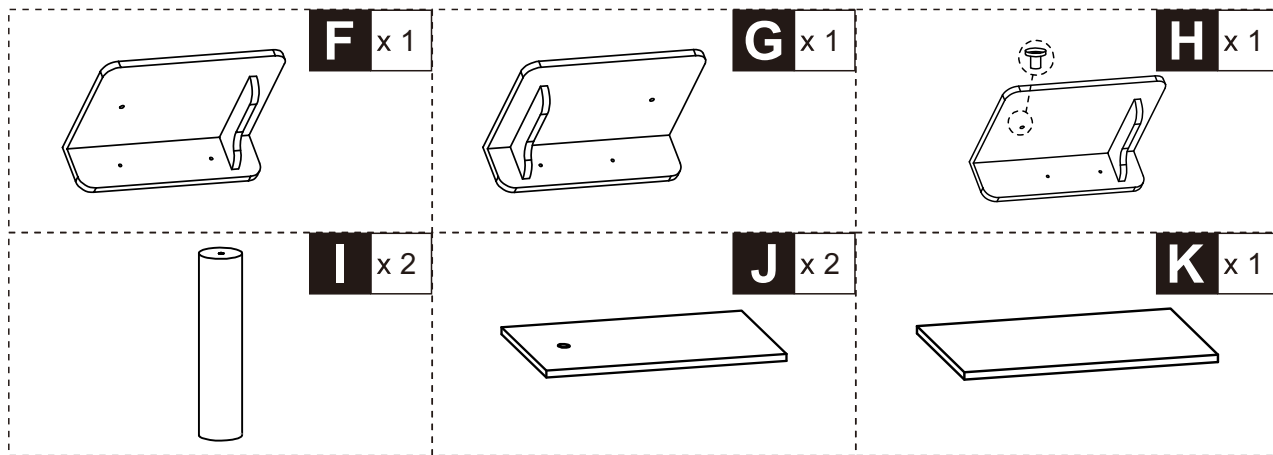
D30-515



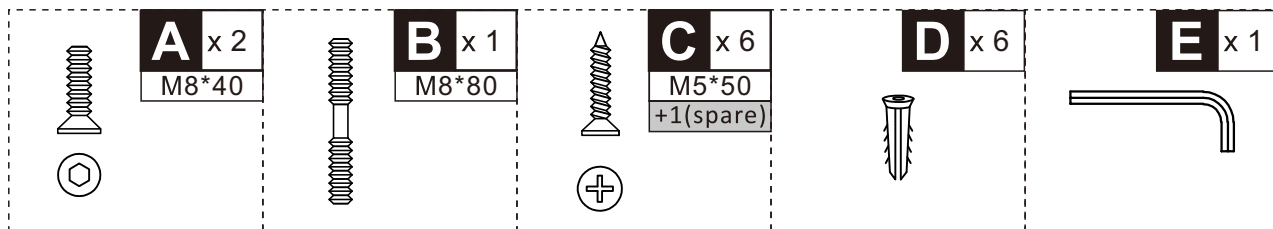
IMPORTANT, RETAIN FOR FUTURE REFERENCE: READ CAREFULLY

ASSEMBLY & INSTRUCTION MANUAL

PARTS

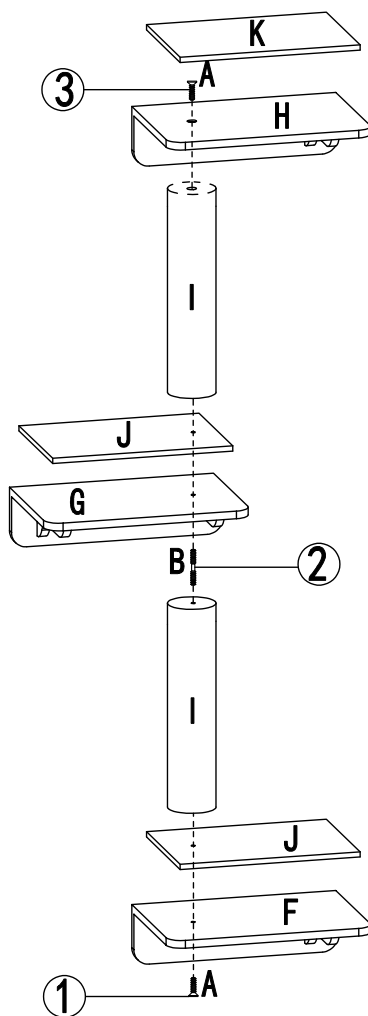


HARDWARE



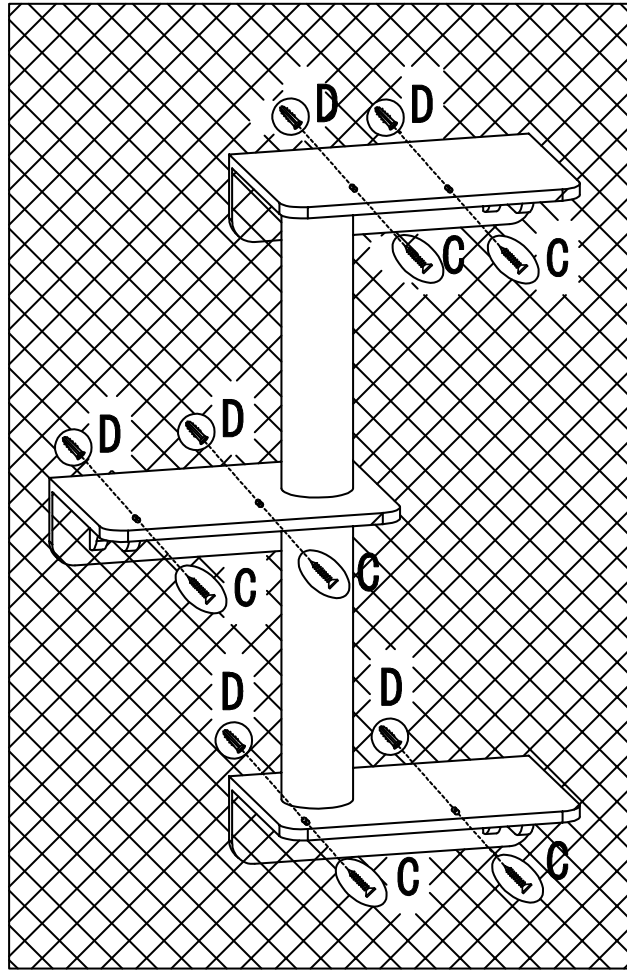
- A x 2
- B x 1
- F x 1
- G x 1
- H x 1
- I x 2
- J x 2
- K x 1

01



C x 6
D x 6

02



Done

