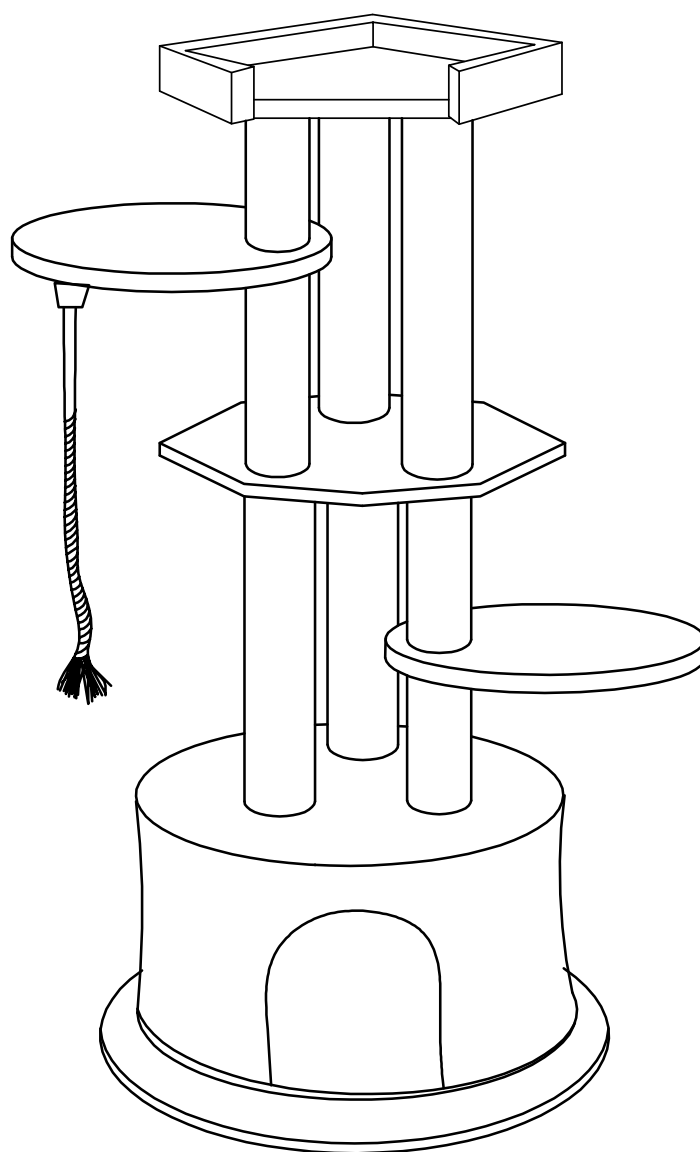


# PawHut

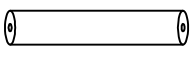
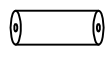
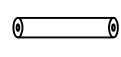
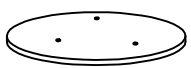

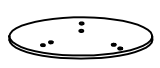
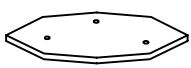
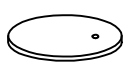
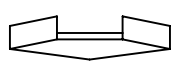
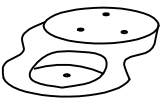


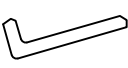

INdhb045\_GL

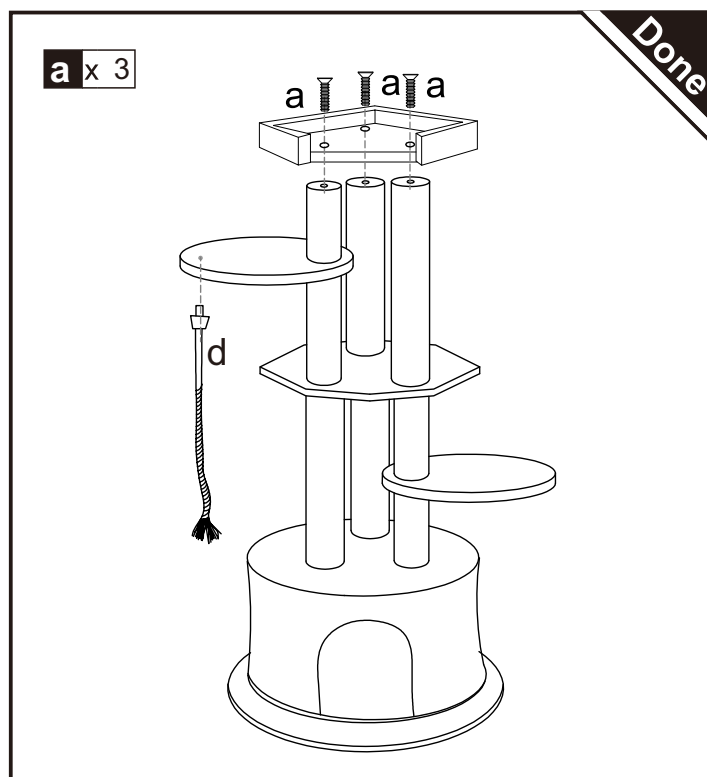
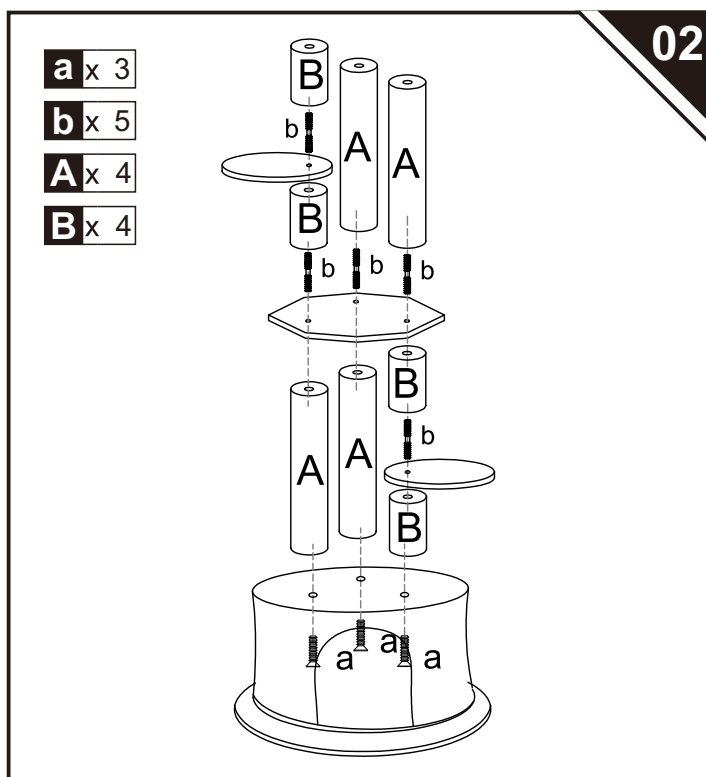
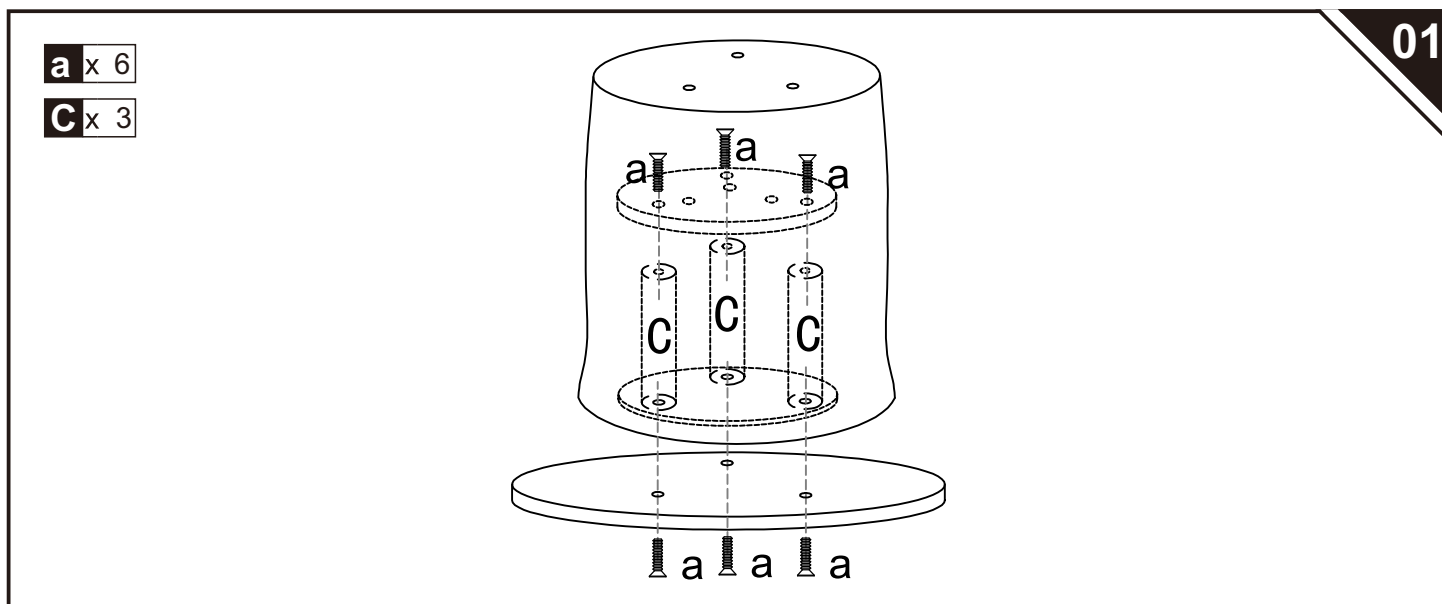
**D30-355**



READ AND SAVE THIS INSTRUCTIONS FOR FUTURE USE

## ASSEMBLY & INSTRUCTION MANUAL

<b>A</b> x 4  H51CM	<b>B</b> x 4  H25CM	<b>C</b> x 3  H28CM	<b>D</b> x 1 
<b>E</b> x 1 	<b>F</b> x 1 	<b>G</b> x 1 	<b>H</b> x 2 
<b>I</b> x 1 	<b>J</b> x 1 	<b>a</b> x 12  M8*40	<b>b</b> x 5  M8*80
<b>c</b> x 1 	<b>d</b> x 1 		



US



001-877-644-9366  
customerservice@aosom.com

CA



001-855-537-6088  
customerservice@aosom.ca

UK



0044-800-240-4004  
enquiries@mhstar.co.uk

DE



0049-(0)40-88307530  
service@aosom.de

FR



0033-1-84166106  
contact@aosom.fr

ES



0034-931294512  
atencioncliente@aosom.es

IT



0039-0249471447  
clienti@aosom.it