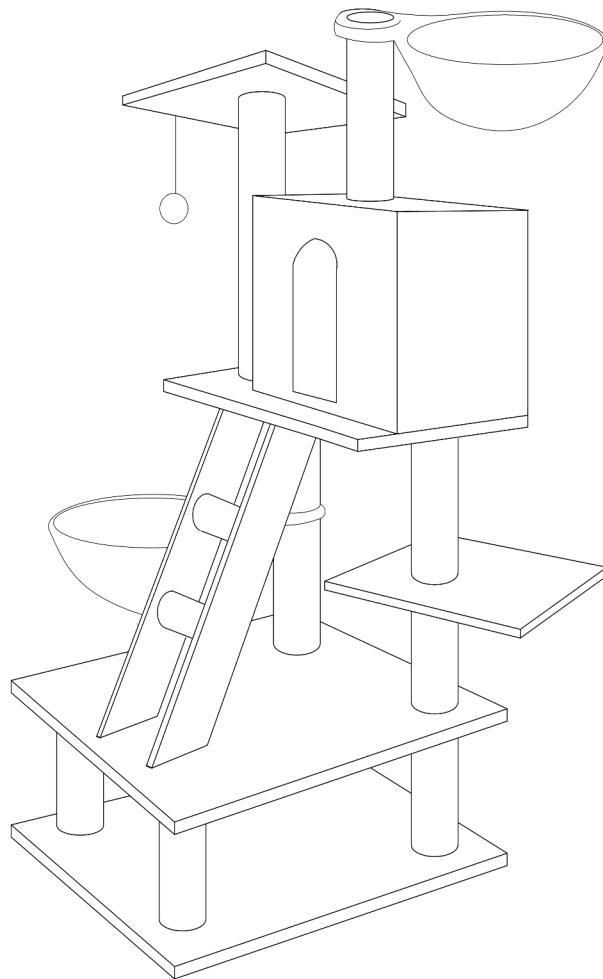


# PawHut®

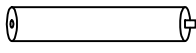
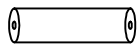
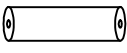
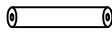
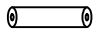
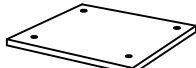


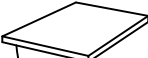


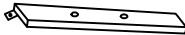


D30-268





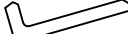


Please read these instructions and warranty information carefully before use and keep them properly for future reference.

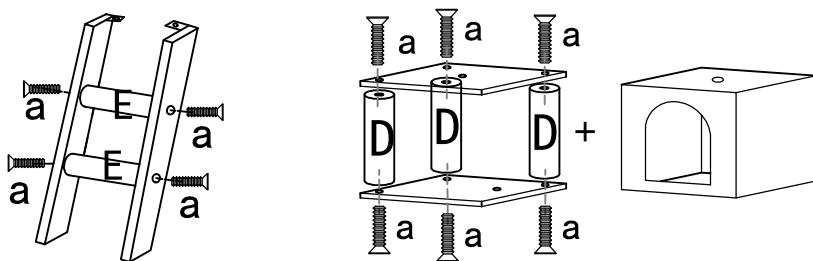
OPERATING INSTRUCTIONS

# Assembly Instructions

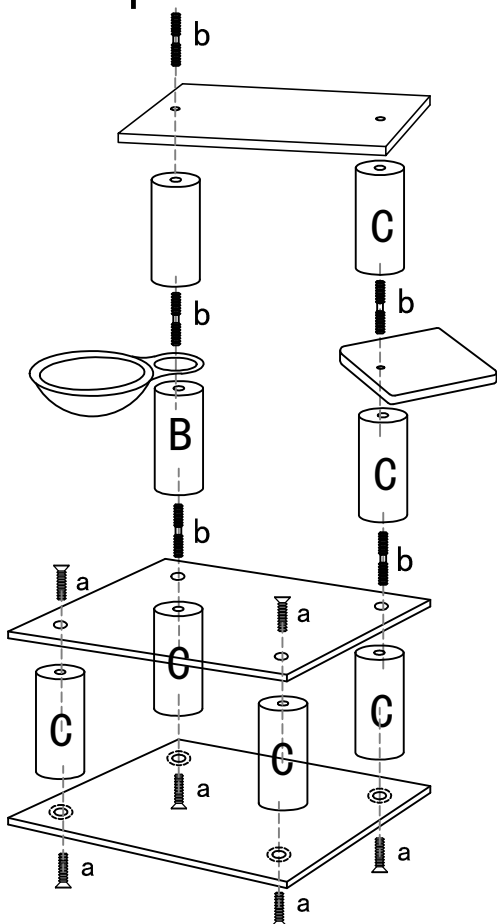
 <b>A</b> H38CM 1 PC	 <b>B</b> H22.9CM 2 PCS	 <b>C</b> H22.5CM 7 PCS	 <b>D</b> H25CM 3 PCS	 <b>E</b> H16CM 2 PCS	 2 PCS
 1 PC	 2 PCS	 1 PC	 1 PC	 2 PCS	 2 PCS
 1 PC	 1 PC				

Accessory	Size
<b>a</b> 	M8*40 18 PCS
<b>b</b> 	M8*80 5 PCS
<b>d</b> 	M8*60 1 PC
<b>e</b> 	M8*15 2 PCS
	SPANNER 1 PC

## step 1



## step 2



## step 3

